

! Contact our sales office for delivery dates and prices as this is a special model.

Specialized Product

Point to Group  
**P.G.** information

# 5-Port Solenoid Valve with Main Valve Position Detection *SY5100-X30*

## Features

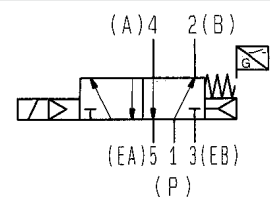
- **The main valve position is detected by the switch.**  
Main valve position when the valve is OFF: Signal output  
Main valve position when the valve is ON: No signal output
- **Can be used as an interlock signal**



\* The sub-plate is ordered separately.

M8/M12 connector available

## Symbol



## Caution

To ensure the safest possible operation of this product, please be sure to thoroughly read the "Safety Instructions" in our "Best Pneumatics" catalog before use.

**SMC Corporation** 4-14-1, SOTO-KANDA, CHIYODA-KU, TOKYO 101-0021, JAPAN URL: <http://www.smcworld.com>  
©2018 SMC Corporation All Rights Reserved



SP181X-006E  
P: WY

### How to Order

**SY5100**    - **5**    **1** - **M9** **N** **W** **S** **A** **PC** - **X30**

Pilot

|            |                |
|------------|----------------|
| <b>Nil</b> | Internal pilot |
| <b>R</b>   | External pilot |

Light/Surge voltage suppressor and common specifications

| Symbol     | With light | Surge voltage suppressor | Common specifications |
|------------|------------|--------------------------|-----------------------|
| <b>Nil</b> | —          | —                        | Non-polarity          |
| <b>R</b>   | —          | —                        |                       |
| <b>U</b>   | ●          | ●                        | Positive common       |
| <b>S</b>   | —          |                          |                       |
| <b>Z</b>   | ●          |                          | Negative common       |
| <b>NS</b>  | —          |                          |                       |
| <b>NZ</b>  | ●          |                          |                       |

Connector specifications

|          |           |
|----------|-----------|
| <b>A</b> | M8-3 pin  |
| <b>B</b> | M8-4 pin  |
| <b>D</b> | M12-4 pin |

Cable length

|          |       |
|----------|-------|
| <b>S</b> | 0.5 m |
| <b>M</b> | 1.0 m |

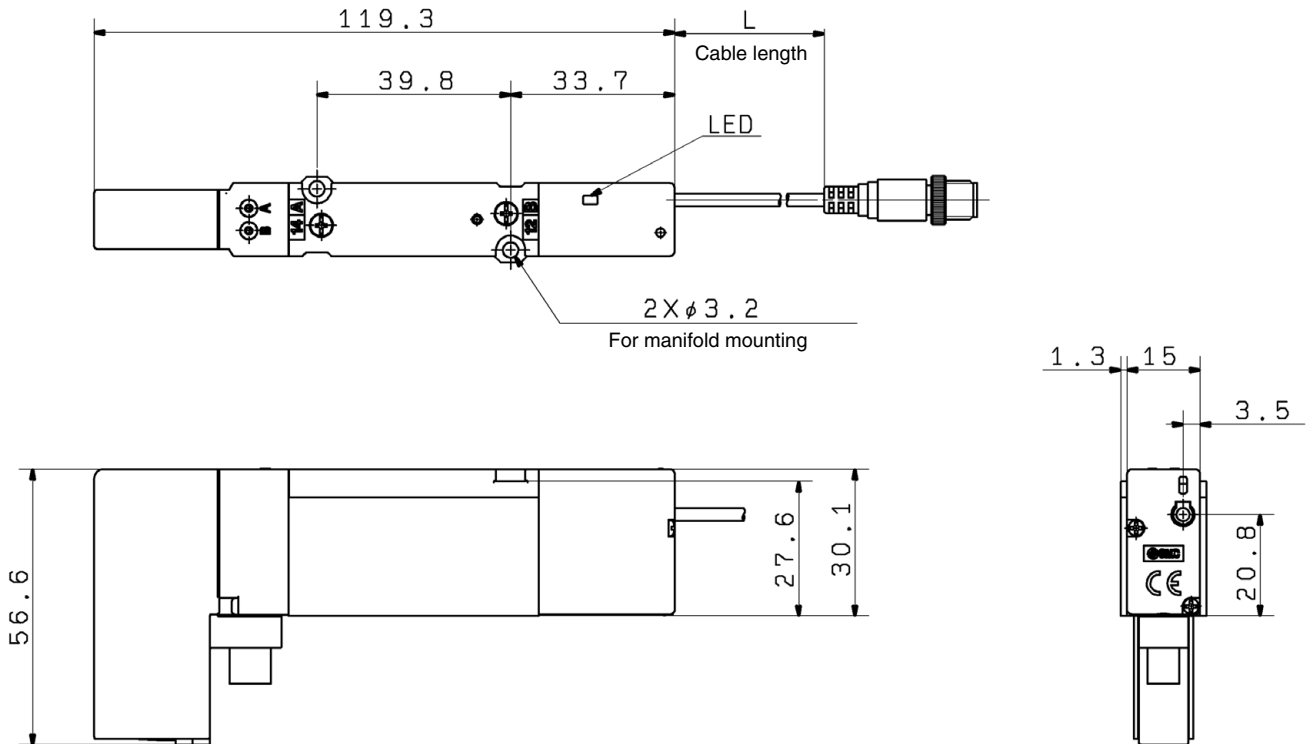
Wiring/Output type (Auto switch)

|          |            |
|----------|------------|
| <b>N</b> | 3-wire/NPN |
| <b>P</b> | 3-wire/PNP |
| <b>B</b> | 2-wire     |

\* For details on auto switches, refer to the catalog of the 2-color indicator solid state auto switch/direct mounting type (D-M9□W).

### Dimensions

[mm]



| Connector       | M8-3 pin | M8-4 pin | M12-4 pin |
|-----------------|----------|----------|-----------|
| Pin arrangement |          |          |           |

### Connector pin assignment

| Wiring/Output type | Sensor type    | Meaning of contact number |       |        |         |
|--------------------|----------------|---------------------------|-------|--------|---------|
|                    |                | 1 pin                     | 2 pin | 3 pin  | 4 pin   |
| N/P                | DC 3-wire type | DC (+)                    | —     | DC (-) | OUT     |
| B                  | DC 2-wire type | OUT (+)                   | —     | —      | OUT (-) |

