



Tmax. T Generation

Low voltage molded case
circuit breakers up to 1200 A

UL 489 and CSA C22.2 Standard

1SDC210023D0201 – 2008 edition





Main characteristics

1



The ranges

2



Accessories

3



Characteristic curves and technical information

4



Wiring diagrams

5



Overall dimensions

6



Ordering codes

7

T GENERATION

TMAX. ADAPTABILITY AND VERSATILITY.



Tmax is freedom. Freedom now reaching up to 1200 A with the new Tmax T7 circuit breaker. There's a boundless and highly diversified world of differing types of installations, requirements, needs and problems from 15 to 1200 A. With the T Generation everything becomes simple and rational – eight sizes to find the solutions you're looking for.

BE FREE TO SIZE ANY TYPE OF INSTALLATION IN AN IDEAL WAY AT ALL TIMES.

Thanks to the eight sizes and a complete series of magnetic

only, thermal magnetic and electronic trip units. Also a wide range of accessories are available together with the possibility of selecting dedicated families for all market applications, even the most specific and advanced.

BE FREE TO INSTALL ALL SIZES WITHOUT DIFFICULTY.

T Generation is undeniably the family of molded case circuit breakers with the best performance/size ratio available on the market.

ATION



This means there is more space there is for cabling and simpler installation. There is also a reduction in the dimensions of the switchboard.

BE FREE TO RIDE THE MOST ADVANCED TECHNOLOGY.

It is thanks to this technology that T Generation now offers performance levels that were previously out of the question in circuit breakers with these dimensions. There are also some exclusive technical solutions which only ABB

can offer you, such as the brand new UL 489 supplement SE electronic trip units designed for the new Tmax T7 or the new rapid accessory fitting system.

FREEDOM FOR TOTALLY SAFE SELECTION.

The safety of knowing that behind Tmax there is ABB's strong and constant commitment to the search for excellence at the base of each product and service. ABB quality.

TMAX T1, T2, Ts3 AND T3. ALL SOLUTIONS PERFECTLY COORDINATED, UP TO 225 A.

Tmax T1, T2, Ts3 and T3 – the four “little ones” of the Tmax family – were thought up from the beginning to work together. You can select functions and performances which until now could not be found in circuit breakers with these dimensions. Perfect up to 225 A.

There are many characteristics common to the T1, T2 and T3 frames. The single depth 2.76" (70 mm) of the three frames makes installation truly simpler. The new arcing chambers are produced with a gasifying material and an innovative construction system allows the arc extinction time to be reduced. All three sizes are fitted with standard adjustment of the thermal threshold and have new three-pole and four-poles designed and constructed to optimize space in the switchboard and simplify coupling with the circuit breaker.

Tmax T1, T2 and T3 have a completely standardized range of accessories.



TMAX T1. THE LITTLE ONE THAT'S REALLY BIG.
Thanks to its extremely compact dimensions, Tmax T1 is a unique circuit breaker in its category. Compared to any other



circuit breaker with the same performance (100 A – up to 50 kA at 240 VAC), the overall dimensions of the apparatus are notably smaller.

TMAX T2. INTELLIGENCE AND HIGH PERFORMANCE IN THE PALM OF YOUR HAND.

Tmax T2 is the only 100 A circuit breaker available with such high performances in such compact overall dimensions. A breaking capacity of 150 kA at 240 VAC can be achieved. Tmax T2 can also be fitted with a latest generation electronic trip unit.



TMAX T3. 225 A IN A DEPTH OF 2.76" (70 MM) FOR THE FIRST TIME.

Tmax T3 is the first circuit breaker which carries 225 A in considerably smaller overall dimensions compared to any other similar device – a large step forward for this type of breaker.

TMAX Ts3

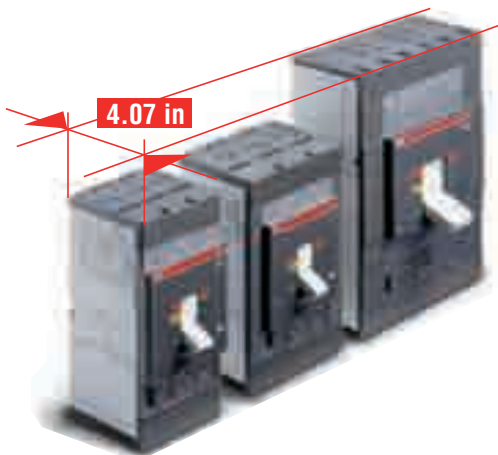
ABB Tmax Ts3 circuit breaker, in the 150 A frame, can be used at 600 VAC providing excellent interrupting rating performance. The possibility of having circuit breakers certified for use at this voltage allows perfect standardization of the apparatus both on the US and the Canadian market, where 600 V is most widely used.

TMAX T4, T5 AND T6. BE FREE TO CHOOSE UP TO 800 A.



Tmax T4, T5 and T6 are the molded case circuit breakers with the best performance/size ratio on the market. The possibilities are practically unlimited, thanks to their dedicated and specific ranges, advanced electronics, as well as a complete and standardized range of accessories.

The top quality materials and innovative construction techniques used by ABB mean Tmax circuit breakers can guarantee truly exceptional performance. For example, T4 and T5 have an interrupting capacity up to 150 kA at 480 VAC.



The series of electronic trip units, equipped with latest generation technology, offers solutions exclusive to ABB. T4, T5 and T6 have the same depth, simplifying their use in switchboards, and also have a complete, standardized and unified range of accessories, simplifying selection, making them more flexible and reducing stock item count.

TMAX T7. FREEDOM TO THE NTH DEGREE.



The new Tmax T7, available up to 1200 A either with a manual operating mechanism or motor operator, was conceived with a revolutionary design for circuit breakers of this type: advanced electronics, exceptional performance and new installation and accessory solutions.

Tmax T7's flexibility is absolutely exceptional: it can be installed both vertically and horizontally (in both fixed and draw out versions) with all types of terminals and a new, faster and safer racking-out system for moving parts.

Additionally, cabling is facilitated by the reduced height. The new rapid accessory wiring system is great news. There are no loose wires inside the circuit breaker. Connection to the external circuit is rapid, simple and safe and no screws for terminating the external power supply cables are needed.

The new cable interlock provides notable benefits in terms of flexible applications. By using this accessory it is possible to interlock two circuit breakers in any position and to interlock a T7 with an Emax power circuit breaker as well.



Special attention has been paid to the electronics and the results are the PR231, PR232, PR331 and PR332 new interchangeable electronic trip units, with modules and rating-plugs which can be replaced by the customer.



The PR231 and PR232 trip units, with dip-switches for setting the protection thresholds, offer LEDs to signal tripping for each protection function: so the reason for circuit breaker tripping can always be easily found. The PR332 is decidedly ahead of its time fitted with a large graphic display, it allows all the information needed to be displayed simply and clearly. It also offers advanced protection functions. For example, the exclusive data logger function allows all the events and values before the fault to be recorded for later analysis.





Main characteristics



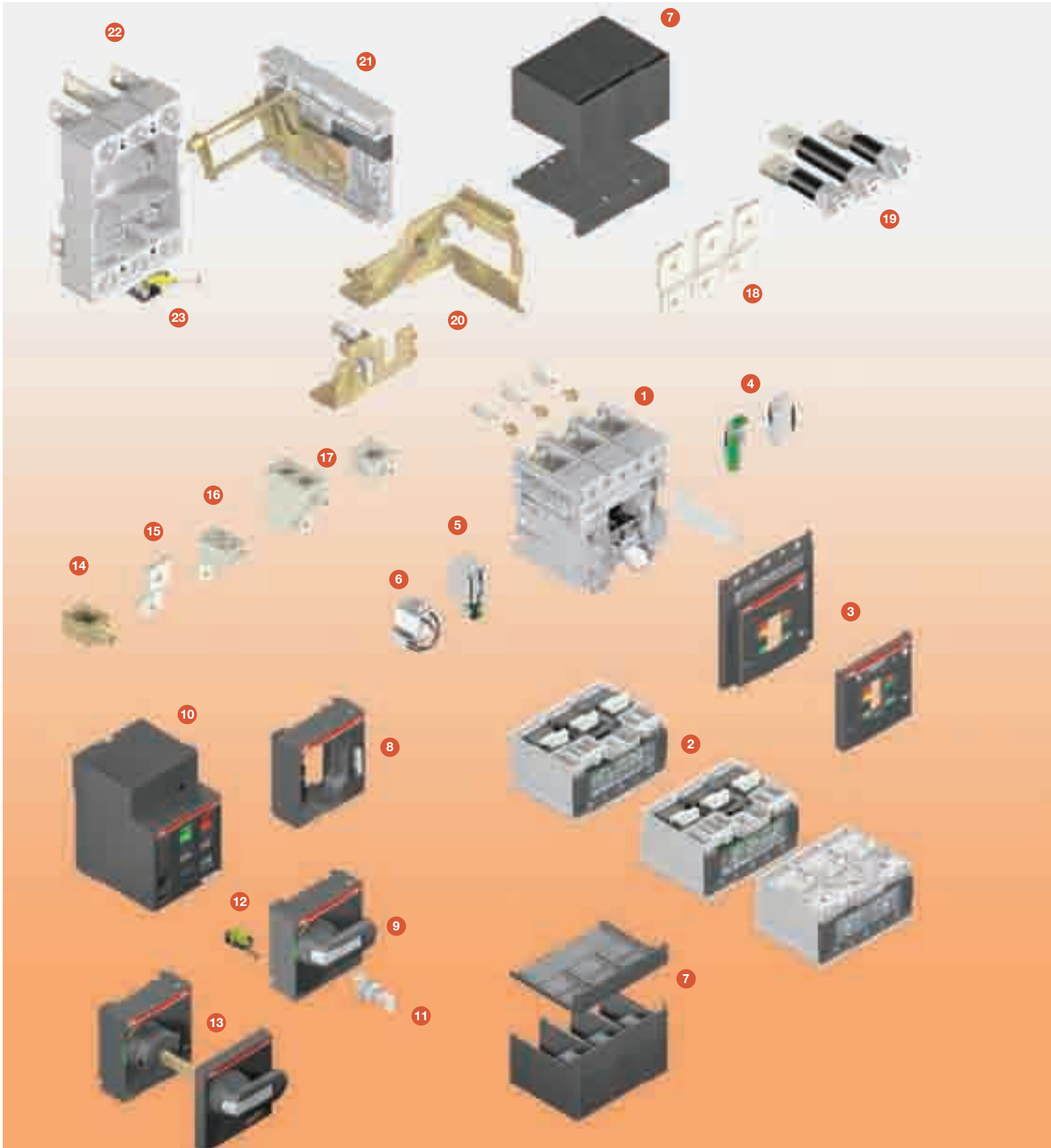
Index

Overview of the Tmax family	1/2
General	1/4
Construction characteristics	
Distinguishing features of the series	1/6

Construction characteristics

Modularity of the series

1





Starting from the fixed version circuit breaker, all the other versions used for various requirements are obtained by means of mounting conversion kits.

The following are available:

- kit for converting a fixed circuit breaker into the moving part of a plug-in and draw out one
- circuit breaker cradles for plug-in and draw out circuit breakers
- conversion kit for the connection terminals.

Various accessories are also available:

1. Frame
2. Trip units
3. Front plate
4. Auxiliary contacts - AUX and AUX-E
5. Undervoltage release - UVR
6. Shunt trip - SOR and P-SOR
7. Terminal covers
8. Front for lever operating mechanism - FLD
9. Direct rotary handle - RHD
10. Stored energy motor operator - MOE
11. Key lock - KLF
12. Early auxiliary contact - AUE
13. Transmitted rotary handle - RHE
14. Front terminal for copper cable - FC Cu
15. Front extended terminal - EF
16. Multi-cable terminal - MC
17. Front terminal for copper-aluminium - FC CuAl
18. Front extended spread terminal - ES
19. Rear orientated terminal - R
20. Conversion kit for plug-in/draw out versions
21. Cradle guide in the draw out version
22. Cradle - FP
23. Auxiliary position contact - AUP
24. Phase separators
25. PR010T
26. TT1
27. Racking out crank handle
28. Residual current release.

1SDC210A18F0001

Construction characteristics

Distinguishing features of the series

1



1SDC210A17F0001

Double insulation

Tmax has double insulation between the live power parts (excluding the terminals) and the front of the apparatus where the operator works during normal operation of the device. The placement of each electrical accessory is completely segregated from the power circuit, preventing any risk of contact with live parts and the operating mechanism is completely insulated from the powered circuits. Furthermore, the circuit breaker has oversized insulation, both between the live internal parts and in the area of the connection terminals. In fact, the distances exceed those required by the IEC Standards and comply with the UL 489 Standard.



1SDC210A18F0001

Positive operation

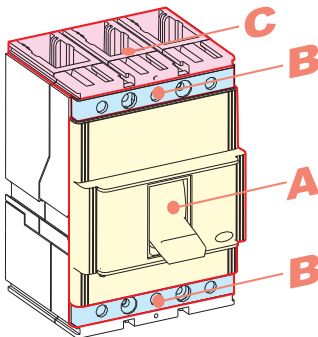
The operating lever always indicates the precise position of the moving contacts of the circuit breaker, thereby providing safe and reliable signals, in compliance with IEC 60073 and IEC 60417-2 Standard (I = Closed; O = Open; yellow-green line = Open due to protection trip). The circuit breaker operating mechanism is trip free regardless of the pressure on the lever. Protection tripping automatically opens the moving contacts: to close them again the operating mechanism must be reset by pushing the operating lever from the tripped position into the reset position.

Isolation behaviour

In the open position, the circuit breaker complies with the IEC 60947-2 Standard. The oversized insulation distances guarantee there are no leakage currents and dielectric resistance to any overvoltages between input and output.



1SDC210A18F0001



1SDC210A20F0001

Degrees of protection

The table indicates the degrees of protection guaranteed by the Tmax circuit breakers according to the IEC 60529 Standard:

	With front	Without front ⁽²⁾	Without terminal covers	With high terminal covers	With low terminal covers	With IP40 protection kit on the front
A	IP 40 ⁽³⁾	IP 20	–	–	–	–
B ⁽⁴⁾	IP 20	IP 20	IP 20	IP 40	IP 40	IP 40
C	–	–	–	IP 40 ⁽¹⁾	IP 30 ⁽¹⁾	–

⁽¹⁾ After correct installation

⁽²⁾ During installation of the electrical accessories

⁽³⁾ Also for front for lever operating mechanism and direct rotary handle

⁽⁴⁾ Only for T1...T6

The cradles are always preset with IP20 degree of protection. IP54 degree of protection can be obtained with the circuit breaker installed in a switchboard fitted with a rotary handle operating mechanism transmitted on the compartment door and special kit (RHE – IP54).

Operating temperature

The Tmax circuit breakers can be used in ambient conditions where air temperature varies between -13 °F and +158 °F (-25 °C and +70 °C), and stored in environments with temperatures between -40 °F and +158 °F (-40 °C and +70 °C).

The circuit breakers fitted with thermal magnetic trip units have their thermal element set for a reference temperature of 104 °F (+40 °C). For temperatures other than 104 °F (+40 °C), with the same setting, there is a deviation table as shown beginning on page 4/50.

The electronic trip units do not undergo any variations in performance as the temperature varies except in cases of temperatures exceeding 104 °F (+40 °C). Then maximum setting for protection against overloads L must be reduced, as indicated in the derating graph beginning on page 4/37, to take into account the heating phenomena which occur in the current carrying copper parts of the circuit breaker.

For temperatures above 158 °F (+70 °C) the circuit breaker performances are not guaranteed. To ensure service continuity of the installations, the temperature must be kept within acceptable levels for operation of the various devices and the circuit breakers by using forced ventilation in the switchboards or in their installation room.



1SDC210A21F0001

Altitude

Up to an altitude of 6600 ft the Tmax circuit breakers do not undergo any changes in their rated performance. Above this altitude, the atmospheric properties are altered in terms of composition, dielectric resistance, cooling capacity and pressure, requiring the circuit breaker performance to be derated per the table below.

Altitude	[ft]	6600	9900	13200	16500
Rated service voltage, Ue	[V~]	600	522	435	348
Rated uninterrupted current, Iu	%Iu	100	98	93	90

Construction characteristics

Distinguishing features of the series

1



Electromagnetic compatibility

Protection operation is guaranteed by using the electronic trip units and the electronic residual current releases in the presence of interference caused by electronic devices, atmospheric disturbances or electrical discharges. No interference with other electronic devices near the place of installation is generated either. This is in compliance with the IEC 60947-2 Appendix B + Appendix F Standards and European Directive No. 89/336 regarding EMC - electromagnetic compatibility.



Tropicalization

Circuit breakers and accessories in the Tmax series are tested in compliance with the IEC 60068-2-30 Standard, carrying out 2 cycles at 131 °F (55 °C) with the “variant 1” method (clause 6.3.3). The suitability of the Tmax series for use under the most severe environmental conditions is therefore ensured with the hot-humid climate defined in the climatograph 8 of the IEC 60721-2-1 Standards thanks to:

- moulded insulating cases made of synthetic resins reinforced with glass fibres;
- anti-corrosion treatment of the main metallic parts;
- Fe/Zn 12 zinc-plating (ISO 2081) protected by a conversion layer, free from hexavalent-chromium (ROHS-compliant), with the same corrosion resistance guaranteed by ISO 4520 class 2c;
- application of anti-condensation protection for electronic overcurrent releases and relative accessories.



Resistance to shock and vibration

The circuit breakers are unaffected by vibrations generated mechanically or due to electromagnetic effects, in compliance with the IEC 60068-2-6 Standards and the regulations of the major classification organizations⁽¹⁾:

- RINA
- Det Norske Veritas
- Bureau Veritas
- Lloyd's register of shipping
- Germanischer Lloyd
- ABS
- Russian Maritime Register of Shipping.

The T1-T5 Tmax circuit breakers are also tested according to the IEC 60068-2-27 Standard to resist shock up to 12g for 11 ms. Please ask ABB for details about higher performance in terms of resistance to shock.

⁽¹⁾ Ask to ABB for Tmax certificates of approval.



1SDC210A4F0001 UL



1SDC210A11F0001 UL

Versions and types

All the Tmax circuit breakers are available in fixed versions, T2, T3, Ts3, T4 and T5 in the plug-in version and Ts3, T4, T5, T6 and T7 also in the draw out one.

All the circuit breakers can be manually operated by the operating lever or the rotary handle (direct or variable depth), and electrically operated. For electric operation different solutions are available:

- The solenoid operator for T1, T2 and T3
- The direct action motor operator for Ts3
- The stored energy motor operator for T4, T5 and T6
- T7 with the stored energy operating mechanism, gear motor for the charging of the closing springs and shunt opening and closing releases.

Installation

Tmax circuit breakers can be installed in switchboards mounted in any horizontal, vertical or lying down position on the back plate or on rails, without undergoing any derating. Tmax circuit breakers can be easily installed in all types of switchboards, thanks to the possibility of being reversefed.

Apart from fixing on the base plate, T1, T2 and T3 can also be installed on DIN 50022 rails and Ts3 can also be installed on DIN 50023 rails thanks to the special fixing brackets.

Furthermore, the depth of 2.76 inches (70 mm) takes Tmax T3 to the same depth as the two smaller sizes, making assembly of circuit breakers up to 225 A in standard switchboards even simpler. In fact, it is possible to prepare standardized support structures, facilitating the design stage and construction of the switchboard interior.

Construction characteristics

Distinguishing features of the series

Racking-out with the door closed

With Tmax Ts3, T4, T5, T6 and T7 circuit breakers in the draw out version the circuit breaker can be racked-in and out with the compartment door closed, increasing operator safety and allowing realization of low voltage arc proof switchboards.

Racking out can only be carried out with the circuit breaker open (for safety reasons), using a special racking-out crank handle supplied with the conversion kit from fixed circuit breaker to moving part of draw out circuit breaker.



Range of accessories

The completeness and installation rationality of the Tmax series is also achieved thanks to innovative solutions in development of the accessories:

- single range of accessories for T1, T2 and T3; one for T4, T5 and T6, and one for T7, characterised by completeness and simplicity for installation. The Ts3 due to its unique characteristics has its own group of accessories. Harmonization of the accessories allows reduction in stocks and greater service flexibility, offering increasing advantages for users of the Tmax series;
- new system of rapid assembly for internal electrical accessories of Tmax T7 without cables for the connections to the terminal box;
- same possibility of equipping with terminals, in terms of connection devices (terminals, terminal covers and phase separators), between fixed circuit breakers and cradles of plug-in circuit breakers for Tmax T2 and T3.
- moreover, Tmax offers a wide choice of IEC rated residual current releases (IEC only):
 - three-pole and four-pole RC221 and RC222 up to 225 A with T1, T2 and T3;
 - RC211 and RC212 for Ts3;
 - RC222, four-pole up to 500 A for T4 and T5;
 - RC223 (type B) also sensitive to currents with continuous slowly variable components (IEC 60947-2 Annex M), four-pole for T3 and T4, up to 250 A.



Compliance with Standards and company Quality System

The Tmax circuit breakers and their electrical accessories conform to the UL 489 (Underwriters Laboratories Incorporated) and CSA C22.2 No. 5.1 (Canadian Standard Association) North American Standards, and to the international IEC 60947-2 Standards and comply with the EC directive:

- “Low Voltage Directives” (LVD) no. 2006/95/CE (replaces 72/23/EEC and subsequent amendments)
- “Electromagnetic Compatibility Directive” (EMC) no. 89/336 EEC.

Certification of compliance with the above-mentioned product Standards is carried out, in respect of the European EN 45011 Standard, by the Italian certification body ACAE (Association for Certification of Electrical Apparatus), a member of the European LOVAG organization (Low Voltage Agreement Group). The ABB test laboratory is accredited by SINAL (certificate no. 062/2002).

The ABB Quality System complies with the international ISO 9001 - 2000 Standard (model for quality assurance in design, development, construction, installation and service) and with the equivalent European EN ISO 9001 and Italian UNI EN ISO 9001 Standards.

The independent certifying Body is RINA S.p.A. ABB obtained its first certification with three-year validity in 1990, and has now reached its fourth reconfirmation.

The new Tmax series has a hologram on the front, obtained using special anti-imitation techniques, which guarantees the quality and that the circuit breaker is an original ABB product.

Attention to protection of the environment and to health and safety in the work place is another priority commitment for ABB and, as confirmation of this, the company environmental management system has been certified by RINA in 1997, in conformity with the international ISO 14001 Standard. This certification has been integrated in 1999 with the Management System for Health and Safety in the workplace, according to OHSAS 18001 (British Standards), obtaining one of the first certification of integrated management System, QES (Quality, Environment, Safety) issued by RINA. ABB – the first industry in the electromechanical section in Italy to obtain this recognition – thanks to a revision of the production process with an eye to ecology, has been able to reduce the consumption of raw materials and processing waste by 20%.

ABB's commitment to safeguarding the environment is also shown by the Life Cycle Assessments of its products carried out directly by ABB Research and Development in collaboration with the ABB Research Center. Selection of materials, processes and packing materials is made optimizing the true environmental impact of the product, also foreseeing the possibility of its being recycled.



Index

Power distribution circuit breakers

Electrical characteristics	2/4
General characteristics.....	2/6
Thermal magnetic trip units.....	2/8
Electronic trip units.....	2/9

Motor Control Protection circuit breakers: MCP

Electrical characteristics	2/34
General characteristics.....	2/36

Molded Case Switches: MCS

Electrical characteristics	2/40
----------------------------------	------

Current Limiting

Electrical characteristics	2/44
----------------------------------	------

Power distribution





Power distribution circuit breakers



Index

Power distribution circuit breakers

Electrical characteristics	2/4
General characteristics.....	2/6
Thermal magnetic trip units.....	2/8
Electronic trip units.....	2/9

Power distribution circuit breakers

Electrical characteristics

MCCB

Type		Tmax T1 1p	Tmax T1	Tmax T2		Tmax T3		Tmax Ts3			
Frame size	[A]	100	100	100		225		150			
Number of poles	[No.]	1	3-4	3 ⁽⁶⁾ -4		3-4		2-3-4			
Rated voltage	AC (50-60 Hz)	347	600Y/347	480		600Y/347		600			
	DC		500			500		600			
Interrupting ratings		B	N	S	H	N	S	N	H	L	
	240 V AC	[kA rms]	50 ⁽²⁾	65	150	50	65	65	100	150	
	277 V AC	[kA rms]	18 ⁽¹⁾								
	347 V AC	[kA rms]	14 ⁽¹⁾								
	480 V AC	[kA rms]		22 ⁽²⁾	35	65	25	35	25	50	85 ⁽⁵⁾
	600Y/347 V AC	[kA rms]		10			10	10			
	600 V AC	[kA rms]							14	14	25
	250 V DC (2 poles in series)	[kA rms]		25			25	35			
	500 V DC (3 poles in series)	[kA rms]		25			25	35			
	500 V DC (2 poles in series)	[kA rms]							35	50	65
600 V DC (3 poles in series)	[kA rms]							20	35	50	
Versions		F	F	F-P		F-P		F-P-W			
Trip units	TMF	■	■	■		■		■			
	TMD/TMA										
	MA			■		■		■			
	Electronic										
	PR221DS			■							
	PR222DS/P										
	PR222DS/PD-A										
	PR231/P										
PR232/P											
PR331/P											
PR332/P											
Dimensions	H	[in/mm]	5.12/130	5.12/130	5.12/130		5.9/150		6.7/170		
	W 3p	[in/mm]	1/25.4	3/76	3.54/90		4.13/105		4.13/105		
	D	[in/mm]	2.76/70	2.76/70	2.76/70		2.76/70		4.07/103.5		
Mechanical life	[No. operations]	25000	25000	25000		25000		25000			

⁽¹⁾ In 15 A = 10 kA @ 277 V AC - 10 kA @ 347 V AC

⁽²⁾ In 15 A = 35 kA @ 240 V AC - 14 kA @ 480Y/277 V AC

⁽³⁾ T5 600 with electronic trip units only and in three pole version

⁽⁴⁾ 2p T4250 and T5400 available only in N interrupting rating

⁽⁵⁾ In from 15 A up to 30 A = 65 kA @ 480 V AC

⁽⁶⁾ T2H 100 3p, T4H 250 3p, T4V 250 3p, T5H 400 3p,

T5V 400 3p are defined current limiting. See the

current limiting chapter

F = Fixed

P = Plug-in

W = Draw-out

Tmax Ts3			Tmax T4					Tmax T5					Tmax T6				Tmax T7		
225			250					400-600 ⁽⁹⁾					800				1000-1200		
2-3-4			2 ⁽⁴⁾ -3 ⁽⁶⁾ -4					2 ⁽⁴⁾ -3 ⁽⁶⁾ -4					3-4				3-4		
480			600					600					600				600		
500			600					600					600						
N	H	L	N	S	H	L	V	N	S	H	L	V	N	S	H	L	S	H	L
65	100	150	65	100	150	200	200	65	100	150	200	200	65	100	200	200	65	100	150
25 50 65			25 35 65 100 150					25 35 65 100 150					35 50 65 100				50 65 100		
			18 25 35 65 100					18 25 35 65 100					20 25 35 42				25 50 65		
20 35 50			25 35 50 65 100					25 35 50 65 100					35 35 50 65						
			16 25 35 50 65					16 25 35 50 65					20 20 35 50						
F-P-W			F-P-W					F-P-W					F-W				F-W		
■			■					■					■						
■			■					■					■						
			■					■					■						
			■					■					■						
			■					■					■				■		
																	■		
																	■		
																	■		
																	■		
6.7/170			8.07/205					8.07/205					10.55/268				10.55/268		
4.13/105			4.13/105					5.51/140					8.26/210				8.26/210		
4.07/103.5			4.07/103.5					4.07/103.5					4.07/103.5				6.06/154(toggle)-7/178(motor)		
25000			20000					20000					20000				10000		

Power distribution circuit breakers

General characteristics

The series of Tmax molded case circuit breakers – complying with the UL 489 and CSA C22.2 No. 5 Standards – is divided into different basic sizes, with an application range from 15 A to 1200 A and breaking capacities up to 150 kA at 480 VAC.

For protection of alternating current networks, the following are available:

- T1B 1p, T1, T2, T3, Ts3 and T4 circuit breakers equipped with TMF thermal magnetic trip units with fixed thermal and magnetic threshold ($I_3 = 10 \times I_n$);
- T4 (up to 50 A) circuit breaker equipped with TMD thermal magnetic trip units with adjustable thermal threshold ($I_1 = 0.7 \dots 1 \times I_n$) and fixed magnetic threshold ($I_3 = 10 \times I_n$);
- T4, T5 and T6 circuit breakers with TMA thermal magnetic trip units with adjustable thermal threshold ($I_1 = 0.7 \dots 1 \times I_n$) and adjustable magnetic threshold ($I_3 = 5 \dots 10 \times I_n$);
- T2 with PR221DS electronic trip unit;
- T4, T5 and T6 with PR221DS, PR222DS/P and PR222DS/PD-A electronic trip units;
- the T7 circuit breaker, which completes the Tmax family up to 1200 A, fitted with PR231/P, PR232/P, PR331/P and PR332/P electronic trip units. The T7 circuit breaker is available in the two versions: with a manual operating mechanism or a motorized stored energy operating mechanism⁽¹⁾.

The field of application in alternating current of the Tmax series varies from 1 A to 1200 A with voltages up to 600 V. The Tmax T1, T2, T3, Ts3, T4, T5 and T6 circuit breakers equipped with TMF, TMD and TMA thermal magnetic trip units can also be used in direct current plants, with a range of applications from 15 A to 800 A and a minimum operating voltage of 24 V DC, according to the appropriate connection diagrams.

The three-pole T2, T3 and Ts3 circuit breakers can also be fitted with MA adjustable magnetic only trip units, both for applications in alternating current and in direct current, in particular for motor protection (see page 2/33 and following).

For all the circuit breakers in the series, fitted with thermal magnetic and electronic trip units, the single-phase trip current is defined (see page 4/26).

⁽¹⁾ For motorization, the T7 circuit breaker with stored energy operating mechanism must be ordered, complete with geared motor for automatic spring charging, opening coil and closing coil.

Interchangeability

The Tmax T4, T5 and T6 circuit breakers can be equipped either with TMF, TMD or TMA thermal magnetic trip units, MA magnetic only trip units or PR221DS, PR222DS/P, PR222DS/PD-A electronic trip units.

Similarly, Tmax T7 can also mount the latest generation PR231/P, PR232/P, PR331/P⁽¹⁾ and PR332/P⁽¹⁾ electronic trip units.

Trip units

Circuit breakers	TMF		TMD			TMA									
	15	20	30	40	50	80	100	125	150	200	250	300	400	600	800
T4 250	■	■	■	■	■	■	■	■	■	■	■				
T5 400												■	■		
T5 600															
T6 800														■	■
T7 1000															
T7 1200															

■ = Complete circuit breaker already coded
▲ = Circuit breaker to be assembled

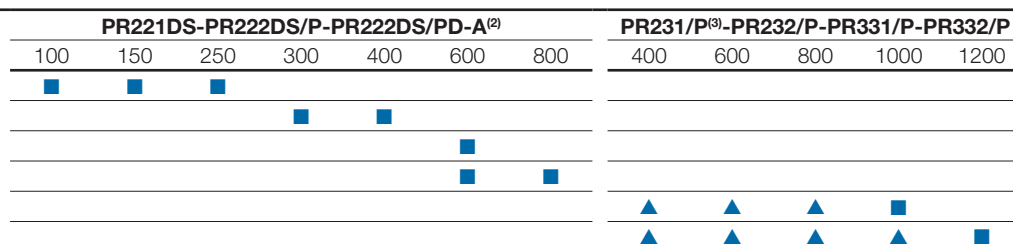
⁽¹⁾ If ordered loose PR331/P and PR332/P must be completed with the "trip unit adapters" (see page 3/45)

Range of application of the circuit breakers in alternating current and in direct current

AC	Trip unit	Range [A]
T1 1p 100	TMF	15...100
T1 100	TMF	15...100
T2 100	TMF	15...100
	MA	20...100
	PR221DS	25...100
T3 225	TMF	60...225
	MA	100...200
Ts3 150	TMF	15...150
	MA	3...150
Ts3 225	TMF	175...225
	MA	175...200
T4 250	TMF	15...250
	TMD	20
	TMA	30...50
	PR221DS	80...250
	PR222DS/P-PR222DS/PD-A	100...250
T5 400/600	TMA	300...400
	PR221DS	300-400-600
	PR222DS/P-PR222DS/PD-A	300-400-600
T6 800	TMA	600...800
	PR221DS	600...800
	PR222DS/P-PR222DS/PD-A	600...800
T7 1000/1200	PR231/P-PR232/P	400...1200
	PR331/P-PR332/P	400...1200
DC		
T1 100	TMF	15...100
T2	MA	20...100
T3 225	TMF	60...225
Ts3 150	TMF	15...150
	MA	3...150
Ts3 225	TMF	175...225
	MA	175...200
T4 250	TMD	15...250
	TMA	15...250
	TMF	15...250
T5 400/600	TMA	300-400
T6 800	TMA	600...800

MA = magnetic only trip unit with adjustable magnetic thresholds
 TMF = thermal magnetic trip unit with fixed thermal and magnetic thresholds
 TMD = thermal magnetic trip unit with adjustable thermal and fixed magnetic thresholds
 TMA = thermal magnetic trip unit with adjustable thermal and magnetic thresholds
 PR22_, PR23_, PR33_ = electronic trip units

Thanks to their simple assembly, the end customer can change the type of trip unit extremely rapidly according to their own requirements and needs. In this case, correct assembly is the customer's responsibility. Above all, this means into increased flexibility of use of the circuit breakers with considerable savings in terms of costs thanks to better rationalization of stock management.



⁽²⁾ PR223DS, minimum I_n = 160 A

⁽³⁾ Interchangeability of PR231/P can be requested by means of the dedicated ordering code 1SDA063140R1

Power distribution circuit breakers

Thermal magnetic trip units

The Tmax T1 1p, T1, T2, T3, Ts3, T4, T5 and T6 circuit breakers can be fitted with thermal magnetic trip units and are used in protection of alternating and direct current networks with a range of use from 15 A to 800 A. They allow the protection against overload with a thermal device (with fixed threshold for T1 1p, T1, T2, T3, Ts3, T4 and adjustable threshold for T4, T5 and T6) realized using the bimetal technique, and protection against short-circuit with a magnetic device (with fixed threshold for T1, T2, T3, Ts3 and T4 up to 50 A and adjustable threshold for T4, T5 and T6).

The four-pole circuit breakers are always supplied with the neutral protected by the trip unit and with protection of the neutral at 100% of the phase settings up to 100 A. For higher settings, the protection of the neutral is at 50% of the phase setting unless the protection of the neutral at 100% of the phase setting is required.

Thermal magnetic trip units

In [A]	15	20	25	30	35	40	50	60	70	80	90	100	125	150	175	200	225	250	300	400	600	800	
Neutral [A]	15	20	25	30	35	40	50	60	70	80	90	100	125	150	175	200	225	250	300	400	600	800	
T1 (I _t =I _n)	■	■	■	■		■	■	■	■	■	■	■											
T2 (I _t =I _n)	■	■	■	■	■	■	■	■	■	■	■	■											
T3 (I _t =I _n)								■	■	■	■	■	■	■	■	■	■	■					
Ts3 (I _t =I _n)	■	■	■	■	■	■	■	■	■	■	■	■	■	■	■	■	■	■					
T4 (I _t =I _n)	■	■																					
T4 (I _t =0.7...1xI _n)				■		■	■			■		■	■	■		■		■					
T5 400 (I _t =0.7...1xI _n)																				■	■		
T6 (I _t =0.7...1xI _n)																						■	■
T1																							
I ₃ [A]	1000	1000	1000	1000		1000	1500	1500	1500	1500	1500	1500											
Neutral [A]	1000	1000	1000	1000		1000	1500	1500	1500	1500	1500	1500											
T2, T3																							
I ₃ [A]	500	500	500	500	500	500	500	600	700	800	900	1000	1250	1500	1750	2000	2250						
Neutral [A]	500	500	500	500	500	500	500	600	700	800	900	1000	1250	1500	1750	2000	2250						
Ts3																							
I ₃ [A]	500	500	500	500	500	500	500	600	700	800	900	1000	1250	1500	1750	2000	2250						
Neutral [A]	500	500	500	500	500	500	500	600	700	800	900	1000	1250	1500	1750	2000	2250						
T4, T5																							
I ₃ [A]	500	500		500		500	500			400		500	625	750		1000		1250	1500	2000	2500	3000	4000
Neutral [A]	500	500		500		500	500			400		500	625	750		1000		1250	1500	2000	2500	3000	4000
										800		1000	1250	1500		2000		2500	3000	4000	6000	8000	8000
T6																							
I ₃ = 5...10xI _n [A]																						3000	4000
Neutral [A] - 100%																						6000	8000
Neutral [A] - 50%																						3000	4000
																						6000	8000

Power distribution circuit breakers

Electronic trip units

For use in alternating current the Tmax T2, T4, T5, T6 and T7 circuit breakers can be equipped with trip units constructed using electronic technology. This allows protection functions to be obtained which provide high reliability, tripping precision and insensitivity to temperature and to the electromagnetic components.

The power supply needed for correct operation is supplied directly by the current sensors of the trip unit, and tripping is always guaranteed, even under single-phase load conditions.

Characteristics of the Tmax electronic trip units

Operating temperature	-13 °F...+158 °F (-25 °C...+70 °C)
Relative humidity	98%
Self-supply	0.2 x In (single phase)
Auxiliary power supply (where applicable)	24 V DC
Operating frequency	45...66 Hz
Electromagnetic compatibility (LF and HF)	IEC 60947-2 Annex F

For Tmax T2, T4, T5 and T6 the protection trip unit consists of:

- 3 or 4 current sensors (current transformers)
- external current sensors (e.g. for the external neutral), when available
- a trip unit
- a trip coil (for T2 housed in the right slot, for T4, T5 and T6 integrated in the electronic trip unit).

For Tmax T7 the protection trip unit consists of:

- 3 or 4 current sensors (Rogowski coils and current transformers)
- external current sensors (e.g. for the external neutral)
- interchangeable rating plug
- a trip unit
- a trip coil housed in the body of the circuit breaker.

Rating plugs

Circuit breaker	CS Rated current I _n	In [A]				
		400	600	800	1000	1200
T7	1000	■	■	■	■	
	1200	■	■	■	■	■

The current sensors supply the electronic trip unit with the energy needed for correct operation of the trip unit and the signal needed to detect the current.

The current sensors are available with rated primary current as shown in the table.

Current sensors

	In [A]	25	60	100	150	250	300	400	600	800	1000	1200
PR221DS	T2	■	■	■	■							
	T4			■	■	■	■					
	T5						■	■	■			
	T6								■	■		
PR222DS/P, PR222DS/PD-A	T4			■	■	■	■					
	T5						■	■	■			
	T6								■	■		
PR231/P, PR232/P, PR331/P, PR332/P	T7							■	■	■	■	■

When a protection function trips, the circuit breaker opens by means of the trip coil, which changes the contact AUX-SA (supplied on request, see chapter "Accessories" at page 3/21 and following) to tripping. Mechanical signalling reset takes place with resetting of the circuit breaker.

Power distribution circuit breakers

Electronic trip units

Basic protection functions

**(L) Protection against overload**

This protection function trips when there is an overload with inverse long-time delay trip according to an inverse time curve ($I^2t=k$). The protection cannot be excluded.

**(S) Protection against short-circuit with time delay**

This protection function trips when there is a short-circuit, with long inverse time-delay trip ($I^2t=k$ ON) or a constant trip time ($I^2t=k$ OFF). The protection can be excluded.

**(I) Instantaneous protection against short-circuit**

This protection function trips instantaneously in case of a short-circuit. The protection can be excluded.

**(G) Protection against ground fault**

The protection against ground fault trips when the vectorial sum of the currents passing through the current sensors exceeds the set threshold value, with long inverse time-delay trip ($I^2t=k$ ON) or a constant trip time ($I^2t=k$ OFF). The protection can be excluded.

Advanced protection functions

The PR332/P trip unit makes it possible to carry out highly developed protection against the most varied types of fault. It adds the following advanced protection functions to the basic protection functions.

**(U) Protection against unbalanced phase**

The protection function against unbalanced phase U can be used in those cases where a particularly precise control is needed regarding missing and/or unbalance of the phase currents. The trip time is instantaneous. The protection can be excluded.

**(OT) Protection against overtemperature**

The protection against overtemperature trips instantaneously when the temperature inside the trip unit exceeds 85 °C, in order to prevent any temporary or continual malfunction of the microprocessor. The protection cannot be excluded.

**(ZS) Zone selectivity**

ZS zone selectivity is an advanced method for carrying out coordination of the protections in order to reduce the trip times of the protection closest to the fault in relation to the time foreseen by time selectivity. Zone selectivity can be applied to the protection functions S and G, with constant time-delay trip. The protection can be excluded.

**(UV, OV, RV) Protections against voltage**

The three protections trip with a constant time-delay in the case of undervoltage, overvoltage and residual voltage respectively. The latter allows to detect interruptions of the neutral (or of the ground conductor in systems with grounded neutral). The protections can be excluded.


**(RP) Protection against reversal of power**

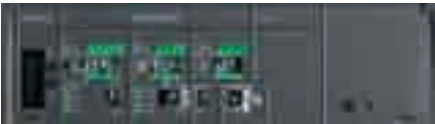
The protection against reversal power causes tripping of the breaker, with constant time-delay trip, when the flow of power reverses sign and exceeds, as an absolute value, the set threshold. It is particularly suitable for protection of large machines such as generators. The protection can be excluded.


**(UF, OF) Protections of frequency**

The two protections detect the variation in network frequency above or below the adjustable thresholds, opening the circuit breaker, with constant time-delay trip. The protection can be excluded.

Electronic trip units for power distribution

SACE PR221DS		
	PR221DS	PR221DS
Protection functions	L S / I	I

SACE PR222DS/P		
	PR222DS/P	PR222DS/P
Protection functions	L S I	L S I G

SACE PR222DS/PD-A		
	PR222DS/PD-A	PR222DS/PD-A
Protection functions	L S I	L S I G

Power distribution circuit breakers

Electronic trip units

SACE PR231/P



PR231/P

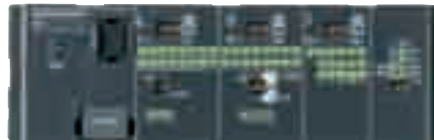


PR231/P



Protection functions

SACE PR232/P



PR232/P



Protection functions

SACE PR331/P



PR331/P



Protection functions

SACE PR332/P



PR332/P



PR332/P



PR332/P



Protection functions

Advanced protection function^(*)

Opt.^(**)



^(*) In alternative to Rc (with external toroid).
^(**) For all versions.

^(*) Available with PR330/V. Measurement module.
^(**) According to IEC 60255-3.

PR221DS – Tmax T2, T4, T5 and T6

The PR221DS trip unit, available for T2, T4, T5 and T6, provides protection functions against overload L and short-circuit S/I (version PR221DS-LS/I): with this version you can choose whether to have inverse time-delay S or instantaneous I protection against short-circuit by moving the dedicated dip-switch. Alternatively, the version with only the protection function against instantaneous short-circuit I is available (version PR221DS-I, also see page 2/33 and following).

There is a single adjustment for the phases and the neutral. The neutral is adjustable from 50 - 100% of the phases for Tmax T2 $I_n = 160$ A ($T2 I_n < 160$ A, $N = 100\%$), whereas for T4, T5 and T6 it is possible to select the protection threshold OFF, 50% or 100% directly from the front of the trip unit by means of the specific dip switch.

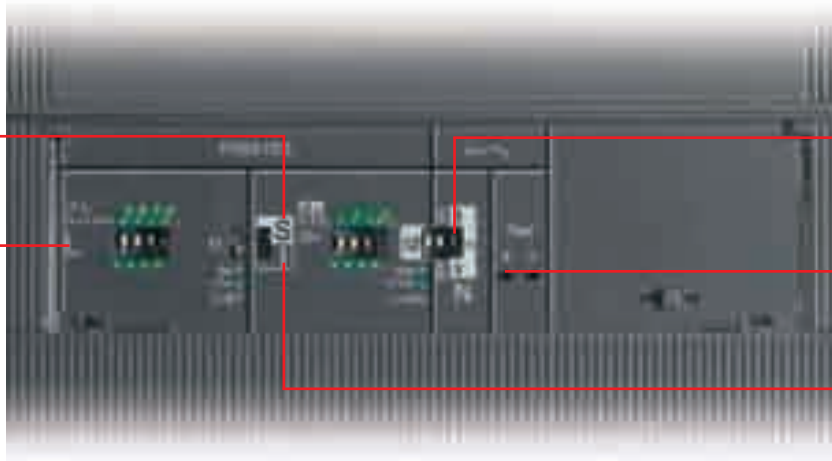
The trip coil is always supplied with the PR221DS trip unit for Tmax T2 and is housed in the right-hand slot of the circuit breaker. Dedicated auxiliary contacts are available for T2 with electronic trip units (see page 3/21).

For Tmax T4, T5 and T6, the opening solenoid is housed internally and therefore, by not using the right-hand slot of the circuit breaker, all the auxiliary contacts available can be used.

PR221DS-LS/I

Protection S
Against short-circuit with delayed trip

Protection L
Against overload



Dip-switch for neutral setting (only for T4, T5 and T6)




Socket for TT1 test unit

Protection I
Against short-circuit with instantaneous trip




1SDC210B05F0001

PR221DS - Protection functions and settings

Protection functions

 CANNOT BE EXCLUDED	Against overload with long inverse time delay trip and trip characteristic according to an inverse time curve ($I^2t = \text{constant}$)
 CAN BE EXCLUDED	Against short-circuit with inverse short time delay trip and trip characteristic with inverse time ($I^2t = \text{constant}$) (selectable as an alternative to protection function I)
 CAN BE EXCLUDED	Against short-circuit with instantaneous trip (selectable as an alternative to protection function S)

Trip threshold

	$I_1 = 0.40 - 0.44 - 0.48 - 0.52 - 0.56 - 0.60 - 0.64 - 0.68 - 0.72 - 0.76 - 0.80 - 0.84 - 0.88 - 0.92 - 0.96 - 1 \times I_n$ Release between $1.1 \dots 1.3 \times I_1$ (IEC 60947-2 and UL 489)
	$I_2 = 1 - 1.5 - 2 - 2.5 - 3 - 3.5 - 4.5 - 5.5 - 6.5 - 7 - 7.5 - 8 - 8.5 - 9 - 10 \times I_n^{(2)}$ Tolerance: $\pm 10\%$ (T4-T5) $\pm 10\%$ up to $2 \times I_n$ (T2) $\pm 20\%$ above $2 \times I_n$ (T2)
	$I_3 = 1 - 1.5 - 2 - 2.5 - 3 - 3.5 - 4.5 - 5.5 - 6.5 - 7 - 7.5 - 8 - 8.5 - 9 - 10 \times I_n^{(3)}$ Tolerance: $\pm 10\%$ (T4-T5) $\pm 20\%$ (T2)

Trip curves⁽¹⁾

at $6 \times I_1$ $t_1 = 3s$	at $6 \times I_1$ $t_1 = 6s$ only for T2	at $6 \times I_1$ $t_1 = 12s$ only for T4, T5
Tolerance: $\pm 10\%$ up to $6 \times I_n$ $\pm 20\%$ above $6 \times I_n$		
$a 8 \times I_n$ $t_2 = 0,1s$	$a 8 \times I_n$ $t_2 = 0,25s$	
Tolerance: $\pm 10\%$ up to $6 \times I_n$ (T4-T5) $\pm 20\%$ above $6 \times I_n$ (T4-T5) $\pm 20\%$ (T2)		
instantaneous		

⁽¹⁾ These tolerances hold in the following conditions:
 - self-powered relay at full power and/or auxiliary supply;
 - two or three-phase power supply.

In conditions other than those considered, the following tolerances hold:

	Trip time
S	$\pm 20\%$
I	$\leq 40ms$

⁽²⁾ For T5 $I_n = 600$ A $\Rightarrow I_2 \text{ max} = 9.5 \times I_n$
⁽³⁾ For T5 $I_n = 600$ A $\Rightarrow I_3 \text{ max} = 9.5 \times I_n$

Power distribution circuit breakers

Electronic trip units

PR222DS/P – Tmax T4, T5 and T6

The PR222DS/P trip unit, available for T4, T5 and T6, has protection functions against overload L, delayed S and instantaneous I short-circuit (version PR222DS/P-LSI). Alternatively, in addition to the functions L, S, I, it also has protection against ground fault G (version PR222DS/P-LSIG).

Setting of the PR222DS trip unit can be carried out either by means of dip switches on the front of the circuit breaker or electronically, using the PR010/T programming and control unit (see page 3/48) or the BT030 wireless communication unit (see page 3/45).

There is a single setting for the phases and neutral for which one can decide whether to set the threshold of the protection functions to OFF, to 50% or to 100% of the phases by means of two dedicated dip switches.

Furthermore, on the front of the PR222DS/P (or PR222DS/PD-A) trip units, signalling of pre-alarm and alarm of protection L is available. The pre-alarm threshold value, signalled by the red LED fixed, is equal to $0.9 \times I_1$. It is also possible to remotely transmit the alarm of protection L by simply connecting connector X3 to the dedicated contact.

PR222DS/PD-A – Tmax T4, T5 and T6

Apart from the protection functions available for the PR222DS/P trip unit (for the settings see page 2/18), the PR222DS/PD-A trip unit, available for T4, T5 and T6 also has the communication unit integrated with Modbus® RTU protocol.

The Modbus® RTU protocol has been known and used worldwide for many years and is now a market standard thanks to its simplicity of installation, configuration and to its integration in the various different supervision, control and automation systems, as well as good level performances.

The PR222DS/PD-A trip units allow the Tmax T4, T5 and T6 circuit breakers to be integrated in a communication network based on the Modbus® RTU protocol. Modbus® RTU provides a Master-Slave system architecture where a Master (PLC, PC...) cyclically interrogates several Slaves (field devices). The devices use the EIA RS485 standard as the physical means for data transmission at a maximum transmission speed of 19.2 kbps.

Again for this trip unit, the power supply needed for correct operation of the protection functions is supplied directly by the current transformers of the trip unit and tripping is always guaranteed, even under conditions of single-phase load down. Nevertheless, communication is only possible with an auxiliary power supply of 24 V DC.

PR222DS/PD-A – Electrical characteristics

Auxiliary power supply (galvanically insulated)	24 V DC \pm 20%
Maximum ripple	\pm 5%
Inrush current @ 24 V	1 A for 30 ms
Rated current @ 24 V	100 mA
Rated power @ 24 V	2.5 W

The PR222DS/PD-A trip unit, with integrated communication and control functions, allows a wide range of information to be acquired and transmitted remotely, opening and closing commands to be carried out by means of the electronic version motor operator, the configuration and programming parameters of the unit to be stored, such as the current thresholds of the protection functions and the protection curves. All the information can be consulted both locally, directly on the front of the circuit breaker with the front display unit FDU, or on the HMI030 switchgear multi-meter and remotely by means of supervision and control systems.

Moreover, by connecting of the BT030 external module to the test connector of the PR222DS/PD-A trip unit, wireless communication to a PDA or Notebook is possible through a Bluetooth port.

The PR222DS/PD-A trip units can be associated with the AUX-E auxiliary contacts to know the state of the circuit breaker (open/closed), and with MOE-E motor operator (the AUX-E are obligatory when MOE-E is to be used) to remotely control circuit-breaker opening and closing as well.

If the circuit breaker fitted with the PR222DS/PD-A trip unit is inserted in a supervision system, during the test phases with the PR010/T unit, communication is automatically abandoned and starts again on completion of this operation.

	PR222DS/P	PR222DS/PD-A
Communication functions		
Protocol		Modbus RTU standard
Physical medium		EIA RS485
Speed (maximum)		19.2 kbps
Measurement functions		
Phase currents	■ ⁽¹⁾	■
Neutral current	■ ⁽¹⁾	■
Ground current	■ ⁽¹⁾	■
Voltages (phase to phase, phase to ground)		
Powers (active, reactive, apparent)		
Power factors		
Energies		
Peak factor		
Frequency		
Signalling functions		
L pre-alarm and alarm LED	■ ⁽⁵⁾	■ ⁽⁵⁾
L alarm output contact ⁽²⁾	■	■
Available data		
Circuit breaker status (open, closed) ⁽³⁾		■
Mode (local, remote)		■
Protection parameters set	■ ⁽¹⁾	■
Alarms		
Protections: L, S, I, G	■ ⁽¹⁾	■
Failed tripping under fault conditions	■ ⁽¹⁾	■
Maintenance		
Total number of operations		■
Total number of trips		■
Number of trip tests		■
Number of manual operations		■
Number of trips for each individual protection function		■
Record of last trip data	■ ⁽¹⁾	■
Commands		
Circuit breaker opening/closing (with motor operator)		■
Alarm reset	■ ⁽¹⁾	■
Circuit breaker reset (with motor operator)		■
Setting the curves and protection thresholds	■ ⁽¹⁾	■
Safety function		
Automatic opening in the case of failed Trip command fail (with motor operator) ⁽⁴⁾		■
Events		
Changes in circuit breaker state, in the protections and all the alarms		■

⁽¹⁾ With PR010/T unit or BT030 unit
⁽²⁾ Typical contact: MOS photo Vmax: 48 V DC/30 V AC
Imax: 50 mA DC/35 mA AC
⁽³⁾ Available with AUX-E electronic auxiliary contacts
⁽⁴⁾ The motor operator must be in electronic version (MOE-E) and electronic auxiliary contacts (AUX-E) have to be used
⁽⁵⁾ Signals: - Pre-alarm L - permanently lit
- Alarm L - flashing (0.5 s ON / 0.5 s OFF)
- Incongruent manual setting (L > S / S > I) - flashing (1 s ON / 2 s OFF)
- WINK (remote control to identify the relay) - flashing (0.125 s ON / 0.125 s OFF)

Power distribution circuit breakers

Electronic trip units

PR222DS/P

Protection S

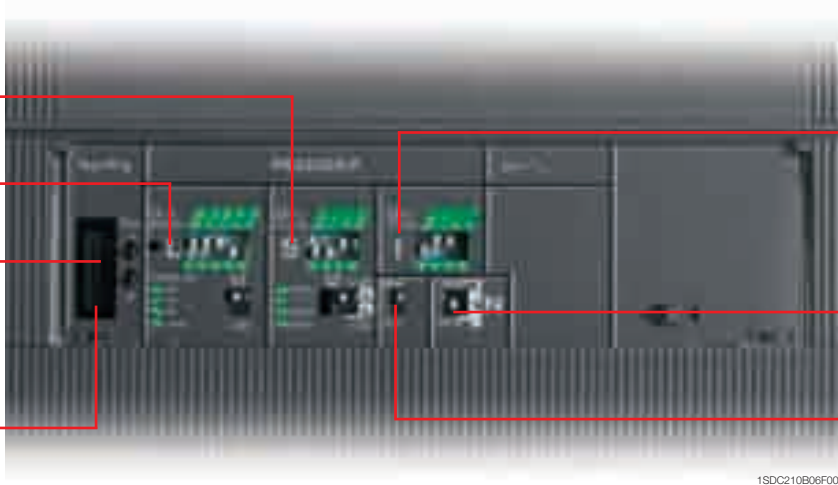
Against short-circuit
with delayed trip

Protection L

Against overload

Socket for TT1
test unit

Socket for connection
of PR010/T test unit
and BT030 wireless
communication unit



Protection I

Against short-circuit
with instantaneous trip

Dip-switch for
neutral setting

Selection for electronic
or manual setting

1SDC210B06F0001

PR222DS/PD-A

Protection S

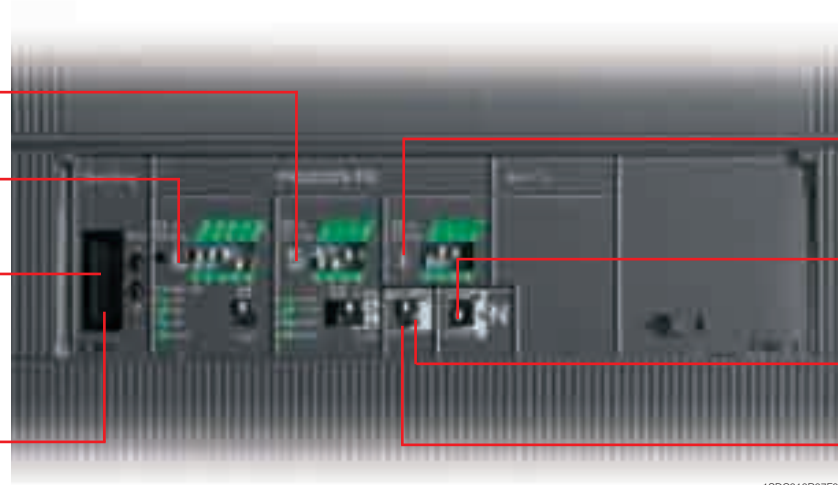
Against short-circuit
with delayed trip

Protection L

Against overload

Socket for TT1
test unit

Socket for connection
of PR010/T test unit
and BT030 wireless
communication unit



Protection I

Against short-circuit
with instantaneous trip

Dip-switch for
neutral setting

Selection for electronic
or manual setting

Selection for local
or remote setting

1SDC210B07F0001

PR222DS/P, PR222DS/PD-A – Protection functions and settings

Protection functions

L
CANNOT BE EXCLUDED

Against overload with long inverse time delay trip and trip characteristic according to an inverse time curve ($I^2t=constant$)

Manual setting
 $I_1 = 0.40 - 0.42 - 0.44 - 0.46 - 0.48 - 0.50 - 0.52 - 0.54 - 0.56 - 0.58 - 0.60 - 0.62 - 0.64 - 0.66 - 0.68 - 0.70 - 0.72 - 0.74 - 0.76 - 0.78 - 0.80 - 0.82 - 0.84 - 0.86 - 0.88 - 0.90 - 0.92 - 0.94 - 0.96 - 0.98 - 1 \times I_n$

Electronic setting
 $I_1 = 0.40 \dots 1 \times I_n$ (step 0.01 x I_n)
 Release between 1.1...1.3 x I_1
 (IEC 60947-2 and UL 489)

Trip curves⁽¹⁾

Manual setting
 at 6 x I_1 $t_1 = 3s$ at 6 x I_1 $t_1 = 6s$ at 6 x I_1 $t_1 = 9s$ at 6 x I_1 $t_1 = 18s^{(2)}$

Electronic setting
 at 6 x I_1 $t_1 = 3 \dots 18s$ (step 0.5s)⁽²⁾
 Tolerance: $\pm 10\%$

S
CAN BE EXCLUDED

Against short-circuit with inverse short time delay trip and trip characteristic with inverse time ($I^2t=constant$) or definite time

Manual setting
 $I_2 = 0.6 - 1.2 - 1.8 - 2.4 - 3.0 - 3.6 - 4.2 - 5.8 - 6.4 - 7.0 - 7.6 - 8.2 - 8.8 - 9.4 - 10 \times I_n^{(3)}$

Electronic setting
 $I_2 = 0.60 \dots 10 \times I_n$ (step 0.1 x I_n)⁽³⁾
 Tolerance: $\pm 10\%$

Manual setting
 at 8 x I_n $t_2 = 0.05s$ at 8 x I_n $t_2 = 0.1s$ at 8 x I_n $t_2 = 0.25s$ at 8 x I_n $t_2 = 0.5s$

Electronic setting
 at 8 x I_n $t_2 = 0.05 \dots 0.5s$ (step 0.01s)
 Tolerance: $\pm 10\%$ ⁽⁴⁾

$I^2t=const$ ON

Manual setting
 $I_2 = 0.6 - 1.2 - 1.8 - 2.4 - 3.0 - 3.6 - 4.2 - 5.8 - 6.4 - 7.0 - 7.6 - 8.2 - 8.8 - 9.4 - 10 \times I_n^{(3)}$

Electronic setting
 $I_2 = 0.60 \dots 10 \times I_n$ (step 0.1 x I_n)⁽³⁾
 Tolerance: $\pm 10\%$

Manual setting
 $t_2 = 0.05s$ $t_2 = 0.1s$ $t_2 = 0.25s$ $t_2 = 0.5s$

Electronic setting
 $t_2 = 0.05 \dots 0.5s$ (step 0.01s)
 Tolerance: $\pm 10\%$ ⁽⁴⁾

$I^2t=const$ OFF

I
CAN BE EXCLUDED

Against short-circuit with instantaneous trip

Manual setting
 $I_3 = 1.5 - 2.5 - 3 - 4 - 4.5 - 5 - 5.5 - 6.5 - 7 - 7.5 - 8 - 9 - 9.5 - 10.5 - 12 \times I_n^{(3)}$

Electronic setting
 $I_3 = 1.5 \dots 12 \times I_n$ (step 0.1 x I_n)⁽³⁾
 Tolerance: $\pm 10\%$

instantaneous

G
CAN BE EXCLUDED

Against ground fault with inverse short time delay trip and trip characteristic according to an inverse time curve ($I^2t=constant$)

Manual setting
 $I_4 = 0.2 - 0.25 - 0.45 - 0.55 - 0.75 - 0.8 - 1 \times I_n$

Electronic setting
 $I_4 = 0.2 \dots 1 \times I_n$ (step 0.01 x I_n)
 Tolerance: $\pm 10\%$

Manual setting
 up to 3.15 x I_4 $t_4 = 0.1s$ up to 2.25 x I_4 $t_4 = 0.2s$ up to 1.6 x I_4 $t_4 = 0.4s$ up to 1.10 x I_4 $t_4 = 0.8s$

Electronic setting
 $t_4 = 0.1 \dots 0.8 \times I_n$ (step 0.01s)
 Tolerance: $\pm 20\%$

⁽¹⁾ These tolerances hold in the following conditions:
 – self-powered relay at full power and/or auxiliary supply;
 – two or three-phase power supply.
 In conditions other than those considered, the following tolerances hold:

⁽²⁾ For T5 $I_n = 600 A \Rightarrow t_1 = 10.5s$
⁽³⁾ For T5 $I_n = 600 A \Rightarrow I_{3,max} = 9.5 \times I_n$
 $I_{2,max} = 9.5 \times I_n$
⁽⁴⁾ Tolerance: $\pm 10 ms$ up to $t_2 = 0.1s$

	Trip time
S	$\pm 20\%$
G	$\pm 20\%$

Power distribution circuit breakers

Electronic trip units

PR231/P – Tmax T7

The PR231/P trip unit is the basic trip unit for Tmax T7. It provides protection functions against overload L and short-circuit S/I (version PR231/P-LS/I). With this version you can choose whether to have protection S or protection I by moving the dedicated dip-switch. Alternatively the version with only the protection function against instantaneous short-circuit I is available (version PR231/P-I see also page 2/33 and following).

Setting the trip parameters of the PR231/P trip unit is done directly on the front of the circuit breaker by means of dip switches. There is only one for the phases and the neutral, so it is possible to set the protection threshold at 50% or at 100% of the phase protection.





To provide protection of the installation by means of the PR231/P protection trip unit, it is necessary to select the rated network frequency (50/60 Hz), using the special dip-switch.

Interchangeability of PR231/P can be requested by means of the dedicated ordering code 1SDA063140R1.

2



PR231/P - Protection functions and settings

Protection functions	Trip threshold	Trip curves ⁽¹⁾	Excludability	Relation t = f(I)
 <p>L Against overload with long inverse time delay trip and trip characteristic according to an inverse time curve ($I^2t = \text{constant}$)</p> <p>CANNOT BE EXCLUDED</p>	$I_1 = 0.40...1 \times I_n$ step = $0.04 \times I_n$ Trip between $1.1...1.3 \times I_1$ IEC 60947-2 UL 489	at $6 \times I_1$ at $6 \times I_1$ $t_1 = 3 - 12s$ Tolerance: $\pm 10\%$	-	$t = k/I^2$
 <p>S Against short-circuit with long inverse time delay trip and trip characteristic with inverse time ($I^2t = \text{constant}$) (selectable as an alternative to protection function I)</p> <p>CAN BE EXCLUDED</p>	$I_2 = 1-1.5-2-2.5-3-3.5-4.5-5.5-6.5-7-7.5-8-8.5-9-10 \times I_n$ Tolerance: $\pm 10\%$	at $10 \times I_n$ at $10 \times I_n$ $t_2 = 0.1 - 0.25s$ Tolerance: $\pm 10\%$		$t = k/I^2$
 <p>I Against short-circuit with instantaneous trip (selectable as an alternative to protection function S)</p> <p>CAN BE EXCLUDED</p>	$I_3 = 1-1.5-2-2.5-3-3.5-4.5-5.5-6.5-7-7.5-8-8.5-9-10 \times I_n$ Tolerance: $\pm 10\%$	instantaneous	-	$t = k$

⁽¹⁾ These tolerances hold in the following conditions:
 - self-powered trip unit at full power
 - two or three-phase power supply
 In conditions other than those considered, the following tolerances hold:

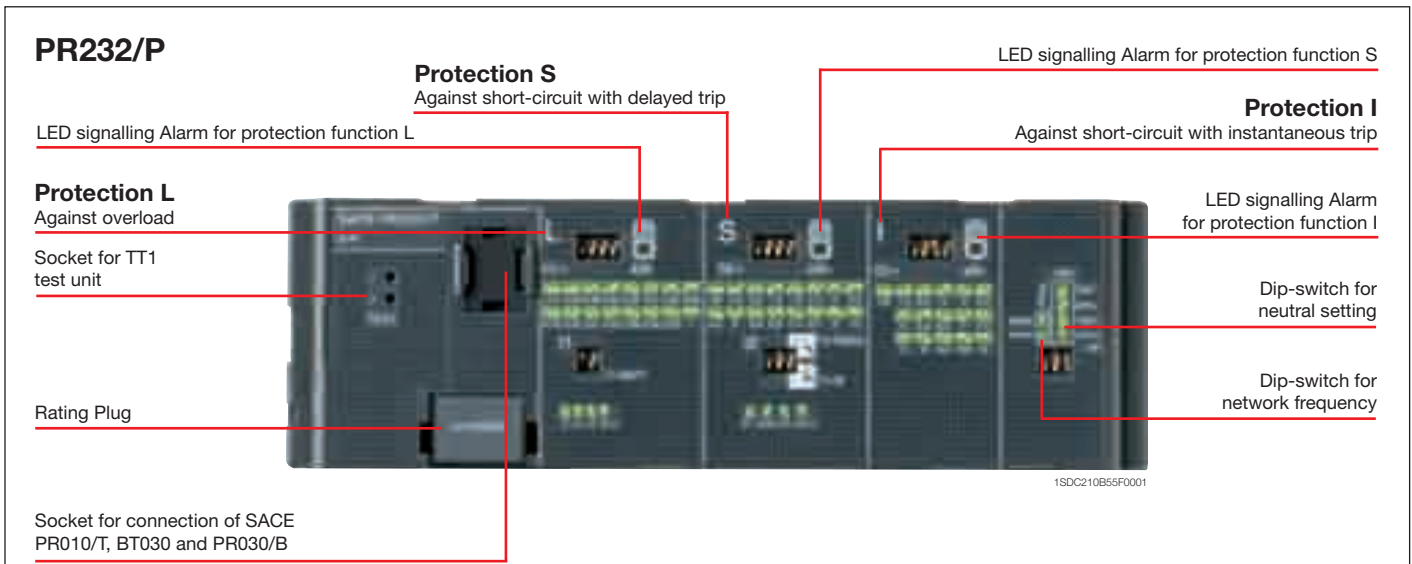
	Trip threshold	Trip time
S	$\pm 10\%$	$\pm 20\%$
I	$\pm 15\%$	$\leq 60ms$

PR232/P – Tmax T7

The PR232/P trip unit, available for T7, provides protection functions against overload L, delayed short-circuit S and instantaneous short-circuit I (version PR232/P-LSI).

Setting the trip parameters (see table) of the PR232/P trip unit can be carried out by means of the dip-switches it is unique for the phases and the neutral, for which it is possible to set the protection threshold to OFF, to 50%, 100% or 200% of the threshold of the phases directly from the front of the trip unit with a special dip-switch. In particular, adjustment of the neutral to 200% of the phase current requires setting protection L to respect the current-carrying capacity of the circuit breaker.

To provide protection of the installation by means of the PR232/P protection trip unit, it is necessary to select the rated network frequency (50/60 Hz) with the special dip-switch.



PR232/P - Protection functions and settings

Protection functions	Trip threshold	Trip curves ⁽¹⁾	Thermal memory ⁽²⁾	Excludability	Relation t = f(I)
<p>L CANNOT BE EXCLUDED</p> <p>Against overload with long inverse time delay trip and trip characteristic according to an inverse time curve ($I^2t=constant$)</p>	$I_1 = 0.40...1 \times I_n$ step = $0.04 \times I_n$ Trip between $1.1...1.3 \times I_1$ IEC 60947-2 UL 489	at $6 \times I_1$ $t_1 = 3s$ $t_1 = 6s$ $t_1 = 12s$ $t_1 = 18s$ Tolerance: $\pm 10\%$	■	–	$t = k/I^2$
<p>S CAN BE EXCLUDED</p> <p>Against short-circuit with inverse short time delay trip and trip characteristic with inverse time ($I^2t=constant$) or definite time</p>	$I_2 = 0.6 - 0.8 - 1.2 - 1.8 - 2.4 - 3 - 3.6 - 4.2 - 5 - 5.8 - 6.6 - 7.4 - 8.2 - 9 - 10 \times I_n$ Tolerance: $\pm 10\%$	at $10 \times I_n$ $t_2=0.1s$ $t_2=0.25s$ $t_2=0.5s$ $t_2=0.8s$ Tolerance: $\pm 10\%$	■	■	$t = k/I^2$
<p>I CAN BE EXCLUDED</p> <p>Against short-circuit with instantaneous trip</p>	$I_3 = 1.5 - 2.5 - 3 - 4 - 4.5 - 5 - 5.5 - 6.5 - 7 - 7.5 - 8 - 9 - 9.5 - 10.5 - 12 \times I_n$ Tolerance: $\pm 10\%$	$I > I_3$ $t_3=0.1s$ $t_3=0.25s$ $t_3=0.5s$ $t_3=0.8s$ Tolerance: $\pm 10\%$	–	■	$t = k$

⁽¹⁾ These tolerances hold in the following conditions:
 – self-powered trip unit at full power (without start-up)
 – two or three-phase power supply

In conditions other than those considered, the following tolerances hold:

	Trip threshold	Trip time
S	$\pm 10\%$	$\pm 20\%$
I	$\pm 15\%$	$\leq 60ms$




⁽²⁾ Active up to 7 min. after tripping of the breaker (ON/OFF setting by means of PR010/T test unit).

Power distribution circuit breakers

Electronic trip units

There are three red LEDs available on the front of the PR232/P trip unit dedicated to the signalling alarm of protections L, S, and I. Furthermore, a yellow flashing LED allows the state of pre-alarm of function L to be signalled, which is activated when 90% of the set trip threshold is reached. The yellow flashing LED every 3s indicates the normal operation.

PR232/P - Alarm and Pre-alarm LED

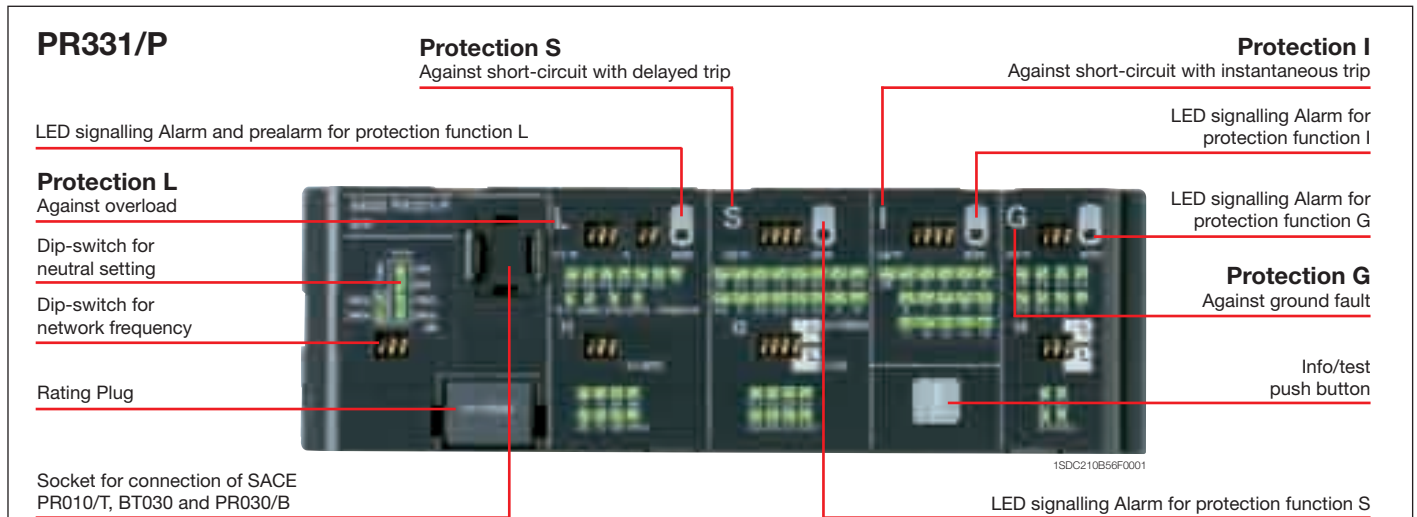
Protection	Colour	Pre-alarm	Alarm	Last trip
	Yellow	■	-	-
	Red	-	■	■
	Red	-	■	■
	Red	-	■	■

Following circuit breaker opening, it is possible to know which protection function made the trip unit trip by connecting the PR030/B battery unit onto the front of the trip unit. This is also possible thanks to the PR010/T test and configuration unit.





By means of the BT030 wireless communication unit the PR232/P can be connected to a PDA or to a personal computer, extending the range of information available for the user. In fact, by means of the ABB SACE's SD-Pocket communication software, it is possible to read the values of the currents flowing through the circuit breaker, the value of the last 20 interrupted currents, and the protection settings.

PR331/P – Tmax T7

The PR331/P, available for Tmax T7 in the PR331/P-LSIG version, is suitable for protecting a wide range of alternating current installations with its complete range of protection functions together with the wide combination of thresholds and trip times offered. In addition the unit is provided with multifunction LED indicators. Furthermore, PR331/P allows connection to external devices enhancing its advanced characteristics like remote signalling and monitoring, or interface from front of HMI030 panel.



PR331/P - Protection functions and settings

Protection functions	Trip threshold	Trip curves ⁽¹⁾	Excludability	Relation t = f(I)
 CANNOT BE EXCLUDED	$I_1 = 0.40 \dots 1 \times I_n$ step = $0.025 \times I_n$ Trip between $1.05 \dots 1.2 \times I_1$	at $3 \times I_1$ $t_1 = 3 - 12 - 24 - 36 - 48 - 72 - 108 - 144s$ Tolerance: $\pm 10\%$ up to $6 \times I_n$ $\pm 20\%$ above $6 \times I_n$	-	$t = k/I^2$
 CAN BE EXCLUDED	$I_2 = 0.6 - 0.8 - 1.2 - 1.8 - 2.4 - 3 - 3.6 - 4.2 - 5 - 5.8 - 6.6 - 7.4 - 8.2 - 9 - 10 \times I_n$ Tolerance: $\pm 7\%$ up to $6 \times I_n$ $\pm 10\%$ above $6 \times I_n$	at $10 \times I_n$ $t_2 = 0.1 \dots 0.8s$ step = $0.1s$ Tolerance: min ($\pm 10\%$, $\pm 40ms$)	■	$t = k/I^2$
 CAN BE EXCLUDED	$I_3 = 0.6 - 0.8 - 1.2 - 1.8 - 2.4 - 3 - 3.6 - 4.2 - 5 - 5.8 - 6.6 - 7.4 - 8.2 - 9 - 10 \times I_n$ Tolerance: $\pm 7\%$ up to $6 \times I_n$ $\pm 10\%$ above $6 \times I_n$	$I > I_3$ $t_2 = 0.1 \dots 0.8s$ step = $0.1s$ Tolerance: $\pm 15\%$ up to $6 \times I_n$ $\pm 20\%$ above $6 \times I_n$	■	$t = k$
 CAN BE EXCLUDED	$I_4 = 1.5 - 2 - 3 - 4 - 5 - 6 - 7 - 8 - 9 - 10 - 11 - 12 - 13 - 14 - 15 \times I_n^{(2)}$ Tolerance: $\pm 10\%$	$\leq 30 ms$	■	$t = k$
	$I_4 = 0.2 - 0.3 - 0.4 - 0.6 - 0.8 - 0.9 - 1 \times I_n$ Tolerance: $\pm 7\%$	$4.47 \times I_4$ $3.16 \times I_4$ $2.24 \times I_4$ $1.58 \times I_4$ $t_4=0.1s$ $t_4=0.2s$ $t_4=0.4s$ $t_4=0.80s$ Tolerance: $\pm 15\%$	■	$t = k/I^{(2)}$ ⁽³⁾
	$I_4 = 0.2 - 0.3 - 0.4 - 0.6 - 0.8 - 0.9 - 1 \times I_n$ Tolerance: $\pm 7\%$	$t_4=0.1s$ $t_4=0.2s$ $t_4=0.4s$ $t_4=0.80s$ Tolerance: min ($\pm 10\%$, $\pm 40ms$)	■	$t = k$

⁽¹⁾ These tolerances hold in the following conditions:
 - self-powered trip unit at full power and/or auxiliary supply
 - two or three-phase power supply
 In conditions other than those considered, the following tolerances hold:

	Trip threshold	Trip time
L	Release between 1.05 and $1.25 \times I_1$	$\pm 20\%$
S	$\pm 10\%$	$\pm 20\%$
I	$\pm 15\%$	$\leq 60ms$
G	$\pm 15\%$	$\pm 20\%$

⁽²⁾ For T7 $I_n = 1200 A \Rightarrow I_{3,max} = 12 \times I_n$
⁽³⁾ $t = k/I^2$ up to the current value indicated, $t = k$ equating to the chosen setting) beyond the current value indicated

Power distribution circuit breakers

Electronic trip units

User interface

The user communicates directly with the trip unit by means of the dip switches. Up to four LEDs (according to the version) are also available for signalling. These LEDs (one for each protection) are active when:

- a protection is timing. For protection L the pre-alarm status is also shown;
- a protection has tripped (the corresponding LED is activated by pressing the “Info/Test” pushbutton);
- a failure in connection of a current sensor or in the trip coil is detected. The indication is active when the unit is powered (through current sensors or an auxiliary power supply)
- wrong rating plug for the circuit breaker.

The protection tripped indication works even with the circuit breaker open, without the need for any internal or external auxiliary power supply. This information is available for 48 hours of inactivity after the trip and is still available after reclosing. If the query is made more than 48 hours later it is sufficient to connect a PR030/B battery unit, PR010/T, or a BT030 wireless communication unit.

Setting the neutral

Protection of the neutral can be set at 50%, 100% or 200% of the phase currents. In particular, adjustment of the neutral at 200% of the phase current is possible if the following inequality is respected: $I_n \times I_n \times \%N < I_u$. The user can also switch the neutral protection OFF.

Test function

The Test function is carried out by means of the Info/Test pushbutton and the PR030/B battery unit (or BT030) fitted with a polarized connector housed on the bottom of the box, which allows the device to be connected to the test connector on the front of PR331/P trip units. The PR331/P electronic trip unit can be tested by using the SACE PR010/T test and configuration unit by connecting it to the TEST connector.

Power supply

The unit does not require an external power supply for protection functions or for alarm signalling functions. It is self-supplied by means of the current sensors installed on the circuit breaker.

For operation, it is required for the three phases to be passed through by a current of 70 A. An external power supply can be connected in order to activate additional features, and in particular for connection to external devices: HMI030 and PR021/K.

PR331/P - Electrical characteristics

Auxiliary power supply (galvanically insulated)	24 V DC \pm 20%
Maximum ripple	\pm 5%
Inrush current @ 24 V	~1 A for 5 ms
Rated power @ 24 V	~2 W

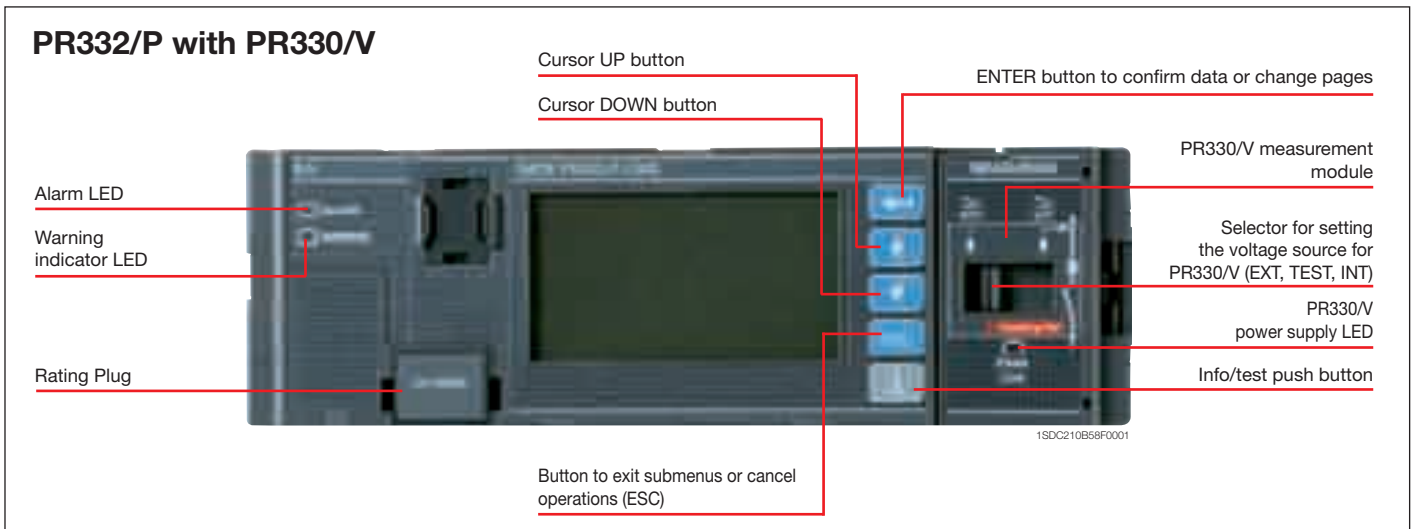
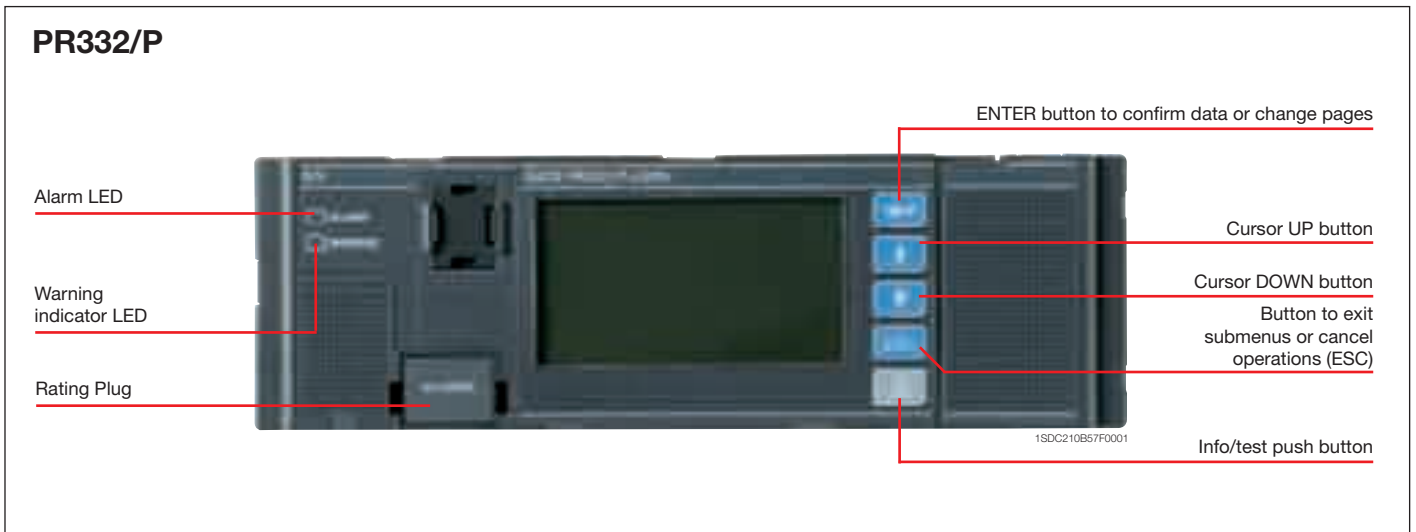
Communication

By means of the BT030 wireless communication unit, PR331/P can be connected to a PDA or to a personal computer, extending the range of information available for the user. In fact, using ABB's SD-Pocket communication software, it is possible to read the values of the currents flowing through the circuit breaker, the value of the last 20 interrupted currents, and the protection settings.

PR331/P can also be connected to the optional external PR021/K signalling unit, for the remote signalling of protections alarms and trips, and to HMI030, for the remote user interfacing.

PR332/P – Tmax T7

The SACE PR332/P trip unit for Tmax T7 (available in four versions: PR332/P-LI, PR332/P-LSI, PR332/P-LSIG) is a sophisticated and flexible protection system based on a state-of-the-art microprocessor and DSP technology. Fitted with the optional internal PR330/D-M dialogue unit, PR332/P turns into an intelligent protection, measurement and communication device based on the Modbus® RTU protocol. By means of the PR330/D-M, PR332/P can also be connected to the ABB EP010 Fieldbus plug adapter, which makes it possible to choose among several different networks, such as Profibus and DeviceNet. The new PR332/P is the result of ABB SACE's experience in designing trip units. The exhaustive range of settings makes this protection unit ideal for general use in power distribution. Access to information and programming using a keyboard and graphic liquid crystal display is extremely simple and intuitive. An integrated ammeter and many other additional features are provided over and above the protection functions. These additional functions can be further increased with addition on board of the dialogue, signalling, measurement, and wireless communication units. All the thresholds and trip curve delays of the protection functions are stored in special memories which retain the information even when no power is supplied.



Power distribution circuit breakers

Electronic trip units

PR332/P - Protection functions and settings

Protection functions	Trip threshold	Trip curves ⁽¹⁾	Excludability	Relation $t = f(I)$	Thermal memory ⁽²⁾	Zone selectivity ⁽²⁾
L Against overload with inverse long-time delay trip	$I_1 = 0.4 \dots 1 \times I_n$ step = $0.01 \times I_n$ Trip between $1.05 \dots 1.2 \times I_1$	at $I = 3 \times I_1$ $t_2 = 3 \dots 144s$ step = 3s Tolerance: $\pm 10\%$ up to $6 \times I_n$ $\pm 20\%$ above $6 \times I_n$	–	$t = k/I^2$	■	–
	$I_1 = 0.4 \dots 1 \times I_n$ step = $0.01 \times I_n$ Trip between $1.05 \dots 1.2 \times I_1$	$t_2 = 3 \dots 144s$ step = 3s Tolerance: $\pm 10\%$ up to $6 \times I_n$ $\pm 20\%$ above $6 \times I_n$	■	$t = f(\alpha)^{(3)}$ $\alpha = 0.02-1-2$	■	–
S Against short-circuit with short inverse time-delay trip and trip characteristic with inverse time ($I^2t=k$) or with definite time	$I_2 = 0.6 \dots 10 \times I_n$ step = $0.1 \times I_n$ Tolerance: $\pm 7\%$ up to $6 \times I_n$ $\pm 10\%$ above $6 \times I_n$	at $10 \times I_n$ $t_2 = 0.05 \dots 0.8s$ step = 0.01s Tolerance: $\pm 15\%$ up to $6 \times I_n$ $\pm 20\%$ over $6 \times I_n$	■	$t = k/I^2$	■	–
	$I_2 = 0.6 \dots 10 \times I_n$ step = $0.1 \times I_n$ Tolerance: $\pm 7\%$ up to $6 \times I_n$ $\pm 10\%$ above $6 \times I_n$	$t_2 = 0.05 \dots 0.8s$ step = 0.01s $t_2 \text{ sel} = 0.04 \dots 0.2s$ step = 0.01s Tolerance: min ($\pm 10\%$; $\pm 40ms$)	■	$t = k$	–	■
I Against short-circuit with adjustable instantaneous trip	$I_3 = 1.5 \dots 15 \times I_n$ step = $0.1 \times I_n$ Tolerance: $\pm 10\%$	$\leq 30 \text{ ms}$	■	$t = k$	–	–
G Against ground fault with short inverse time-delay trip and trip characteristic according to an inverse time curve ($I^2t=k$) or with definite time	$I_4 = 0.2 \dots 1 \times I_n$ step = $0.02 \times I_n$ Tolerance: $\pm 7\%$	$t_4 = 0.1 \dots 1s$ step = 0.05s Tolerance: $\pm 15\%$	■	$t = k/I^2$ ⁽⁵⁾	–	–
	$I_4 = 0.2 \dots 1 \times I_n$ step = $0.02 \times I_n$ Tolerance: $\pm 7\%$	$t_4 = 0.1 \dots 1s$ step = 0.05s $t_4 \text{ sel} = 0.04 \dots 0.2s$ step = 0.05s Tolerance: min ($\pm 10\%$; $\pm 40ms$)	■	$t = k$	–	■
OT Against overtemperature of the trip unit with instantaneous trip	Trip unit temperature over $85 \text{ }^\circ\text{C}$	instantaneous	–	temp = k	–	–
U Against unbalanced phase with definite time-delay trip	$I_6 = 2\% \dots 90\% \times I_1$ step = $1\% \times I_1$ Tolerance: $\pm 10\%$	$t_6 = 0.5 \dots 60 \text{ s}$ step = 0.5s Tolerance: min ($\pm 20\%$; $\pm 100ms$)	■	$t = k$	–	–

PR332/P with PR330/V - Advanced protection functions and settings

Advanced protection functions	Trip threshold	Trip curves ⁽¹⁾	Excludability	Relation $t = f(I)$	Thermal memory ⁽²⁾	Zone selectivity
UV Against undervoltage with adjustable constant time	$U_9 = 0.5 \dots 0.95 \times U_n$ step = $0.01 \times U_n$ Tolerance: $\pm 5\%$	$t_9 = 0.1 \dots 5s$ step = 0.1s Tolerance: min ($\pm 20\%$ $\pm 100ms$)	■	$t = k$	–	–
OV Against overvoltage with adjustable constant time	$U_9 = 1.05 \dots 1.2 \times U_n$ step = $0.01 \times U_n$ Tolerance: $\pm 5\%$	$t_9 = 0.1 \dots 5s$ step = 0.1s Tolerance: min ($\pm 20\%$ $\pm 100ms$)	■	$t = k$	–	–
RV Against residual voltage with adjustable constant time	$U_{10} = 0.1 \dots 0.4 \times U_n$ step = $0.01 \times U_n$ Tolerance: $\pm 5\%$	$t_{10} = 0.5 \dots 30s$ step = 0.5s Tolerance: min ($\pm 10\%$ $\pm 100ms$)	■	$t = k$	–	–
RP Against reversal of power with adjustable constant time	$P_{11} = -0.3 \dots -0.1 \times P_n$ step = $0.02 \times P_n$ Tolerance: $\pm 10\%$	$t_{11} = 0.5 \dots 25s$ step = 0.1s Tolerance: min ($\pm 10\%$ $\pm 100ms$)	■	$t = k$	–	–
UF Against underfrequency with adjustable constant time	$f_{12} = 0.90 \dots 0.99 \times f_n$ step = $0.01 \times f_n$ Tolerance: $\pm 5\%$	$t_{12} = 0.5 \dots 3s$ step = 0.1s Tolerance: min ($\pm 10\%$ $\pm 100ms$)	■	$t = k$	–	–
OF Against overfrequency with adjustable constant time	$f_{13} = 1.01 \dots 1.10 \times f_n$ step = $0.01 \times f_n$ Tolerance: $\pm 5\%$	$t_{13} = 0.5 \dots 3s$ step = 0.1s Tolerance: min ($\pm 10\%$ $\pm 100ms$)	■	$t = k$	–	–

⁽¹⁾ These tolerances are valid under the following conditions:
– trip unit self-supplied at full power and/or auxiliary supply
– two or three-phase power supply
In conditions other than those considered, the following tolerances hold:

	Trip threshold	Trip time
L	Release between 1.05 and $1.25 \times I_1$	$\pm 20\%$
S	$\pm 10\%$	$\pm 20\%$
I	$\pm 15\%$	$\leq 60ms$
G	$\pm 15\%$	$\pm 20\%$
Other	$\pm 10\%$	$\pm 20\%$

⁽²⁾ Active with 24V auxiliary power supply

⁽³⁾ $t = \frac{(3^\alpha - 1)}{\left(\frac{1}{I_1}\right)^\alpha - 1} t_1 (3 \times I_1)$

⁽⁴⁾ For $T7 \text{ In} = 1000 \text{ A} \Rightarrow I_{3\text{max}} = 12 \times I_n$
⁽⁵⁾ $k = (2s) \cdot (I_2)^2$

Setting the neutral

In PR332/P, the neutral protection is 50% of the value set for phase protection in the standard version. The neutral protection can be excluded or set to 100%.

In installations where very high harmonics occur, the resulting current at the neutral can be higher than that of the phases. Therefore it is possible to set the neutral protection at 150% or 200% of the value set for the phases. In this case it is necessary to reduce the setting of L protection accordingly. The table below lists the neutral settings for the various possible combinations between type of circuit breaker and the threshold I_1 setting.

Adjustable neutral protection settings

Threshold I_1 settings (overload protection)

Circuit breaker model	$0.4 < I_1 < 0.5$	$0.5 < I_1 < 0.66$	$0.66 < I_1 < 1^{(*)}$
T7	0-50-100-150-200%	0-50-100-150%	0-50-100%

^(*) The setting $I_1 = 1$ indicates the maximum overload protection setting. The actual maximum setting allowable must take into account any derating based on temperature, the terminals used and the altitude (see the "Installations" chapter)

Start-up function

The start-up function allows protections S, I and G to operate with higher trip thresholds during the start-up phase. This avoids untimely tripping caused by the high inrush currents of certain loads (motors, transformers, lamps).

The start-up phase lasts from 100 ms to 30 s, in steps of 0.01 s. It is automatically recognized by the PR332/P trip unit when the peak value of the maximum current exceeds the threshold that can be set by the user. A new start-up becomes possible after the current has fallen down to $0.1 \times I_n$, if the trip unit is supplied from an external source.

Protection against overtemperature

The user has the following signals or commands available for protection against overtemperature:

- lighting up of the "Warning" LED when the temperature is higher than 70 °C or lower than -20 °C (temperature at which the microprocessor is still able to operate correctly);
- lighting up of the "Alarm" LED when the temperature is higher than 85 °C or lower than -25 °C (temperature above which the microprocessor can no longer guarantee correct operation) and, when decided during the unit configuration stage, simultaneous opening of the circuit breaker with indication of the trip directly on the display, as for the other protections.

Self-diagnosis

The PR332/P range of trip units contains an electronic circuit which periodically checks the continuity of internal connections (trip coil and each current sensor, including the Source Ground Return when present).

In the case of a malfunction an alarm message appears directly on the display. The Alarm is highlighted by the Alarm LED as well.

Test Functions

Once enabled from the menu, the "Info/Test" pushbutton on the front of the trip unit allows correct operation of the chain consisting of the microprocessor, trip coil and circuit breaker tripping mechanism to be checked.

The control menu also includes the option of testing correct operation of the display, signalling LEDs. By means of the front multi-pin connector it is possible to apply a SACE PR010/T Test unit which allows the functions of the PR222DS/P, PR222DS/PD-A, PR232/P, PR331/P and PR332/P ranges of trip units to be tested and checked.

Power distribution circuit breakers

Electronic trip units

User interface

The human-machine interface (HMI) of the device is made up of a wide graphic display, LEDs, and browsing pushbuttons. The interface is designed to provide maximum simplicity.

The language can be selected from among five available options: Italian, English, German, French and Spanish.

As in the previous generation of trip units, a password system is used to manage the “Read” or “Edit” modes. The default password, 0001, can be modified by the user.

The protection parameters (curves and trip thresholds) can be set directly via the HMI of the device. The parameters can only be changed when the trip unit is operating in “Edit” mode, but the information available and the parameter settings can be checked at any time in “Read” mode.

When a communication device (internal PR330/D-M module or external BT030 device) is connected, it is possible to set parameters simply by downloading them into the unit (over the network for PR330/D-M, by using the SD-Pocket software and a PDA or a notebook for BT030). Settings can then be carried out quickly and automatically in an error-free way by transferring data directly from DocWin.

Indicator LEDs

LEDs on the front panel of the trip unit are used to indicate all the warnings and alarms. A message on the display always explicitly indicates the type of event that has concerned.

Example of events indicated by the “WARNING” LED:

- unbalance between phases;
- pre-alarm for overload ($L1 > 90\% \times I_n$);
- first temperature threshold exceeded (70 °C);
- contact wear beyond 80%;
- phase rotation reversed (with optional PR330/V).

Example of events indicated by the “ALARM” LED:

- timing of function L;
- timing of function S;
- timing of function G;
- second temperature threshold exceeded (85 °C);
- contact wear 100%;
- timing of Reverse Power flow protection (with optional PR330/V).

Data logger

PR332/P is provided with the Data Logger function that automatically records the instantaneous values of all the currents and voltages in a wide memory buffer. Data can be easily downloaded from the unit by means of SD-Pocket or SD-TestBus2 applications and can be transferred to any personal computer for elaboration. The function freezes the recording whenever a trip occurs or in case of other events, so that a detailed analysis of faults can be easily performed. SD-Pocket and SD-TestBus2 also allow reading and downloading of all the other trip information.

- Number of analog channels: 8
- Maximum sampling rate: 4800 Hz
- Maximum sampling time: 27 s (@ sampling rate 600 Hz)
- 64 events tracking.

Trip information and opening data

In case a trip occurs PR332/P store all the needed information:

- Protection tripped
- Opening data (current)
- Time stamp (guaranteed with auxiliary supply or self-supply with power failure no longer than 48h).

By pushing the “Info/Test” pushbutton the trip unit shows all these data directly on display.

No auxiliary power supply is needed. The information is available to user for 48 hours with the circuit breaker open or without current flowing.

The information of the latest 20 trips are stored in memory.

If the information can be furthermore retrieved more than 48 hours later, it is sufficient to connect a PR030/B battery unit or a BT030 wireless communication unit.

Load control

Load control makes it possible to engage/disengage individual loads on the load side before the overload protection L is tripped, thereby avoiding unnecessary trips of the circuit breaker on the supply side. This is done by means of contactors or disconnect switches (externally wired to the trip unit), controlled by the PR332/P through PR021/K unit.

Two different Load Control schemes can be implemented:

- disconnection of two separate loads, with different current thresholds
- connection and disconnection of a load, with hysteresis.

Current thresholds and trip times are smaller than those available for selection with protection L, so that load control can be used to prevent overload tripping. External PR021/K accessory unit is required for Load Control. The function is only active when an auxiliary power supply is available.

PR330/V Measurement Module

This optional internal module, installed in PR332/P, allows the trip unit to measure the phase and neutral voltages and to process them in order to achieve a series of features, in terms of protection and measurement.

The PR330/V module when ordered mounted on the circuit breaker, does not require any external connection or voltage transformers since it is connected internally to the upper terminals of Tmax T7 (selector in “INT” position) through the internal voltage sockets. When necessary, the connection of voltage pickups can be moved to any other point (i.e. lower terminals), by using the alternative connection located in the terminal box and by switching the selector to the “EXT” position. For the dielectric test of the circuit breaker the selector must be switched to the “Insulating TEST” position. PR330/V is able to energize the PR332/P while line voltage input is above 85 V. The use of Voltage Transformers is mandatory for rated voltages higher than 690 V.

Voltage transformers shall have burdens between 5 VA and 10 VA and accuracy class 0.5 or better.

Additional Protections with PR330/V:

- Undervoltage (UV) protection
- Overvoltage (OV) protection
- Residual voltage (RV) protection
- Reversal of power (RP) protection
- Underfrequency (UF) protection
- Overfrequency (OF) protection.

All the above indicated protections can be excluded, although it is possible to leave only the alarm active when required: in this case the trip unit will indicate the “ALARM” status. With the circuit breaker closed, these protections also operate when the trip unit is self-supplied. With the circuit breaker open, they operate when the auxiliary power supply (24 V DC or PR330/V) is present.

Power distribution circuit breakers

Electronic trip units

Measurement function

The current measurement function (ammeter) is present on all versions of the PR332/P trip unit. The display shows histograms showing the currents of the three phases and neutral on the main page. Furthermore, the most loaded phase current is indicated in numerical format. Ground fault current, where applicable, is shown on a dedicated page.

The latter current value takes on two different meanings depending on whether the external toroidal transformer for the "Source Ground Return" function or the internal transformer (residual type) is connected. The ammeter can operate either with self-supply or with an auxiliary power supply voltage. The display is rear-lit and the ammeter is active even at current levels lower than 160 A.

Accuracy of the ammeter measurement chain (current sensor plus ammeter) is no more than 1.5% in the $0.3-6 \times I_n$ current interval of I_n .

- Currents: three phases (L1, L2, L3), neutral (Ne) and ground fault;
- Instantaneous values of currents during a period of time (data logger);
- Maintenance: number of operations, percentage of contact wear, opening data storage (last 20 trips and 20 events).

When the optional PR330/V is connected the following additional measurement functions are present:

- Voltage: phase-phase, phase-neutral and residual voltage
- Instantaneous values of voltages during a period of time (data logger)
- Power: active, reactive and apparent
- Power factor
- Frequency and peak factor
- Energy: active, reactive, apparent, counter.

Communication

PR332/P electronic trip unit can be fitted with communication modules, which make possible to exchange data and information with other industrial electronic devices by means of a network.

The basic communication protocol implemented is Modbus RTU, a well-known standard of widespread use in industrial automation and power distribution equipment. A Modbus RTU communication interface can be connected immediately and exchange data with the wide range of industrial devices using the same protocol. ABB has developed a complete series of accessories for electronic trip unit PR332/P:

- PR330/D-M is the communication module for PR332/P protection trip units. It is designed to allow easy integration of the Tmax circuit breakers in a Modbus network. The Modbus RTU protocol is used widely in the power and the automation industries. It is based on a master/slave architecture, with a bandrate of up to 19.2 kbps. A standard Modbus network is easily wired up and configured by means of an RS485 physical layer. ABB SACE trip units work as slaves in the field bus network. All information required for simple integration of PR330/D-M in an industrial communication system is available on the ABB Web page.
- BT030 is a device to be connected to the Test connector of PR222DS/P, PR222DS/PD-A, PR232/P, PR331/P and PR332/P trip units. It allows Bluetooth communication between the trip unit and a PDA or a Notebook with a Bluetooth port. This device is dedicated to use with the SD-Pocket or SD-TestBus2 application. It can provide the auxiliary supply needed to energize the protection trip unit by means of rechargeable batteries.
- EP010-FBP-PDP22 is the Fieldbus Plug interface allows connection of ABB SACE trip units with Modbus communication to a Profibus, DeviceNet, or AS-I field bus network.

Furthermore, a new generation of software dedicated to installation, configuration, supervision and control of protection trip units and circuit- breakers is now available:

- SD-View 2000
- SD-Pocket
- SD-TestBus2.

All information required for simple integration of PR330/D-M in an industrial communication system are available on the ABB Web page (<http://www.abb.com>).

Measurement, signalling and available data functions

Details about functions available on PR332/P, trip units with PR330/D-M and EP010 – FBP – PDP22 are listed in the table below:

	PR332/P + PR330/D-M	PR332/P + PR330/D-M and EP010
Communication functions		
Protocol	Modbus RTU standard	FBP-PDP22
Physical means	RS485	Profibus-DP or DeviceNet cable
Speed (maximum)	19.2 kbps	115 kbps
Measurement functions		
Phase currents	■	■
Neutral current	■	■
Ground current	■	■
Voltage (phase-phase, phase-neutral, residual)	opt. ⁽¹⁾	opt. ⁽¹⁾⁽²⁾
Power (active, reactive, apparent)	opt. ⁽¹⁾	opt. ⁽¹⁾⁽³⁾
Power factor	opt. ⁽¹⁾	⁽⁴⁾
Frequency and peak factor	opt. ⁽¹⁾	⁽⁴⁾
Energy (active, reactive, apparent)	opt. ⁽¹⁾	⁽⁴⁾
Harmonic analysis	–	–
Signalling functions		
LED: auxiliary power supply, pre-alarm, alarm, transmission, reception	■	■
Temperature	■	■
Indication for L, S, I, G and other protection	■	■
Available data		
Circuit breaker status (open, closed)	■	■
Circuit breaker position (racked-in, racked-out)	■	■
Mode (local, remote)	■	■
Protection parameters set	■	■
Load control parameters	■	■
Alarms		
Protections: L, S, I, G	■	■
Undervoltage, overvoltage and residual voltage protection (timing and trip)	opt. ⁽¹⁾	opt. ⁽¹⁾
Reverse power protection (timing and trip)	opt. ⁽¹⁾	opt. ⁽¹⁾
Directional protection (timing and trip)	–	–
Underfrequency/overfrequency protection (timing and trip)	opt. ⁽¹⁾	opt. ⁽¹⁾
Phases rotation	–	–
Failed tripping under fault conditions	■	■
Maintenance		
Total number of operations	■	■
Total number of trips	■	■
Number of trip tests	■	■
Number of manual operations	■	■
Number of separate trips for each protection function	■	■
Contact wear (%)	■	■
Record data of last trip	■	■
Commands		
Circuit breaker open/close	■	■
Alarms reset	■	■
Setting of curves and protection thresholds	■	■
Synchronize system time	■	■
Events		
Status changes in circuit breaker, protections and all alarms	■	■

⁽¹⁾ With PR330/V

⁽²⁾ No residual voltage

⁽³⁾ No apparent power available

⁽⁴⁾ Please ask ABB for further details

Power distribution circuit breakers

Electronic trip units

Power supply

The PR332/P trip unit does not normally require any external power supplies, being self-supplied from the current sensors (CS): to activate the protection and ammeter functions, it is sufficient for at least one phase to have a current load higher than 80 A.

The unit ensures fully self-supplied operation. When an auxiliary power supply is present, it is also possible to use the unit with the circuit breaker either open or closed with very low current flowing through (<80 A).

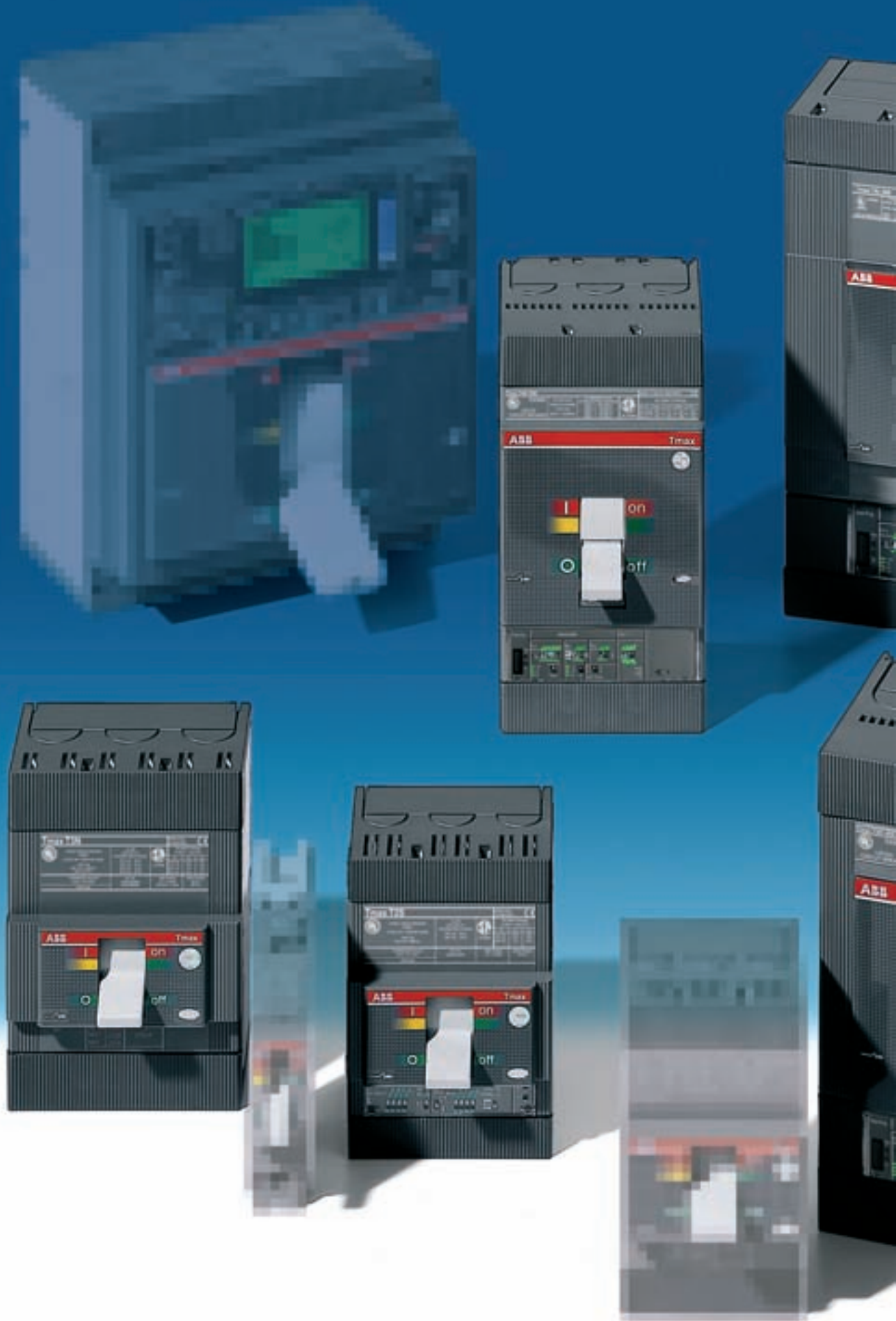
It is also possible to use an auxiliary power supply provided by the PR030/B portable battery unit, which allows the protection functions to be set when the trip unit is not self supplied.

PR332/P stores and shows all the information needed after a trip (protection tripped, trip current, time, date). No auxiliary supply is required.

	PR332/P	PR330/D-M
Auxiliary power supply (galvanically insulated)	24 V DC \pm 20%	from PR332/P
Maximum ripple	\pm 5%	\pm 5%
Inrush current @ 24 V	\sim 1 A for 5 ms	\sim 0.5 A for 5 ms
Rated power @ 24 V	\sim 3 W	+1 W

PR330/V can give power supply to the trip unit when at least one line voltage is equal or higher to 85V RMS.

Motor Protection





Motor Control Protection circuit breakers: MCP



Index

Motor Control Protection circuit breakers: MCP

Electrical characteristics	2/34
General characteristics.....	2/36

Motor Control Protection circuit breakers: MCP

Electrical characteristics



MCP

Type		Tmax T2		Tmax T3	Tmax Ts3		
Frame size		100		225	150-225		
Poles		3		3	3		
Ratings		20...100		100...200	3...25	50...150	175...200
Icu		S	H	S	L	L	L
	240 V AC	65	150	65	50	150	150
	480 V AC	35	65	35	25	85	65
	600Y/347 V AC			10			
	600 V AC				10	25	
	500VDC			35	65 ⁽¹⁾	65	50
	600VDC				50	50	
Trip unit	Adjustable magnetic only (6...12xIn)	■	■	■			
	Adjustable magnetic only (4...12xIn)				■	■	■
	PR221DS-I	■	■				
	PR231/P-I						

⁽¹⁾ Only for 25A rating



2

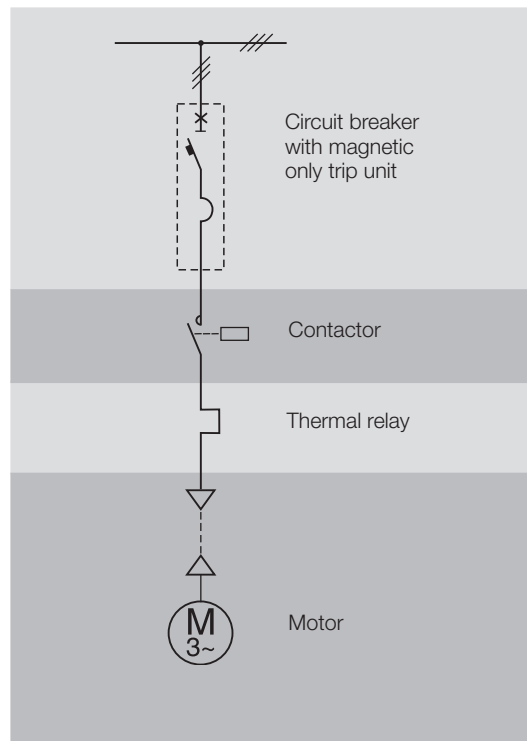
Tmax T4				Tmax T5				Tmax T6				Tmax T7		
250				400-600				800				1000-1200		
3				3				3				3		
100-150-250				300-400-600				600-800				1000-1200		
N	S	H	L	N	S	H	L	N	S	H	L	S	H	L
65	100	150	200	65	100	150	200	65	100	200	200	65	100	150
25	35	65	100	25	35	65	100	35	50	65	100	50	65	100
18	25	35	65	18	25	35	65	20	25	35	42	25	50	65
■	■	■	■	■	■	■	■	■	■	■	■	■	■	■

Motor Control Protection circuit breakers: MCP

General characteristics

MCP circuit breakers are used to protect three phase asynchronous motors. The traditional system used for this purpose is based on three different devices: a circuit breaker for protection against short-circuit, a thermal relay for protection against overload and phase loss or unbalance of phase, and a contactor for motor switching. All this has to take into account the problems that arise at the moment of the motor starting. In particular, when selecting these devices, different factors must be taken into consideration, such as:

- the motor power;
- the diagram and type of starting;
- the type of motor: with cage rotor or with wound rotor;
- the fault current at the point of the network where the motor is installed.




Protection against short-circuit


ABB offers two different protection types:

- a magnetic only trip unit (MA) for Tmax T2 and T3 with adjustable threshold between $6...12 \times I_n$, for Ts3 with adjustable threshold between $4...12 \times I_n$;
- an electronic trip unit with only an instantaneous short circuit protection I, PR221DS-I for Tmax T4, T5 and T6, and PR231/P-I for Tmax T7.

MA – Magnetic only trip unit (for T2 and T3)

 $I_3 = 6...12 \times I_n$	In [A]	20	50	100	125	150	200
	T2	■	■	■			
	T3			■	■	■	■
	I_3 [A]	120...240	300...600	600...1200	750...1500	900...1800	1200...2400


MA – Magnetic only trip unit (for Ts3)

 $I_3 = 4...12 \times I_n$	In [A]	3	5	10	25	50	100	125	150	175	200
	Ts3	■	■	■	■	■	■	■	■	■	■
	I_3 [A]	12...36	20...60	40...120	100...300	200...600	400...1200	500...1500	600...1800	700...2100	800...2400

Electronic trip units

In [A]	100	150	250	300	400	600	800	1000	1200
T4	■	■	■						
T5				■	■	■			
T6						■	■		
T7								■	■
Trip current function I									
I_3 [A]	100...1000	150...1500	250...2500	300...3000	400...4000	600...6000	800...8000	1000...12000	1200...14400

PR221DS-I


Protection function	Trip threshold	Excludability	Relation t=f(I)
 Against short-circuit with adjustable instantaneous trip	$I_3 = 1 - 1.5 - 2 - 2.5 - 3 - 3.5 - 4.5 - 5.5 - 6.5 - 7 - 7.5 - 8 - 8.5 - 9 - 10 \times I_n$ Tolerance: ± 20% (T2) ± 10% (T4-T5, T6)	■	t = k

Note: The tolerances are valid under the following hypotheses:
 – relay self-supplied on running and/or auxiliary power supply (without start up)
 – two-phase or three-phase power supply.

In all the cases not foreseen by the above-mentioned hypotheses, the following tolerance values are valid:

I	Trip threshold	Trip time
	± 20%	≤ 40ms

PR231P-I

Protection function	Trip threshold	Excludability	Relation t=f(I)
 Against short-circuit with adjustable instantaneous trip	$I_3 = 1 - 1.5 - 2 - 2.5 - 3 - 3.5 - 4.5 - 5.5 - 6.5 - 7 - 7.5 - 8 - 8.5 - 9 - 10 \times I_n$ Tolerance: ± 10%	–	t = k

Note: The tolerances are valid under the following hypotheses:
 – relay self-supplied on running and/or auxiliary power supply (without start up)
 – two-phase or three-phase power supply.

In all the cases not foreseen by the above-mentioned hypotheses, the following tolerance values are valid:

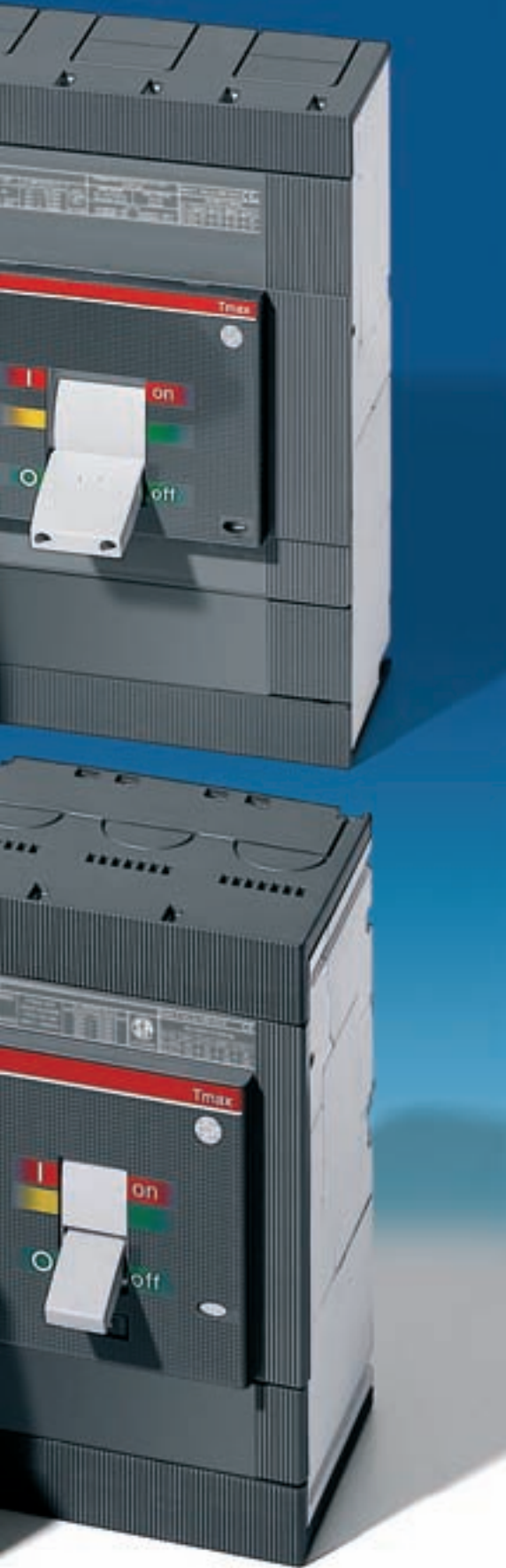
I	Trip threshold	Trip time
	± 15%	≤ 60ms

Molded Case Switches





Molded Case Switches: MCS



Index

Molded Case Switches: MCS

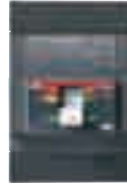
Electrical characteristics	2/40
----------------------------------	------

Molded Case Switches: MCS

Electrical characteristics

The MCS can be used as a general circuit breakers in sub-switch-boards, switching and isolation parts for lines, busbars or groups of apparatus, or as bus-ties. They can be part of a general isolation device of groups of machines or of complexes for motor operation and protection.

The MCS are derived from the corresponding circuit breakers of which they keep the overall dimensions, versions, fixing systems and the possibility of mounting accessories. All the molded case switches in accordance with UL 489 and CSA C22.2 Standards are self protected.



2

MCS

Type	
Rating	[A]
Poles	[Nr]
Magnetic override	[A]
Rated Voltage	AC (50-60 Hz) [V]
	DC [V]

	Tmax T1N-D	Tmax T3S-D	Tmax T3S-D	Tmax Ts3H-D 150	Tmax Ts3H-D 225
Rating	100	150	225	150	225
Poles	3-4	3-4	3-4	3-4	3-4
Magnetic override	1000	1500	2250	1500	2250
Rated Voltage AC (50-60 Hz)	600Y/347	600Y/347	600Y/347	600	480
Rated Voltage DC	500	500	500	600	500

Isolation

MCS's main function is to isolate the circuit they are inserted in. Once the contacts are open they are at a distance which prevents an arc from striking, in accordance with the standards regarding isolation behaviour. The position of the operating lever corresponds with the position of the contacts (positive operation).

Protection

Each molded case switch must be protected on the supply side by a device which safeguards it against short-circuits.



Tmax T4N-S-H-L-V-D	Tmax T5N-S-H-L-V-D	Tmax T6H-D	Tmax T7H-D
250	400-600	800	1200
3-4	3-4	3-4	3-4
3000	5000	10000	20000
600	600	600	600
600	600	600	-

Current Limiting





Current Limiting



Index

Current Limiting

Electrical characteristics2/44

Current Limiting

Electrical characteristics

Present 3 poles UL circuit breakers Tmax T2 H, Tmax T4 H and T4 V and Tmax T5 H 400 A and T5 V 400 A have been undergone to specific tests according to UL 489 in order to be classified as UL Current Limiting circuit breakers.

These breakers have peculiar characteristics in terms of limitation of peak current and limitation of specific let-through energy.

According to UL 489 standard, Current Limiting circuit breakers will be signed "Current Limiting" on the front and will have a label on the right side specifying peak current and specific let-through energy values.

Accessories and trip units are the same ones as those available for standard UL Tmax MCCBs.

Tmax Current Limiting

Type		Tmax T2	Tmax T4		Tmax T5	
Frame size	[A]	100	250		400	
Number of poles	[Nr]	3	3		3	
Rated voltage	AC (50-60 Hz)	480	600		600	
	DC		600		600	
Interrupting ratings		H	H	V	H	V
	240 V AC [kA rms]	150	150	200	150	200
	277 V AC [kA rms]					
	347 V AC [kA rms]					
	480 V AC [kA rms]	65	65	150	65	150
	600Y/347 V AC [kA rms]					
	600 V AC [kA rms]		35	100	35	100
	250 V DC (2 poles in series) [kA rms]					
	500 V DC (3 poles in series) [kA rms]					
	500 V DC (2 poles in series) [kA rms]		50	100	50	100
	600 V DC (3 poles in series) [kA rms]		35	65	35	65
Trip units	TMF	■		■		
	TMD/TMA			■		■
	Electronic	■		■		■
Dimensions	H [in/mm]	5.12/130	8.07/205		8.07/205	
	W 3p [in/mm]	3.54/90	4.13/105		5.51/140	
	D [in/mm]	2.76/70	4.07/103.5		4.07/103.5	
Mechanical life	[No.operations]	25000	20000		20000	





Index

Versions and types	3/2
Connection terminals	3/6
Service releases	3/15
Electrical signals.....	3/21
Remote control.....	3/27
Operating mechanisms and locks.....	3/34
Residual current releases - IEC only	3/40
Accessories for electronic trip units	3/45
Test and configuration accessories.....	3/50
Automatic transfer switch - ATS010 (IEC only)	3/51
Installation accessories and spare parts	3/54
Compatibility of internal accessories	3/55

Accessories

Versions and types

Starting from the fixed version with front terminals, the Tmax circuit breakers can be converted into the various versions (plug-in for T2, T3, Ts3, T4 and T5; draw out for Ts3, T4, T5, T6 and T7), using the conversion kits. This makes management of the product, its versions and stock very flexible. In any case, it is always possible to request the circuit breaker in the desired version completely preset in the factory, by ordering, on the same line, the fixed circuit breaker and the conversion kit, to which must be added the cradle.

T7 is available in two different versions: the toggle version similar to the other sizes in the Tmax family, and the new motorizable version.



Fixed

The Tmax FIXED three-pole or four-pole version circuit breakers offer:

- circuit breakers characterized by just two depths up to 1000 A: 70 mm for Tmax T1, T2 and T3 and 103.5 mm for Tmax Ts3, T4, T5 and T6. For T7 the depth varies according to the type of operating mechanism (with toggle or spring charging motor)
- standard circuit breaker fronts: 45 mm for Tmax T1, T2 and T3 and 105 mm for Ts3, T4 and T5, 140 mm for T6 and 280 mm for T7
- flange for compartment door
- possibility of assembly on back plate (or on DIN rail with T1, T2, T3 and Ts3, with the help of a special accessory, see page 3/52)
- thermomagnetic (on Tmax T1, T2, T3, Ts3, T4, T5 and T6) or electronic (on Tmax T2, T4, T5, T6 and T7) trip units
- standard FC Cu type terminals (front for copper cables) for T1 and F type (front) on all the Tmax family sizes.



Plug-in

The PLUG-IN version of the circuit breaker (Tmax T2, T3, Ts3, T4 and T5) consists of:

- cradle to be installed directly on the back plate of the unit
- moving part obtained from the fixed circuit breaker with addition of the isolating contacts (near the connection terminals), of the rear frame (for fixing to the cradle) and of the terminal covers.

The circuit breaker is racked out by unscrewing the top and bottom fixing screws. A special lock prevents circuit breaker racking in and racking out with the contacts in the closed position.

In case the circuit breaker has electrical accessories mounted (SOR, UVR, MOS, MOE, MOE-E, AUX, AUX-E, AUE, RC222), the socket-plug connectors or the adapters for isolation of the relative auxiliary circuits must also be ordered (see page 3/32).



Draw out

The circuit breakers in the DRAW OUT version (Tmax Ts3, T4, T5, T6 and T7) are made up of:

- cradle to be installed directly on the back plate of the unit fitted with lateral guides to allow the moving part racking-in and racking-out operation to be carried out easily, and a dedicated flange for the compartment door to replace the one provided with the circuit breaker in the fixed version;
- moving part obtained from the fixed circuit breaker with addition of the relative conversion kit from fixed to draw out moving part;
- mandatory accessory to be applied onto the front of the circuit breaker selected between front for lever operating mechanism (standard supply for circuit breakers fitted with accessories in the factory, excluding T7) motor operator and rotary handle operating mechanism. Application of one of these accessories allows the racking-in and racking-out of the moving part with the compartment door closed (on T7 no accessory is required to have racking-out with the door closed).



1SDC210015FP001 UL

Racking-in and racking-out of the moving part is carried out the special operating lever supplied with the cradle. This particular device allows the circuit breaker to be placed in the isolated position (with power and auxiliary circuits disconnected) with the compartment door closed, to the great advantage of operator safety. The handle can only be inserted with the circuit breaker open. Once removed or racked-out, the circuit breaker can be operated in open/closed and, by means of special connection extensions, blank tests can be carried out of the auxiliary control circuit functions.

The T4, T5 and T6 circuit breakers in the draw out version can only be fitted with pre-wired electrical accessories, provided with the appropriate ADP adapters for isolation of the relative auxiliary circuits (see page 3/31).

Stored Energy

The stored energy T7 circuit breaker can be equipped with the spring charging motor. To allow a complete remote control with T7 motorizable, the circuit breaker must be fitted with:

- shunt trip;
- closing coil;
- spring charging motor.

Versions available

	F Fixed	P Plug-in	W Draw out
T1	■		
T2	■	■	
T3	■	■	
Ts3	■	■	■
T4	■	■	■
T5	■	■	■
T6	■		■
T7	■		■
T7M	■		■



1SDC210003FP001

Cradle – FP (UL FILE: E116596)

The cradle, available for all the sizes of the Tmax family starting from T2, allows the circuit breaker to be made in the plug-in or draw out version. Different positions of the circuit breaker are possible:

- plug-in: connected, removed;
- draw out: connected, removed, racked-out for test (only for T7), racked-out.

In the standard version, the cradles of T2 and T3 are available with front terminals (F). A distinctive characteristic is the possibility of fitting these cradles with the same terminal, terminal cover and phase separator kits used for the fixed circuit breakers. With Tmax Ts3, T4, T5, T6 and T7, cradles with dedicated front and rear terminals are available. Moreover, the cradles of Ts3, T4 and T5 with front terminals can also be fitted with the special ES, FC Cu and FC CuAl terminals.

The rear flat terminals of the cradles of Tmax T7 are orientated (horizontally or vertically). Factory assembly is horizontal as standard. By means of the extra code 1SDA063571R1, it is possible to ask for the cradle with vertical terminals. This extra code can be associated either with the top or bottom terminals (if asking for assembly of both the terminals vertically, the extra code must be repeated twice). The anti-racking-in locks, to be mounted on the left side of the cradle, and which prevent racking-in of incorrect moving parts are supplied as standard fitting of the cradles of Tmax T7. In detail, it is possible to define the different ways of combination between the cradle and the moving part according to: T7 with lever or which can be motorized, breaking capacity and rated uninterrupted current.

Accessories

Versions and types

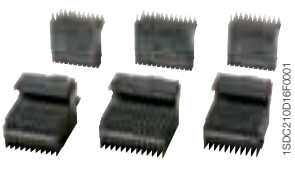
3



1SDC210008F001



1SDC210007F001



1SDC210018F001



1SDC210008F001

T2-T3



1SDC210008F001

T4-T5

Kit for conversion of plug-in cradle to draw out cradle (UL FILE: E116596)

For Tmax Ts3, T4 and T5 a conversion kit is available which is made up of a guide to prepare the plug-in cradle of the circuit breaker to the draw out cradle of the circuit breaker, a racking-out crank handle and by the flange for the compartment door to replace the one supplied with the fixed or plug-in circuit breaker version.

Racking-out crank handle

This allows racking-out and racking-in of the draw out circuit breaker into the cradle, with the door closed. The crank handle is the same for the whole range of circuit breakers and is automatically supplied with the cradle of draw out circuit breakers or with the conversion kit for plug-in cradles to draw out cradles.

Sliding contacts blocks

The sliding contact blocks are required for Tmax T7 in the draw out version equipped with electrical accessories or with an electronic trip unit. Their function is to realize the electrical connections of the secondary circuits between the mobile part and the cradle and these blocks work in pairs: one block is to be mounted on the mobile part and the other one on the cradle. The following table combines the types of sliding contact blocks and the electrical accessories.

Left block	Central block	Right block
Spring charging motor	PR331	Auxiliary contacts (Q or SY)
Spring charged contact (AUX-SC)	PR332	Shunt trip
Ready to close contact (AUX-RTC)		Closing coil
Early auxiliary contacts (AUE)		Under voltage release
Contact for signalling trip coil release trip (AUX-SA)		
Trip reset		

If at least one of the electrical accessories listed in the previous table is fitted on the circuit breaker the respective pair of blocks must be mounted on the mobile part and on the cradle.

Kit for conversion into moving part of plug-in for T2 - T3 - Ts3 - T4 - T5 (UL FILE: E116596)

Allows the fixed circuit breaker with front terminals to be converted into the moving part of a plug-in circuit breaker. The kit consists of:

- isolating contacts
- anti-racking out safety device
- assembly screws and nuts
- low terminal covers for the moving part.

The cradle for plug-in version is necessary to complete the circuit breaker.



1SDC210C10F0001

T4-T5-T6



1SDC210D17F0001

T7

Kit for conversion into moving part of draw out for Ts3 - T4 - T5 - T6 - T7 (UL FILE: E116596)

Allows the fixed circuit breaker with front terminals to be converted into the moving part of a draw out circuit breaker. The kit consists of:

- isolating contacts
- frame
- assembly screws and nuts
- low terminal covers for the moving part.

The circuit breakers in the draw out version must always be completed either with the front for lever operating mechanism (standard supply for circuit breakers fitted with accessories in the factory, excluding T7), rotary handle operating mechanism or motor operator.

The cradle for draw out version is necessary to complete the circuit breaker.

Kit for conversion of cradle into draw out for RC222 and RC223 residual current releases (IEC only)

With the dedicated conversion kit, the RC222 and RC223 residual current releases for T4 and T5 also can be converted from the fixed to the plug-in version. The kit consists of four copper busbars which make the connection between the terminals of the residual current relay and the isolating contacts mounted on the circuit breaker terminals.

Therefore, to obtain a circuit breaker fitted with the residual current release accessory in the plug-in version, the two kits for conversion of circuit breakers and for residual current release must be ordered.

The power circuit is connected to the connection terminals of the cradle.

Kit for conversion of plug-in into draw out for RC222 and RC223 residual current releases (IEC only)

The RC222 and RC223 residual current releases for T4 and T5 can be converted from the plug-in to the draw out version by adding a special kit consisting of a bellows to be applied on the front of the residual current release to allow racking-out of the circuit breaker and of the residual current release with the switchgear door closed.

This kit can also be mounted on the fixed version circuit breaker when there is the front for locks or the direct rotary handle operating mechanism, therefore widening the range of use of the residual current releases.

Accessories

Connection terminals

The basic version circuit breaker is supplied with:

- front terminals for copper cables (FC Cu), for the Tmax T1 circuit breaker
- front terminals (F), for all the other Tmax family sizes.

Different types of terminals, which can be combined in different ways, are also available (top of one type, bottom of a different type), thereby allowing the circuit breaker to be connected to the plant in the most suitable way in relation to installation requirements.

The following can be distinguished:

- **front terminals** which allow connection of cables or busbars working directly from the front of the circuit breaker
- **oriented rear terminals** which allow installation of the circuit breakers in switchboards with rear access to both the cable and busbar connections.

Terminals are available for direct connection of bare copper or aluminium cables and terminals for connection of busbars or cables with cable lugs.

On page 3/8 and following, the information needed to make the connections for each type of terminal is summarised. For connection with bare cables, the minimum and maximum cross-sections of the cables, which can be clamped in the terminals, the type of cables (rigid or flexible) and the diameter of the terminal are indicated. For connections with busbars, flat terminals of different sizes and composition are recommended.

The torque values to be applied to the terminal tightening screws for cables and to the screws used to connect the busbars to the flat terminals are indicated.

The circuit breakers can be ordered complete with the terminals required (mounted directly in the factory), by associating the terminal kit codes with the code of the standard version circuit breaker, or the terminals can be ordered individually in packs of 3 - 4 - 6 or 8 pieces.

To receive the circuit breaker with mixed terminals, the two terminal half-kits must be specified, loading the one to be mounted on top as the first half-kit and then the one to be mounted below.

If the top terminals are the same as the bottom ones, it is compulsory to order the complete kit (6 or 8 pieces) and not the two half-kits: the configuration would not be accepted by the system.

Insulating terminal covers

The terminal covers are applied to the circuit breaker to prevent accidental contact with live parts and thereby guarantee protection against direct contacts. The following are available:

- low terminal covers (LTC): these guarantee IP40 degree of protection for fixed circuit breakers with rear terminals and for moving parts of plug-in and draw out circuit breakers
- high terminal covers (HTC): these guarantee IP40 degree of protection, for fixed circuit breakers with front, front extended, front for cables terminals.

With Tmax T2 and T3, the cradles of plug-in circuit breakers can use the same terminal covers as the corresponding fixed circuit breakers. For cradles of T4 and T5, the proper terminal covers (TC-FP) are available.

The degrees of protection indicated at page 1/8 are valid for the circuit breaker installed in a switchboard.



1SDC210C11FC001



1SDC210C12FC001



Phase separators

These allow increased insulation characteristics between the phases at the connections. They are mounted from the front, even with the circuit breaker already installed, inserting them into the corresponding slots and they are available in two versions:

- 3.94" (100 mm) high
- 7.87" (200 mm) high.

The H = 3.94" (100 mm) phase separators are supplied as obligatory with front extended type terminals (EF), whereas the ones with height 7.87" (200 mm) are obligatory with front extended spread type terminals (ES).

The phase separating partitions are incompatible with both the high and low insulating terminal covers; while with Ts3 circuit breakers, phase separating partitions are always supplied with low terminal covers.

The cradles can use the same phase separating partitions as the corresponding fixed circuit breakers. With the phase separating partitions mounted, on request, with Tmax T1, T2 and T3 a special kit is available to reach IP40 degree of protection from the front of the circuit breaker.

It is possible to mount the phase separating partitions between two circuit breakers or cradles side by side.

Screws for sealing the terminal covers

These are applied to the terminal covers of fixed circuit breakers or to the moving parts of plug-in or draw out circuit breakers. They prevent removal of both the high and low terminal covers and can be locked with a wire and lead seal.

Kit for taking up the auxiliary power supply

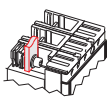

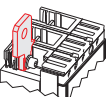
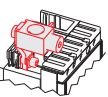

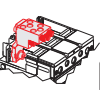
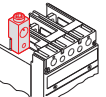
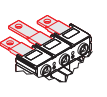
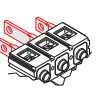
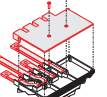
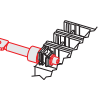
Special kits are available with the fixed version of Tmax T2, T3, T4 and T5 circuit breakers for taking up the auxiliary power supply directly from the connection terminals. They can only be combined with the front terminals for copper cables (FC Cu) for T2, T3 and T4 or with the front terminals (F) for T4-T5.

Accessories

Connection terminals

Connection terminals

Circuit breaker

	F	EF	ES	FC Cu	FC CuAl ⁽¹⁾	MC	RC CuAl	HR	VR	HR for RC221/222	R
											
	Front terminals	Front extended terminals	Front extended spread terminals	Front terminals for copper cables	Front terminals for CuAl cables	Multi-cable terminals	Rear terminals for CuAl cables	Rear flat horizontal terminals	Rear flat vertical terminals	Rear flat horizontal terminals	Rear terminals
T1		F		F ⁽²⁾	F			F		F	
T2	F ⁽²⁾	F	F	F	F						F
T3	F ⁽²⁾	F	F	F	F						F
Ts3	F ⁽²⁾	F	F	F	F		F				F
T4	F ⁽²⁾	F	F	F	F	F					F
T5	F ⁽²⁾	F	F	F	F						F
T6	F ⁽²⁾	F	F		F		F				F
T7	F ⁽²⁾	F	F		F			F	F		F

⁽¹⁾ UL listed
⁽²⁾ Standard supply
 F = Fixed

Cradle

	F	EF	ES	FC Cu	FC CuAl ⁽¹⁾	R	RS	HR	VR	HR/VR	RC
	Front terminals	Front extended terminals	Front extended spread terminals	Front terminals for copper cables	Front terminals for CuAl cables	Rear terminals	Rear spreaded terminals	Rear flat horizontal terminals	Rear flat vertical terminals	Rear flat terminals	Rear terminals for CuAl cables
T2	P ⁽²⁾	P	P	P	P	P					
T3	P ⁽²⁾	P	P	P	P	P					
Ts3		P-W		P-W ⁽¹⁾						P-W	
T4		P-W		P-W	P-W			P-W	P-W		
T5		P-W	P ⁽³⁾ -W ⁽³⁾	P-W	P-W			P-W	P-W		
T6		W						W	W ⁽¹⁾		
T7		W					W			W	W ⁽¹⁾

⁽¹⁾ UL listed
⁽²⁾ Standard supply
⁽³⁾ For T5 600 only
 P = Plug-in
 W = Draw out

Front terminals - F

Allow connection of busbars or cables with ring terminals



Type	Version	Pieces	Busbars/cable terminal [in-mm]				Tightening [lbin-Nm]	Terminal covers			Phase separators
			W	H	D	Ø		high	low	cradle	
T2	F-P	1	0.79-20	0.30-7.5	0.20-5	0.26-6.5	54-6	R	R	-	R
T3	F-P	1	0.94-24	0.37-9.5	0.31-8	0.33-8.5	71-8	R	R	-	R
Ts3 150	F	1	0.79-20	0.39-10	0.16-4	0.35-9	80-9	R	R	-	R*
Ts3 225	F	1	0.79-20	0.39-10	0.24-6	0.35-9	80-9	R	R	-	R*
T4	F	1	0.98-25	0.37-9.5	0.31-8	0.33-8.5	161-18	R	R	-	R
T5	F	1	1.38-35	0.43-11	0.39-10 ⁽¹⁾	0.41-10.5	252-28	R	R	-	R
T6	F	2	1.97-50	0.47-12	0.20-5	2x0.28-2x7	80-9	R	R	-	R
T7	F	2	1.97-50	0.79-20	0.31-8	2x0.43-2x11	161-18	-	R	-	R

⁽¹⁾ minimum 0.19"-5 mm



Front extended terminals - EF

Allow connection of busbars or cables with ring terminals



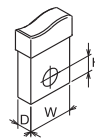
Type	Version	Pieces	Busbars [in-mm]			Cable terminal [in-mm]		Tightening [lbin-Nm]		Terminal covers			Phase separators
			W	D	Ø	W	Ø	A	B ⁽¹⁾	high	low	cradle	
T1	F	1	0.59-15	0.20-5	0.33-8.5	0.59-15	0.33-8.5	63-7	80-9	R	-	-	S
T2	F-P	1	0.79-20	0.16-4	0.33-8.5	0.79-20	0.33-8.5	54-6	80-9	R	-	-	S
T3	F-P	1	0.79-20	0.24-6	0.39-10	0.79-20	0.39-10	71-8	161-18	R	-	-	S
Ts3 150	F	1	0.79-20	0.16-4	0.33-8.5	0.79-20	0.31-8	80-9	80-9	R	R	R	R*
Ts3 225	F-P-W	1	0.79-20	0.24-6	0.33-8.5	0.79-20	0.33-8.5	80-9	80-9	R	R	R	R*
T4	F	1	0.79-20	0.39-10	0.39-10	0.79-20	0.39-10	161-18	161-18	R	-	-	S
	P-W	1	0.79-20	0.39-10	0.31-8	0.79-20	0.31-8	-	80-9	-	-	R	R
T5	F	2	1.18-30	0.28-7	0.43-11	1.18-30	0.43-11	252-28	161-18	R	-	-	S
	P-W	2	1.18-30	0.59-15	0.39-10	1.18-30	0.39-10	-	161-18	-	-	R	R
T6	F-W	2	1.97-50	0.20-5	0.55-14	1.97-50	0.55-14	80-9	268-30	-	R	R	R
T7	F-W	2	1.97-50	0.39-10	4x0.43-4x11 ⁽²⁾	-	-	161-18 ⁽³⁾	355-40 ⁽⁴⁾	-	R	-	S

⁽¹⁾ class 4.8 screws (not supplied)

⁽²⁾ only use two holes diagonally

⁽³⁾ 12 Nm onto cradle of draw out circuit breaker

⁽⁴⁾ class 8.8 screws (not supplied)



A = Tightening the terminal onto the circuit breaker

B = Tightening the cable/busbar onto the terminal

R = On request

R* = Are supplied with low terminal covers (which are, in turn, on request)

S = Standard

Pieces = Number of busbars, cables or cable terminals

Accessories

Connection terminals

Front extended spread terminals - ES

Allow connection of busbars or cables terminated with cable terminal



Type	Version	Pieces	Busbars [in-mm]			Cable terminal [in-mm]		Tightening [lbin-Nm]		Terminal covers			Phase separators
			W	D	Ø	W	Ø	A	B ⁽¹⁾	high	low	cradle	
T2	F-P	1	1.18-30	0.16-4	0.41-10.5	1.18-30	0.41-10.5	54-6	161-18	-	-	-	S
T3	F-P	1	1.18-30	0.16-4	0.41-10.5	1.18-30	0.41-10.5	71-8	161-18	-	-	-	S
Ts3	F	1	1.18-30	0.16-4	0.33-8.5	1.18-30	0.33-8.5	80-9	80-9	-	S	-	S*
T4	F	1	1.18-30	0.24-6	0.41-10.5	1.18-30	0.41-10.5	161-18	161-18	-	-	-	S
T5	F-P ⁽²⁾ -W ⁽²⁾	1	1.58-40	0.39-10	0.43-11	0.43-11	0.43-11	252-28	161-18	-	-	-	S
T6	F	1	3.15-80	0.20-5	3x-0.51-3x13	3x1.77-3x45	0.51-13	80-9	268-30	-	-	-	-
T7	F	2	1.97-50	0.39-10	3x-0.51-3x13	4x1.77-4x45	0.51-13	161-18	355-40	-	-	-	S

⁽¹⁾ class 4.8 screws (not supplied)

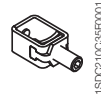
⁽²⁾ for T5 600 only

3



Front terminals for copper cables - FC Cu

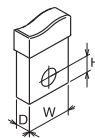
Allow connection of bare copper cables directly to the circuit breaker



Type	Assembly	Version	Pieces	Cable [AWG or Kcmil-mm²]		Flexible busbars W x S x N ⁽²⁾	Tightening [lbin - Nm]		Ø [in-mm]	Terminal covers			Phase separators
				rigid	flexible		A	B		high	low	cradle	
T1/T1 1p	standard	F	1	2.5...70	2.5...50	9 x 0.8 x 6	-	63-7	0.47-12	R	R	-	R
	standard	F	2	-	2.5...35	-	-	63-7	0.47-12	R	R	-	R
T2	standard	F-P	1	1...95	1...70	13 x 0.5 x 10	-	63-7	0.55-14	R	R	R	R
	standard	F-P	2	-	1...50	-	-	63-7	0.55-14	R	R	R	R
T3	standard	F-P	1	6...185	6...150	15.5 x 0.8 x 10	-	89-10	0.71-18	R	R	R	R
	standard	F-P	2	-	6...70	-	-	89-10	0.71-18	R	R	R	R
Ts3	standard	F-P-W	1	10...350-6...185	-	-	-	142-16	0.71-18	R	R	S	R*
T4	standard	F-P-W	1	2.5...185	2.5...120	15.5 x 0.8 x 10	-	89-10	0.71-18	R	R	S	R
	standard	F-P-W	2	-	2.5...95	-	-	89-10	0.71-18	R	R	S	R
T5	standard	F-P-W	1	16...300	16...240	24 x 1 x 10	-	222-25	1.10-28	R	R	S	R
	standard	F-P-W	2	-	16...150	-	-	222-25	1.10-28	R	R	R	-
	external	F	2	120...240	-	-	18	222-25	-	S	-	-	-

⁽¹⁾ UL Listed

⁽²⁾ W = width; S = thickness; N = n. of bars



A = Tightening the terminal onto the circuit breaker
 B = Tightening the cable/busbar onto the terminal
 R = On request
 S = Standard
 R* = Are supplied with low terminal covers (which are, in turn, on request)
 S* = Are supplied as standard with the low terminal covers
 Pieces = Number of busbars, cables or cable terminals

Front terminals for copper/aluminium cables - FC CuAl (UL listed)

Allow connection of bare copper or aluminium cables directly to the circuit breaker (solid aluminium cables cannot be used)



**T2-T5
Standard**



**T4-T5
External**

Type	Assembly	Version	Pieces	Cable [AWG or Kcmil-mm ²]		Tightening [lbin-Nm]		Ø [in-mm]	Terminal covers			Phase separators
				rigid		A	B		high	low	cradle	
T1 1P/T1	standard	F	1	14...10-2.5...6		20-2.5	-	0.37-9.5	R	R	-	R
				8.0-10		40-4.5	-	-	-	-	-	-
				6...1/0-16...50		45-5	-	-	-	-	-	-
T2 100	standard	F-P	1	14...1/0-2.5...50		80-9	50-5.6	-	R	R	R	R
T3 100	standard	F-P	1	14...1/0-2.5...50		80-9	50-5.6	0.39-10	R	R	R	R
T3 225	standard	F-P	1	4...300-25...150		80-9	200-22.6	0.67-17	R	R	R	R
Ts3-D 150 (In=100)	standard	F	1	14...1/0-2.5...50		80-9	50-5.6	-	R	-	-	-
Ts3 150	standard	F	1	2...4/0-35...95		80-9	120-13.5	0.56-14.2	R	-	-	-
Ts3 225	standard	F	1	4...300-25...150		80-9	276-31	-	R	-	-	-
T4 250	standard	F-P-W	1	6...350-6...185		274-31	80-9	0.7-18	R	R	S	R
T4 250	standard	F	1	14...1/0-2.5...50		50-5.6	80-9	0.39-9.9	R	R	-	R
T5 400	external	F	2	3/0...250-95...120		274-31	159-18	0.61-15.5	S	-	-	R
T5 400	standard	F-P-W	1	250...500-120...240		380-43	159-18	0.84-21.5	R	R	S	R
T5 600	external	F	2	3/0...500-95...240		274-31	159-18	0.84-21.5	S	-	-	R
T6 600	standard	F	2	250...500-120...240		44-5	276-31	0.87-22	S	-	-	-
T6 800	standard	F	2	250...500-120...240		44-5	276-31	0.87-22	S	-	-	-
T7 1200	external	F	4	2/0...500-70...240		160-18	380-43	0.84-21.5	S	-	-	-



1SDC210C44F0001 UL



1SDC210C44F0001 UL

Multi-cable terminals - MC

Allow connection of cables directly to the circuit breaker

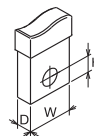


1SDC210C44F0001

Type	Version	Pieces	Cable [AWG or Kcmil-mm ²]		Tightening [lbin-Nm]		Terminal covers			Phase separators
			flexible	rigid	A	B	high	low	cradle	
T4	F	6	2.5...25	2.5...35	161-18	63-7	S	-	-	-
T5	F	6	-	16...50	161-18	45-5	S	-	-	-



1SDC210C44F0001 UL



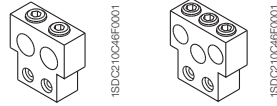
A = Tightening the terminal onto the circuit breaker
 B = Tightening the cable/busbar onto the terminal
 R = On request
 S = Standard
 Pieces = Number of busbars, cables or cable terminals

Accessories

Connection terminals

Rear terminals for copper/aluminium cables - RC CuAl

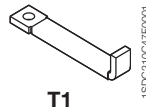
Allow connection of bare copper or aluminium cables directly to the circuit breaker



Type	Version	Pieces	Cable [AWG or Kcmil-mm ²]	Tightening [lbin-Nm]		Ø [in-mm]	Terminal covers	
				A	B		high	low
Ts3	F	1	4...250-25...120	80-9	276-31	0.63-16	S	-
T6 600	F	2	250...500-120...240	80-9	383-43	0.69-17.5	S	-
T6 800	F	3	2/0...350-70...185	80-9	276-31	0.69-17.5	S	-

Rear flat horizontal terminals - HR

Allow connection of busbars or cable terminal at the rear. They can only be installed horizontally.



Type	Version	Pieces	Busbars [in-mm]			Cable terminal [in-mm]		Tightening [lbin-Nm]		Terminal covers		Phase separators
			W	D	Ø	W	Ø	A	B ⁽¹⁾	high	low	
T1	F	1	0.55-14	0.20-5	0.24-6.2	0.55-14	0.24-6.2	63-7	44-5	-	S	-
T7	F	2	1.97-50	0.39-10	2x0.43-2x11	-	-	179-20	355-40	-	S	-

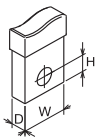
⁽¹⁾ class 8.8 screws (not supplied)

Rear flat vertical terminals - VR

Allow connection of busbars or cable terminal at the rear. They can only be installed vertically.

Type	Version	Pieces	Busbars [in-mm]			Cable terminal [in-mm]		Tightening [lbin-Nm]		Terminal covers		Phase separators
			W	D	Ø	W	Ø	A	B ⁽¹⁾	high	low	
T7	F	2	1.97-50	0.31-8	2x0.43-2x11	-	-	179-20	355-40	-	S	-

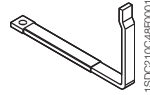
⁽¹⁾ class 8.8 screws (not supplied)



A = Tightening the terminal onto the circuit breaker
 B = Tightening the cable/busbar onto the terminal
 R = On request
 S = Standard
 Pieces = Number of busbars, cables or cable terminals

Rear flat horizontal terminals for RC221/RC222 - HR

Allow connection of busbars or cable terminal at the rear with RC221/RC222.
They can be installed horizontally

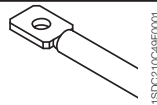


Type	Version	Pieces	Busbars [in-mm]			Tightening [lbin-Nm]		Terminal covers		Phase separators
			W	D	Ø	A	B	high	low	
T1	F	1	0.55-14	0.20-5	0.24-6.2	63-7	44-5 ⁽¹⁾	-	-	-

⁽¹⁾ class 8.8 screws (not supplied)

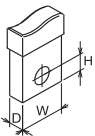
Rear terminals - R

Allow connection of busbars or cable terminal at the rear. They can be installed in 4 different positions to facilitate connection to cable/busbars



Type	Version	Pieces	Busbars [in-mm]			Tightening [lbin-Nm]		Terminal covers		Phase separators
			W	D	Ø	A	B ⁽¹⁾	high	low	
T2	F-P	1	0.79-20	0.16-4	0.33-8.5	54-6	80-9	-	S	-
T3	F-P	1	0.79-20	0.24-6	0.33-8.5	54-6	80-9	-	S	-
Ts3 150	F	1	0.79-20	0.16-4	0.49-12.5	89-10	179-20	-	S	S*
	P-W	1	0.79-20	0.16-4	0.49-12.5	89-10	179-20	-	-	-
Ts3 225	F	1	0.79-20	0.24-6	0.49-12.5	89-10	179-20	-	S	S*
	P-W	1	0.79-20	0.24-6	0.49-12.5	89-10	179-20	-	-	-
T4	F	1	0.79-20	0.39-10	0.33-8.5	54-6	80-9	-	S	-
T5	F	2	1.18-30	0.28-7	0.43-11	161-18	161-18	-	S	-
T6	F	2	1.97-50	0.20-5	0.55-14	161-18	268-30	-	S	-
T7	F	2	1.97-50	0.31-8	2x0.43-2x11	179-20	355-40	-	S	-

⁽¹⁾ class 8.8 screws (not supplied)



A = Tightening the terminal onto the circuit breaker
 B = Tightening the cable/busbar onto the terminal
 R = On request
 S = Standard
 S* = Are supplied as standard with the low terminal covers
 Pieces = Number of busbars, cables or cable terminals

Accessories

Connection terminals

Rear spreaded terminals - RS

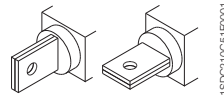
Allow connection of busbars and cable terminal at the rear.

Type	Version	Pieces	Busbars [in-mm]			Tightening [lbin-Nm]		Terminal covers			Phase separators
			W	D	Ø	A	B	high	low	cradle	
T7	W	2	2.36-60	0.39-10	2 x 11	161-18	355-40	-	-	-	-

Rear flat horizontal and vertical terminals for cradles - HR/VR

These allow connection of busbars or cable terminals at the rear.

There are rear horizontal or vertical terminals.



1SDC210C51F0001

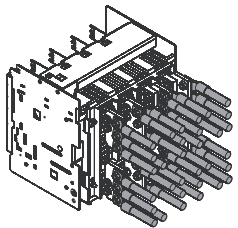
Type	Version	Pieces	Busbars [in-mm]			Cable terminal [in-mm]		Tightening [lbin-Nm]		Terminal covers			Phase separators
			W	D	Ø	W	Ø	A	B ⁽¹⁾	high	low	cradle	
T4	P - W	1	0.79-20	0.39-10	0.39-10	0.79-20	0.39-10	-	159-18	-	-	-	-
T5 400	P - W	1	0.98-25	0.39-10	0.47-12	0.98-25	0.47-12	-	159-18	-	-	-	-
T5 600	P - W	2	1.57-40	0.59-15	0.43-11	1.57-40	0.43-11	-	159-18	-	-	-	-
T6	W	2	1.97-50	0.20-5	0.55-14	1.97-50	0.55-14	-	268-30	-	-	-	-
T7	W	2	1.97-50	0.39-10	2x0.43-2x11	-	-	106-12	355-40	-	-	-	-

⁽¹⁾ class 4.8 screws (not supplied)

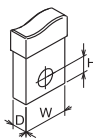
⁽²⁾ for vertical assembly directly in the factory, use extra code 1SDA063571R1

Rear terminals for CuAl cables - RC (UL LISTED)

Type	Version	Pieces	Cable terminal [in-mm]		Tightening [lbin-Nm]		Terminal covers			Phase separators
			W	Ø	A	B	high	low	cradle	
T7	W	1	1.38-35	0.55-14	425-48	355-40	-	-	-	-



1SDH00629P0810



A = Tightening the terminal onto the circuit breaker

B = Tightening the cable/busbar onto the terminal

R = On request

S = Standard

Pieces = Number of busbars, cables or cable terminals

Accessories

Service releases

The Tmax family of circuit breakers can be fitted with service releases (shunt trip, closing coil and undervoltage release). These are available in the pre-cabled version, depending on the size of the circuit breaker fitted with 39.4" (1 m) long free cables, with a connector with 39.4" (1 m) cables or with a simple pin connector and two terminals to be mounted in the terminal board.

Assembly is carried out for all the releases by pressing into the special seat in the left part of the circuit breaker (right for T7) and fixing with the screw provided.

The releases are interchangeable for T1, T2, T3, Ts3 (both for the three-pole and four-pole version), whereas for T4, T5 and T6 in the four-pole version the shunt trip (not possible with PS-SOR) and the undervoltage release can be housed at the same time, as long as they are in the wired version and the shunt trip is necessarily mounted in the slot of the third pole. T4, T5, T6 circuit breakers in the draw out version can only be equipped with pre-cabled accessories; the T4-T5-T6 circuit breakers complete with motorized controls can only be fitted with prewired undervoltage and shunt trips.

The T7 circuit breaker allows simultaneous mounting of all three service releases. These two possibilities are available on the three-pole version as well. Moreover Tmax T7 can be equipped with two shunt trips instead of the undervoltage release to facilitate some specific applications where a very high safety level of the remote circuit breaker opening command is required.



1SDC210C55F0001

T1-T2-T3



1SDC210C55F0001

T4-T5-T6

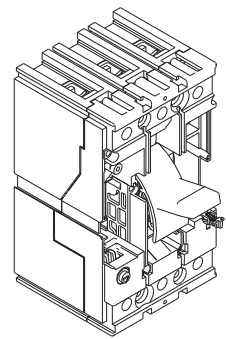


1SDC210D18F0001

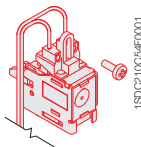
T7

Shunt trip – SOR (UL FILE: E116596)

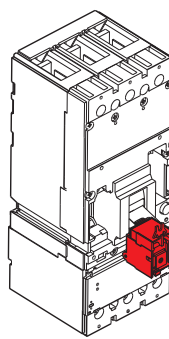
Allows circuit breaker opening by means of an electric command. Operation of the trip is provided for a voltage between 70% and 110% of the rated power supply voltage value U_n , both in alternating current and in direct current. For Tmax T1, T2, T3, T4, T5 and T6, the SOR shunt trip is fitted with a limit contact for cutting off the power supply in the open position and with the release tripped.



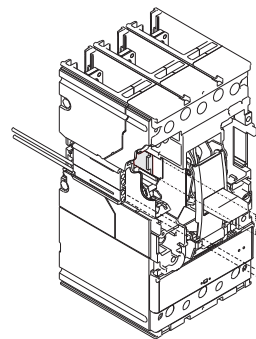
T1-T2-T3



1SDC210C55F0001

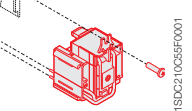


Ts3



1SDC210C55F0001

T4-T5-T6



1SDC210C55F0001

Accessories

Service releases

Shunt trip - SOR - Electrical characteristics

Version	Inrush power consumption							
	Tmax T1, T2, T3		Tmax Ts3		Tmax T4, T5, T6		Tmax T7	
	AC [VA]	DC [W]	AC [VA]	DC [W]	AC [VA]	DC [W]	AC [VA]	DC [W]
12 V DC		50		120		150		
24 V AC/DC			100	100 or 4 ⁽¹⁾			300	300
24...30 V AC/DC	50	50			150	150		
30 V AC/DC							300	300
48 V AC/DC				120			300	300
48...60 V AC/DC	60	60			150	150		
60 V AC/DC							300	300
110...120 V AC/DC			100 or 4 ⁽¹⁾				300	300
120...127 V AC/DC							300	300
110...127 V AC-110...125 V DC	50	50		120	150	150		
220...240 V AC/DC							300	300
220...240 V AC-220...250 V DC	50	50	100	120	150	150		
240...250 V AC/DC							300	300
380...400 V AC							300	
380...440 V AC	55				150			
415...440 V AC							300	
480 V AC			100					
480...525 V AC	55				150			
Opening times [ms]	15	15	≤ 15	≤ 15	15	15	20	20

⁽¹⁾ Shunt trip of permanent supply

Shunt trip with permanent service – PS-SOR

Furthermore, for T4, T5 and T6, opening coils with permanent service (PS-SOR) are available, with much lower power consumption and which can be supplied continuously: in this case, in fact, they are not fitted with auxiliary limit contact. The pre-cabled or uncabled version can be chosen for these coils as well.

Shunt trip - PS-SOR - Electrical characteristics

Version	Tmax T4, T5, T6	
	AC [VA]	DC [W]
24 V AC/DC	4	4
110...120 V AC	4	-



1SDC210C58F0001

Shunt trip Test Unit – SOR Test Unit

The SOR Test Unit - control/monitoring unit - allows correct operation of the shunt trips which can be mounted on the Tmax T7 circuit breaker to be verified, to guarantee a high level of reliability for the circuit breaker opening command.

The SOR Test Unit - control/monitoring unit - allows continuity of the shunt trips with a rated service voltage between 24 V and 250 V (AC and DC) to be verified, as well as operation of the electronic circuit of the opening coil. The continuity check is carried out cyclically at an interval of 20 seconds between one test and the next.

The unit has LED optic signals on the front which provide the following information:

- POWER ON: presence of power supply
- YO TESTING: test being carried out
- TEST FAILED: indication following a failed test or lack of auxiliary power supply
- ALARM: signalling after three failed tests.

There are also two relays and a changeover switch available on board the unit which allow the following two events to be signalled remotely:

- failure of a test (resetting takes place automatically when the alarm goes off)
- failure of three tests (resetting only takes place by means of the manual RESET from the front of the unit).

Characteristics

Auxiliary power supply	24 V...250 V AC / DC
Maximum interrupted current	6 A
Maximum interrupted voltage	250 V AC



1SDC210D18FC0001

T7

Closing coil – SCR

The closing coil - only available on the motorizable versions of Tmax T7 - allows remote closure of the circuit breaker when the circuit breaker closing springs are charged. The technical characteristics and the service voltages of the closing coil are identical to those of the shunt trip available on T7. The closing time of the circuit breaker by means of SCR is 80 ms.

Accessories

Service releases



T1-T2-T3



T4-T5-T6



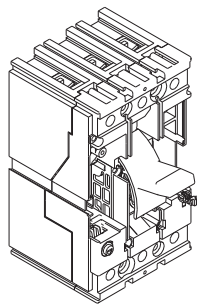
T7

Undervoltage release – UVR (UL FILE: E116596)

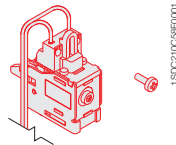
The undervoltage release opens the circuit breaker due to lack of release power supply voltage or due to values under $0.7 \times U_n$ with a trip range from 0.7 to $0.35 \times U_n$. After tripping, the circuit breaker can be closed again with a voltage higher than $0.85 \times U_n$. With the undervoltage release de-energised, it is not possible to close the circuit breaker or the main contacts.

UVR - Electrical characteristics

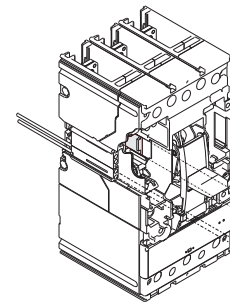
Version	Power consumption during permanent operation							
	Tmax T1, T2, T3		Tmax Ts3		Tmax T4, T5, T6		Tmax T7	
	AC [VA]	DC [W]	AC [VA]	DC [W]	AC [VA]	DC [W]	AC [VA]	DC [W]
24 V AC/DC			6	3			3.5	3.5
24...30 V AC/DC	1.5	1.5			6	3		
30 V AC/DC							3.5	3.5
48 V AC/DC	1	1	6	3	6	3		
60 V AC/DC	1	1			6	3		
110...120 V AC/DC			6				3.5	3.5
120...127 V AC/DC							3.5	3.5
110...127 V AC-110...125 V DC	2	2			6	3		
220...240 V AC/DC							3.5	3.5
220...240 V AC-220...250 V DC	2.5	2.5		3	6	3		
220...250 V AC			6					
240...250 V AC/DC							3.5	3.5
380...400 V AC							3.5	
380...440 V AC	3				6			
415...440 V AC							3.5	
480 V AC			6					
480...525 V AC	4				6			
Opening times [ms]	15	15	≤ 18	≤ 18	≤ 25	≤ 25	≤ 25	≤ 25



T1-T2-T3



Ts3



T4-T5-T6



1SDC210023D0201

Time delay device for undervoltage release – UVD

The undervoltage release (UVR) can be combined with an external electronic power supply time delay device, which allows circuit breaker opening to be delayed in case of a drop or failure in the power supply voltage of the release itself, according to preset and adjustable delays, in order to prevent unwarranted trips caused by temporary malfunctions. The delay device must be combined with an undervoltage release with the same corresponding voltage.

Two time delay devices with the same characteristics are available. For T1-T6 a time delay device which can be combined also on the Isomax circuit breakers is available. The time delay device for Tmax T7 is the same as the one already available on the Emax range.

UVD

Circuit breaker	Power supply voltage [V AC/DC]
T1 - T2 - T3 - T4 - T5 - T6	24...30
T1 - T2 - T3 - T4 - T5 - T6	48...60
T1 - T2 - T3 - T4 - T5 - T6	110...125
T1 - T2 - T3 - T4 - T5 - T6	220...250
Delay which can be set [s]	0.25 - 0.5 - 0.75 - 1 - 1.25 - 2 - 2.5 - 3
Trip time tolerance	± 15%

Circuit breaker	Power supply voltage [V AC/DC]
Ts3	110
Ts3	220
Delay which can be set [s]	0.25 - 0.5 - 1 - 2 - 3

Circuit breaker	Power supply voltage [V AC/DC]
T7	24...30
T7	48
T7	60
T7	110...125
T7	220...250
Delay which can be set [s]	0.5 - 1 - 1.5 - 2 - 3

Accessories

Service releases



1SDC210640F0003

Connectors for service releases (only for Ts3)

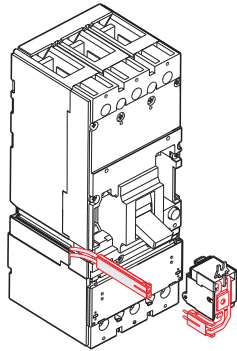
These allow the shunt trip or undervoltage release to be connected to the power supply circuit. They are available in the following versions:

- for fixed circuit breakers
- for plug-in/draw out circuit breakers.

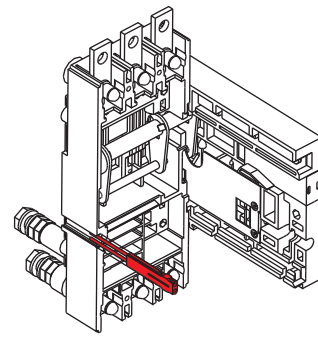
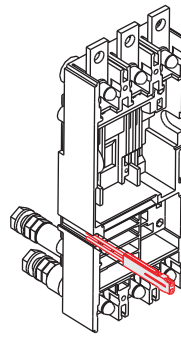
Assembly is by means of pressure into special slots in the left side of the circuit breaker.

Cables of different lengths (UL/CSA) are available.

Socket-plugs with 3, 6 or 12 poles and cable kit (UL/CSA) with a length of 78.8" (2 m) are available for Tmax: the socket-plugs are necessary only for plug-in version.



1SDC210618F0003



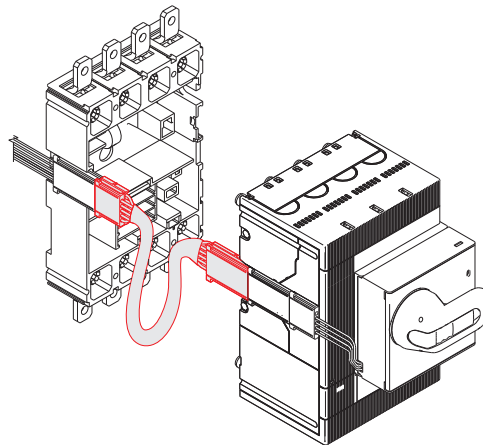
1SDC210619F0003



1SDC210066F0001

Testing extension for service releases

Available for Tmax Ts3, T4, T5 and T6, this allows the service releases to be supplied with the circuit breaker in the removed position. With the circuit breaker in safe conditions, i.e. isolated from the power circuits, this makes it possible to carry out blank tests of the circuit breaker functionality.



1SDC210061F0001

Accessories

Electrical signals

These allow information on the operating state of the circuit breaker to be real outside.

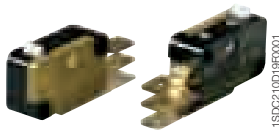
Installation of these accessories is carried out directly from the front of the circuit breaker in special slots placed on the right-hand side of the circuit breaker, completely segregated from the live parts - all to the benefit of user safety. The auxiliary contacts can be supplied (depending on the type) either with cabling directly on the circuit breaker terminal board or in the pre-cabled version, depending on the size of the circuit breaker fitted with free cables 39.4" (1 m) long, with a connector with 39.4" (1 m) long cables. The pre-cabled version is mandatory on the T4, T5 and T6 circuit breakers in the draw out version. The auxiliary contacts for T7 are always fitted with three terminals to be mounted in the terminal board to carry out the cabling. The auxiliary contacts are available for use both in direct and alternating current at various voltages. The signals are reset when the circuit breaker is reset.



AUX - 250 V AC/DC



AUX-C - 250 V AC/DC



T7

T1-T7 (AUX)

Available both in the pre-cabled and uncabled version, auxiliary contacts supply the following electrical signalling:

- Form C (open/closed): indicates the position of the circuit breaker contacts (Q)
- Bell alarm: signals circuit breaker opening due to overcurrent release trip (for overload or short circuit), trip of the residual current release, of the opening coil or of the undervoltage release, of the emergency opening pushbutton of the motor operator or two to operation of the test pushbutton (SY)
- Contact for signalling electronic trip unit tripped: signals intervention of one of the protection functions of the electronic trip unit (S51) (except for Ts3).

The auxiliary contacts for T7 are always fitted with terminals to be mounted in the terminal box to carry out wiring.

T4, T5, T6 and T7 with electronic trip units (AUX-SA)

There is a contact for signalling electronic trip units tripped, only available in the pre-cabled version for use at 250 V AC.

T4, T5 and T6 (AUX-MO)

This auxiliary contact, only in the uncabled version, must be combined with the motor operator and indicates the motor operation mode (manual or remote).

T7 (AUX-RTC)

The "circuit breaker ready to close" auxiliary contact is available with wiring directly on the terminal box of the stored energy T7 circuit breaker and signals that the circuit breaker is ready to accept a closing command if there are the following five conditions:

- circuit breaker open
- closing springs charged
- any opening coil de-energised
- any undervoltage coil energised
- opening solenoid armed.

T7 (AUX-SC)

Remotely indicates the state of the circuit breaker operating mechanism is closing springs (supplied only with the spring charging motor).

Accessories

Electrical signals

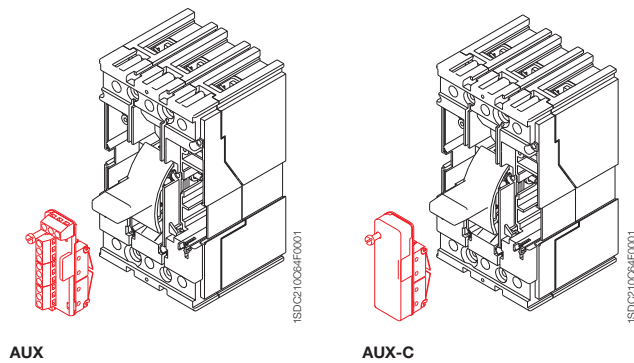
T4, T5 and T6 with PR222DS/PD-A and electronic trip unit (AUX-E)

Only available in the pre-cabled version, the auxiliary contacts AUX-E (also called electronic version contacts) communicate the state of the circuit breaker to the electronic trip unit and make an open/closed signal available to the outside and another one for electronic trip unit tripped.

They can only be combined with the PR222DS/PD-A electronic trip unit and only function when there is a 24 V DC auxiliary power supply to the trip unit for the communication functions.

The AUX-E contacts can, moreover, be directly connected to the MOE-E motor operator (see page 3/29).

The “traditional” version of the auxiliary contacts can also be combined with the protection trip units with dialogue; in this case, only electrical signalling of the state of the circuit breaker will be provided and it will not be possible to communicate remotely or control the motor.



AUX - Electrical characteristics

AUX 250 V - T1...T6

Power supply voltage	Service current	
	Category of utilisation (IEC 60947-5-1)	
	AC 14	DC 13
125 V	6 A	0.3 A
250 V	5 A	0.15 A

Protection with gG 10x38 type fuse (I_{max} 6 A)

AUX 400 V - Ts3

Power supply voltage		Breaking capacity
AC (50-60) [V]	DC [V]	Ohmic Load [A]
	125	0.3
	250	0.15
250		6
400		3

AUX 400 V - T4...T7

Power supply voltage	Service current I _n [A]	
	AC	DC
125 V	-	0.5
250 V	12 ⁽¹⁾	0.3
400 V	3	-

⁽¹⁾ 5 A for T_{max} T7

AUX 24 V - T1...T7

Power supply voltage	Service current I _n [A]	
	AC	DC
24 V	-	≥ 0.75 mA
5 V	-	≥ 1 mA

AUX-E - T4...T6

Typical contact	Mosfet
V _{max}	350 V DC/230 V AC
I _{max}	50 mA AC/DC
P _{max} (resistive load)	17 W, 11 VA
System contact/ground insulation	2000 V AC (1 min. @ 50 Hz)
Contact/contact insulation	400 V DC

Table of the possible combinations of the T7-T7M auxiliary contacts

T7	SY	Q1			1Q + 1SY	T7M			Q2	Q3	2Q
			Q2	Q3	2Q		Q4	Q1			2Q
	SY	Q1	Q2	Q3	3Q + 1SY		Q4	Q1	Q2	Q3	4Q

Accessories

Electrical signals

Types of auxiliary contacts

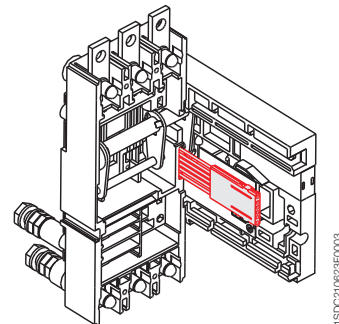
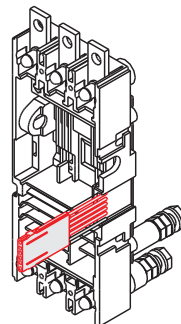
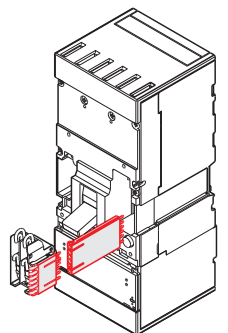
		T1	T2 TMD	T2 PR221	T3	Ts3	T4	T5	T6	T7
AUX 250 V AC/DC	1 open/closed changeover contact + 1 bell alarm changeover contact	■	■		■		■	■	■	
AUX 250 V AC/DC	3 open/closed changeover contacts + 1 bell alarm changeover contact	■	■		■		■	■	■	
AUX 250 V AC/DC	1 SA electronic release trip contact + 1 open/closed changeover contact + 1 bell alarm changeover contact			■						
AUX 250 V AC/DC	2 open/closed changeover contacts + 1 bell alarm changeover contact			■						
AUX 400 V AC	1 open/closed changeover contact + 1 bell alarm changeover contact						■	■	■	■
AUX 400 V AC	2 open/closed changeover contacts					■	■	■	■	■
AUX 400 V AC	1 open/closed changeover contact + 1 bell alarm					■				
AUX 24 V DC	1 open/closed changeover contact + 1 bell alarm changeover contact									■
AUX 24 V DC	2 open/closed changeover contacts									■
AUX 24 V DC	3 open/closed changeover contacts + 1 bell alarm changeover contact	■	■		■		■	■	■	
AUX-SA 250 V AC	1 SA electronic release trip contact						■	■	■	■
AUX-MO	1 contact signalling manual/remote						■	■	■	
AUX-RTC 24 V DC	1 contact signalling ready to close									■
AUX-RTC 250 V AC/DC	1 contact signalling ready to close									■
AUX-SC 24 V DC	1 contact signalling closing springs charged									■
AUX-SC 250 V AC/DC	1 contact signalling closing springs charged									■
AUX-E	1 open/closed contact + 1 bell alarm contact (only with PR222DS/PD-A)						■	■	■	

3



Connectors for auxiliary contacts (only for Ts3)

These allow the auxiliary contacts to be connected to the relative power supply circuit. For Ts3 circuit breakers, the auxiliary contacts (fitted with plug connector) can only be supplied by means of the specific connectors to be ordered specifying the size and version of the circuit breaker (fixed or plug-in/draw out). Assembly is carried out by mounting into special slots on the right side of the circuit breaker. Socket-plugs with 3, 6 or 12 poles and cable kit (UL/CSA) with a length of 78.8" (2 m) are available.

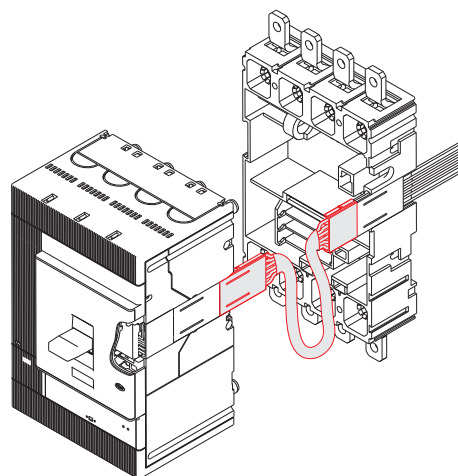




1SD0210065F0001

Testing extension for auxiliary contacts

Available for Tmax T4, T5 and T6 circuit breakers, this allows the auxiliary contacts to be connected to the relative power supply circuit with the circuit breaker in the removed position. With the circuit breaker in a safe position, i.e. isolated from to the power circuits, it is possible to carry out blank function tests of the circuit breaker.



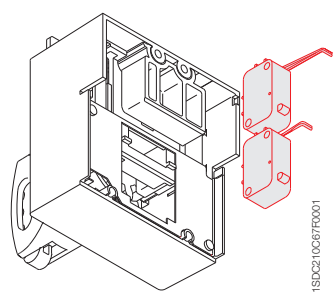
1SD0210065F0001



1SD0210068F0001

Early auxiliary contacts – AUE

Early auxiliary contacts are normally open contacts, advanced in relation to closing (2 contacts for all the sizes, except for T7 where there are 3). They allow the undervoltage release to be supplied in advance, in relation to closing of the main contacts, in compliance with the IEC 60204-1 and VDE 0113 Standards. They are mounted inside the direct and transmitted rotary handle operating mechanism, whereas on T7 with the electric operating mechanism they are mounted directly on the circuit breaker. The early contacts are only supplied in the cabled version with 39.4" (1 m) long cables, complete with socket-plugs with 6 poles for T1, T2 and T3 or with socket-plug connectors with 39.4" (1 m) cables for T4, T5 and T6. It is necessary to bear in mind that once the connectors for T4, T5 and T6, are inserted in the special slot on the right-hand side of the circuit breaker they extend further out than the outline of the circuit breaker itself. For Ts3 the contact is supplied complete with double slide socket connectors for simultaneous connection of the undervoltage release and of the consent contact itself. The early auxiliary contacts for T7 are always fitted with 3 terminals to be mounted in the terminal board to carry out the cabling.



1SD0210067F0001

Accessories

Electrical signals

Auxiliary position contacts – AUP

Auxiliary position contacts which provide electrical signalling of the circuit breaker position in relation to the cradle are available. The following auxiliary position contacts are available:

T2 - T3

- contacts signalling circuit breaker is racked-in.

Ts3

- contacts signaling circuit breakers is racked-in
- contacts signaling circuit breakers is drawn-out.

T4 - T5 - T6

- circuit breaker racked-in signalling contacts for plug-in and draw out versions
- circuit breaker racked-out signalling contacts only for draw out version
- circuit breaker racked-in signalling contacts for plug-in and draw out versions 24 V DC
- circuit breaker racked-out signalling contacts only for draw out version 24 V DC.

T7

- contacts for signalling circuit breaker is racked-in
- contacts for signalling circuit breaker is isolated-test
- contacts for signalling circuit breaker is racked-out.

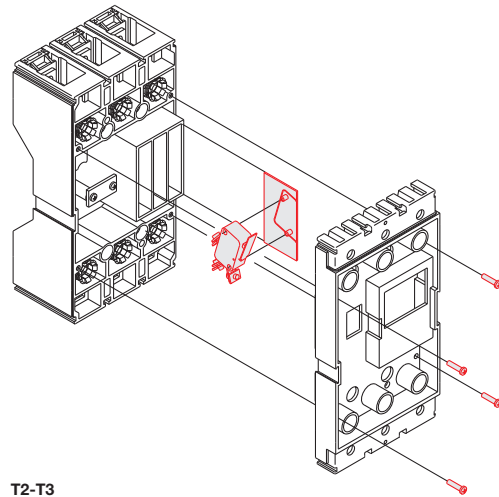


1SDC210C26RF0001

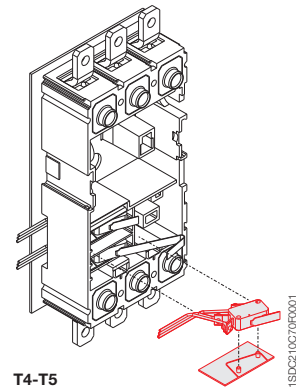


1SDC210C26RF0001

T7



T2-T3



T4-T5

A maximum of three contacts can be installed on the cradle of T2, T3, T4 and T5, a maximum of two contacts for Ts3, whereas up to five auxiliary contacts can be mounted on the cradle of T6 in all the combinations (for T4 and T5, in the draw out version, only one contact for signalling circuit breaker racked-out can be housed in the compartment closest to the bottom terminals).

The auxiliary contacts for T7 are inserted in a single block consisting of two contacts for signalling racked-in, two for isolated-test and two for racked-out.

Trip reset

Available on the motorized T7 the trip reset is a coil which allows remote circuit breaker resetting following a trip of the overcurrent releases. It is available with two power supply voltages: 24...30 V AC/DC, 110...130 V AC/DC and 200...240 V AC/DC.

Mechanical operation counter

Available on the motorized T7, it is connected to the operating mechanism by means of a simple lever mechanism. It indicates the number of circuit breaker mechanical operations. The indication is visible from the outside on the front of the circuit breaker.



1SDC210N19RF0001



1SDC210D22RF0001

Accessories

Remote control



1SDC210C71F0001



1SDC210C72F0001

Solenoid operator for T1, T2 and T3 – MOS (UL FILE: E116596)

The solenoid operator allows remote circuit breaker opening and closing control and is particularly recommended for use in electric network supervision and control systems. A selector allows switching from automatic to manual operation and a block is also available (supplied as standard) for the operating mode of the motor. It is always provided with a padlock in the open position which prevents any additional commands, either locally or remotely. It operates both circuit breaker opening and closing, working directly on the circuit breaker lever.

It is offered in two versions, the first is “side-by-side” with the circuit breaker for T1 and T2, for installation on a panel or DIN EN 50022 rail. The other on the “front” for T1, T2 and T3, suitable for installation directly on the front of the circuit breaker.

The latter is complete with an operating handle. The front version can also be used with plug-in circuit breakers.

Coupling with the residual current release is only allowed for a circuit breaker with a side-by-side solenoid operator, to allow access to the user interface of the residual current release from the front of the switchgear. In fact, using the solenoid operator superimposed would imply the circuit breaker position on the rear of the door and its residual current release and the interface would no longer be accessible. This combination can only be installed directly on the back plate of the switchgear. Both versions can be used either in the three-pole or four-pole version. The solenoid operator is supplied complete with 1m long cables and, just for the superimposed version, with a socket-plug connector with 5 poles.

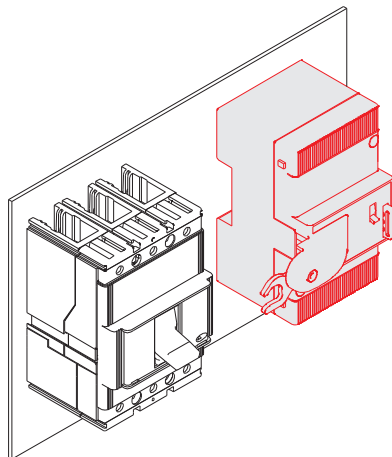
Both the opening and closing commands are operated by the solenoid which acts directly on the circuit breaker lever.

The main parameters relative to the solenoid operator are indicated in the table.

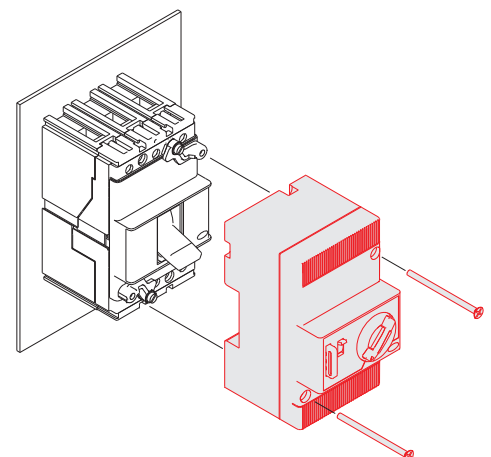
Rated voltage, Un

AC	[V]	110...250
DC	[V]	48...60 / 110...250
Operating voltage		85...110% Un
Inrush power consumption during operation		1800 [VA] / 1000 [W]
Power on stand-by		< 100 [mW]
Time	opening [s]	< 0.1
	closing [s]	< 0.1
Mechanical life	[no. Operations]	25000
	[no. Operations/h]	240 (T1 and T2); 120 (T3)
Degree of protection, on the front		IP30
Minimum control impulse time on opening and closing	[ms]	>100

The unit is permanently supplied on stand-by, a control is applied by means of an external contact (relay, opto-insulator) in a low power circuit.
 Contact characteristics: V AC/DC = 24 V
 I AC/DC = 50 mA



1SDC210C73F0001



1SDC210C74F0001

Accessories

Remote control



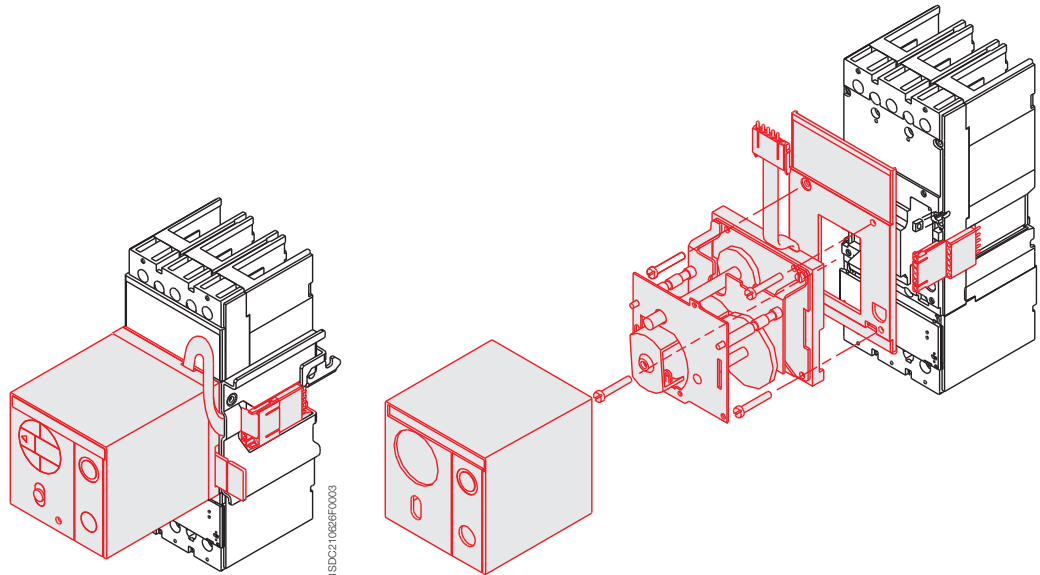
1SDC210547F0003

Direct action motor operator for Ts3 (UL file: E116596)

Both the opening and closing command is controlled by the motor, which acts directly on the circuit breaker lever. The table shows the power supply voltage values U_n [V].

Motor operator Ts3

		AC	DC
Rated voltage, U_n	[V]		24
	[V]		48...60
	[V]	120	125
	[V]	240	250
	[V]	440	
Operating voltage		85...110% U_n	
Inrush power absorption P_s		500 [VA]	500 [W]
Service power absorption P_c		350 [VA]	350 [W]
Operating frequency	[Hz]	50-60	
Time constant	[ms]	18	
Duration	opening [s]	0.1	
	closing [s]	0.1	
Mechanical life	[no. operations]	15000 (S3-S4) - 10000 (S5)	
Degree of protection, on the front		IP30	
Minimum duration of the opening and closing command impulse	[ms]	≥ 150	



1SDC210628F0003

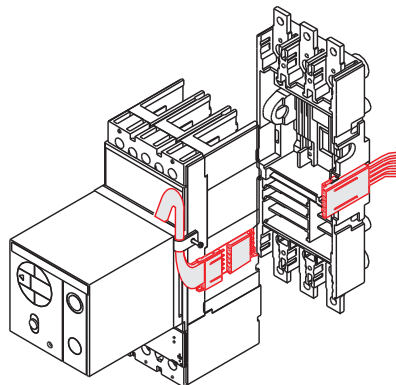
1SDC210627F0003



1SDC210630F0003

Connectors for motor operators (only for Ts3)

The motor operators for Ts3 can only be supplied by means of the specific connectors. They are of the slide type and allow simultaneous connection of both the motor operator and the auxiliary contacts to the relative power supply circuit. They are an alternative to the corresponding connectors for the auxiliary contacts because they are housed in the same seat. They must be ordered specifying the size and version of the circuit breaker (fixed or plug-in/draw out).



1SDC210630F0003

Accessories

Remote control



1SDC210C78F0001

Stored energy motor operator for T4, T5 and T6 – MOE and MOE-E (UL FILE: E116596)

With the stored energy motor operator, it is possible to control both opening and closing of the circuit breaker on which it is installed. During opening of the circuit breaker, the spring system is recharged automatically: the stored energy is exploited in this way to close the circuit breaker.

The motor operator is always supplied with socket-plug connectors with 39.4" (1 m) long cables and is always fitted with a padlock in the open position, which prevents any command, either locally or remotely. The connectors, once inserted in the special slot on the left-hand side of the circuit breaker, extend out of the outline of the circuit breaker itself and are only compatible with pre-wired electrical accessories. A selector allows passage from automatic to manual operation and a block is also available (supplied as standard) for the operating mode of the motor.

The motor operator can be fitted both with a key lock in the open position (with the same MOL-S keys for groups of circuit breakers or different MOL-D keys) and with an MOL-M key lock against manual operation: in the former case, the lock in the open position is both of electrical and mechanical type, in the latter case, only of mechanical type, i.e. only closing from the front of the circuit breaker (remote closing is allowed). In the case of interlocked circuit breakers, for safety reasons the key lock against manual operation is required.

The motor operator is always fitted with a contact to signal "auto" or "manual" (not on changeover).

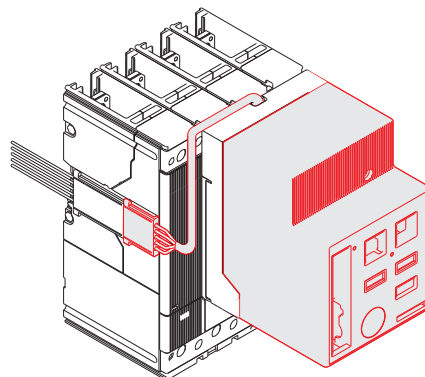
On request, it can also be fitted with an AUX-MO auxiliary contact (on changeover), which provides a signal of its state of service: "auto" (remote control of the circuit breaker) or "manual".

If the circuit breaker is fitted with the PR222DS/PD-A electronic trip unit, instead of the MOE motor operator, it is possible to use the MOE-E motor operator: for its use, the circuit breaker must also be fitted with the AUX-E auxiliary contacts (standard supply with MOE-E). The MOE-E allows use of the digital signals coming from the supervision and control system, by means of the PR222DS/PD-A and the AUX-E contacts, and to convert these into power signals to operate the motor operator. All the characteristics indicated above for the MOE motor operator are also valid for the MOE-E.

The main parameters relative to the stored energy motor operator are indicated in the table.

MOE and MOE-E

	Tmax T4-T5		Tmax T6	
	AC [V]	DC [V]	AC [V]	DC [V]
Rated voltage, Un	-	24	-	24
	-	48...60	-	48...60
	110...125	110...125	110...125	110...125
	220...250	220...250	220...250	220...250
	380	-	380	-
Operating voltage [% Un]	85...110	85...110	85...110	85...110
Power consumption on inrush Ps	≤ 300 VA	≤ 300 W	≤ 400 VA	≤ 400 W
Power consumption in service Pc	≤ 150 VA	≤ 150 W	≤ 150 VA	≤ 150 W
Duration	opening [s]	1.5	3	
	closing [s]	< 0.1	< 0.1	
	resetting [s]	3	5	
Mechanical life [no. Operations]	20000		10000	
Degree of protection, on the front	IP30		IP30	
Minimum control impulse time on opening and closing [ms]	≥ 100		≥ 100	



1SDC210C78F0001



1SD2C210023DF0001

Testing extension for motor operators

Available for circuit breakers Tmax T4, T5 and T6, the testing extension for motor operators allows the motor operator to be connected to the relative power supply circuit with the circuit breaker in the removed position. With the circuit breaker in a safe position, i.e. isolated from the power circuits, it is possible to carry out blank tests of the circuit breaker functions.

Spring charging motor for the stored energy T7

Only available on Tmax T7 in the stored energy version, the spring charging motor automatically charges the circuit breaker operating mechanism springs. This operation is carried out automatically immediately after closure of the circuit breaker.

When there is no power supply or during maintenance work, the closing springs can, in any case, be charged manually by means of the special operating mechanism lever. It is always fitted with limit contact. The spring charging motor is always fitted with a terminal to be mounted in the terminal board to carry out the cabling.

Spring charging motor

	Tmax T7M	
	AC [V]	DC [V]
Rated voltage, Un	24...30	24...30
	48...60	48...60
	100...130	100...130
	220...250	220...250
	380...415	
Opening voltage [% Un]	85...110	85...110
Power consumption	≤ 100 VA	≤ 100 W
Charging time [s]	8 - 10	8 - 10

Note: To allow a complete remote control with T7 motorizable, the circuit breaker must be fitted with:
 - shunt trip;
 - closing coil;
 - spring charging motor.

Accessories

Remote control

Adapters – ADP

For the SOR, PS-SOR, UVR, AUX, MOE or MOE-E and AUE pre-wired electrical accessories used with Tmax T4, T5 and T6 in the plug-in or draw out versions, it is necessary to use the adapters to be coupled with the plug, which will then be connected to the socket on the cradle.

According to the electrical accessories required, one or two adapters must be mounted on the left and/or right side of the moving part.

There are four adapter types available:

- 5-way adapters
- 6-way adapters
- 10-way adapters
- 12-way adapters.

The table below indicates the adapters which have to be used for the various possible combinations of electrical accessories:

Adapters ADP for T4, T5 and T6 wired accessories

	5- way	6- way	10- way	12- way
Left side				
SOR	■			
UVR	■			
SA for residual current release RC222	■			
SOR or UVR + SA for residual current release RC222	■			
MOE (MOE-E)			■	
MOE (MOE-E) + SOR or UVR			■	
MOE (MOE-E) + SOR or UVR + SA for residual current release RC222			■	
AUE			■	
AUE + SOR or UVR			■	
AUE + SOR or UVR + SA for residual current release RC222			■	
Right side				
AUX 1Q + 1SY 1 open/closed changeover contact + 1 trip unit tripped changeover contact		■		
AUX 2Q 2 open/closed changeover contacts		■		
AUX 3Q + 1SY 3 open/closed changeover contacts + 1 trip unit tripped changeover contact				■

On the other hand, for Tmax T2 and T3 in the plug-in version it is necessary, to order the socket-plug connectors: with 12 poles for the AUX auxiliary contacts - 3 open/closed changeover + 1 release tripped changeover, with 6 poles for the AUX auxiliary contacts - 1 open/closed changeover + 1 release tripped changeover and with 3 poles for the service releases (SOR or UVR).

For T2 in the plug-in version with PR221 electronic trip unit and suitable auxiliary contact, it is necessary to order a 6 and a 3 pole socket-plug connector.

Socket plug connectors

In order to allow the racking-in and racking-out operations of the moving part of the plug-in circuit breaker, the wired and unwired electrical accessories of Tmax T2 and T3 and the unwired electrical accessories of Tmax T4, T5 and T6 must be fitted with one or more socket plug connectors, as per the table below.

Socket plug connectors

	3 poles	6 poles	12 poles
T2-T3-T4-T5-T6			
SOR	■		
UVR	■		
AUX 1Q + 1SY 1 open/closed changeover contact + 1 trip unit tripped changeover contact		■	
AUX 2Q 2 open/closed changeover contacts		■	
AUX 3Q + 1SY 3 open/closed changeover contacts + 1 trip unit tripped changeover contact			■
T2-T3			
MOS overload ⁽¹⁾		■	
AUE	■		
AUX 2Q + 1SY for PR221 2 open/closed contacts + 1 trip unit tripped changeover contact	■	■	
AUX 1S51 + 1Q + 1SY for PR221 1 changeover contact + 1 SA electronic release trip contact + 1 trip unit tripped changeover contact	■	■	

⁽¹⁾ Always provided with the overlaid solenoid operator

Accessories

Operating mechanisms and locks



T4-T6

Rotary handle operating mechanism – RHD/RHE (UL FILE: E116596)

Thanks to its ergonomic grip, the rotary handle facilitates the circuit breaker closing and opening operations.

It is always fitted with a padlock-lock in the open position which prevents circuit breaker closing. The opening in the padlock-lock can take up to 3 padlocks - Ø 0.27" (7 mm) stem (not supplied), 0.24" (6 mm) only for Ts3 (not supplied). It is always (except for Ts3) fitted with a compartment door lock and on request it can be supplied with a key lock in the open position. On request, the Ts3 can be supplied with a compartment door lock or key lock in the open position. Application of the rotary handle operating mechanism is an alternative to the motor operator and to the front interlocking plate (MIF) for T1, T2 and T3, or to the motor operator and to the front for lever operating mechanism for Ts3, T4, T5 and T6. The rotary handle operating mechanism is available in either the direct mount or variable depth version on the compartment door. The rotary handle operating mechanism in the emergency version, complete with a red on yellow background handle, suitable for controlling machine tools, is available in both the versions.

The rotary handle operating mechanism is available on T7 with lever operating mechanism and, only for the direct mount version, is characterised by an articulated grip which allows the switchgear door to be opened in case of an emergency with the circuit breaker closed. The release settings and nameplate data remain accessible to the user.

The variable depth rotary handle operating mechanisms can be ordered by building up the following three devices:

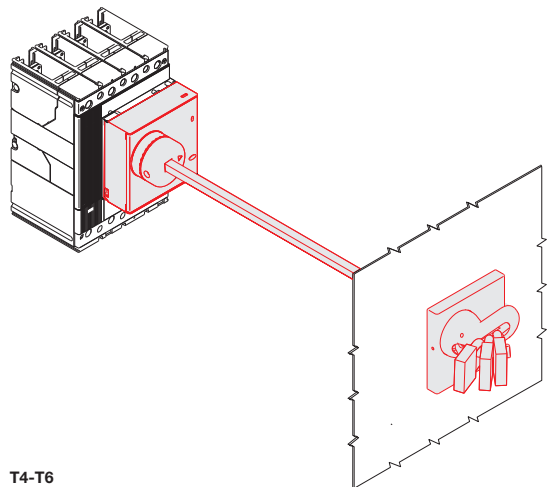
- rotary handle on the compartment door
- shaft (19.68"/500 mm)
- base for circuit breaker or, alternatively, by using the code of the ready-configured version.

3

Type of RH_ operating mechanism

		T1		T2, T3		Ts3			T4, T5			T6		T7 ⁽¹⁾	
		F	F	P	F	P	W	F	P	W	F	W	F	W	
RHD	Direct	■	■	■	■	■	■	■	■	■	■	■	■	■	■
RHD_EM	Emergency direct	■	■	■	■	■	■	■	■	■	■	■	■	■	■
RHE	Transmitted with adjustable distance	■	■	■	■	■	■	■	■	■	■	■	■	■	■
RHE_EM	Emergency transmitted with adjustable distance	■	■	■	■	■	■	■	■	■	■	■	■	■	■
RHE_B	Base for circuit breaker	■	■	■				■	■	■	■	■	■	■	■
RHE_S	Shaft for variable depth handle	■	■	■	■	■		■	■	■	■	■	■	■	■
RHE_H	Handle for transmitted RH with variable depth	■	■	■				■	■	■	■	■	■	■	■
RHE_H_EM	Emergency handle for transmitted RH with variable depth	■	■	■				■	■	■	■	■	■	■	■

⁽¹⁾ The rotary handle operating mechanism is only available for T7 with lever operating mechanism and it is as an alternative to the key lock mounted on the circuit breaker.



T4-T6

The IP54 protection for rotary handle (UL FILE: E116596)

Allows IP54 degree of protection to be obtained.

It is available for the transmitted rotary handle operating mechanism on the compartment door (RHE) for all the Tmax circuit breakers.



1SDC210C86F001



1SDC210C81F001

Front for lever operating mechanism – FLD (UL FILE: E116596)

This can be installed on fixed, plug-in or draw out Tmax Ts3, T4, T5 and T6 circuit breakers. In the case of draw out circuit breakers, installed in a switchboard, it allows the IP40 degree of protection to be maintained for the whole isolation run of the circuit breaker.

It is always fitted with a padlock in the open position \varnothing 0.24" (6 mm) stem up to three padlocks (not supplied) which prevents closing of the circuit breaker and of the compartment door, and with compartment door lock. On request, it can be fitted with a key lock in the open position.

It is available in the following versions:

- for fixed or plug-in circuit breaker
- for draw out circuit breaker.

The front for lever operating mechanism is always an alternative to the motor operator and to the rotary handle and to the display FDU.

The same flange for the compartment door already supplied with the circuit breaker or the one supplied with the conversion kit for draw out (except for Ts3) version can be used.



1SDC210C85F001

Padlock for operating lever – PLL

This is applied to the T1 - T2 - T3 circuit breaker cover to prevent the lever closing or opening operation. It allows installation up to a maximum of three padlocks \varnothing 0.24" (7 mm) stem (not supplied). It is available in the following versions:

- plug-in locking device only of the closing operation
- locking plate on the closing and opening operation according to the assembly position. The lock on the opening operation does not prevent release of the mechanism following a fault or remote control command
- locking plate just for the closing operation.

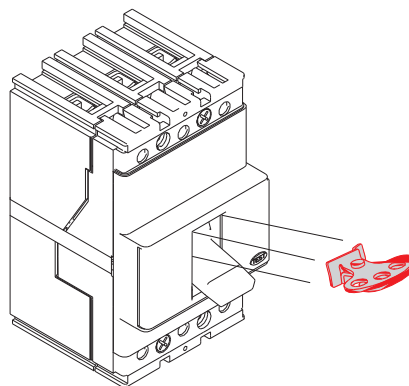
It is incompatible with the front accessories: solenoid operator, rotary handle operating mechanism and mechanic interlock.

The padlock is also available for T7 and it is directly mounted on the circuit breaker cover.



1SDC210C83F001

T1-T3



T1-T3

1SDC210C84F001

Accessories

Operating mechanisms and locks

Key lock on the circuit breaker for T1, T2, T3 and T7 – KLC

This allows the mechanical closing operation of the circuit breaker to be locked and is installed directly on the front in the slot in correspondence with the left pole. This cannot be installed when the front operating mechanism, rotary handle operating mechanism, motor operator, or RC221/RC222 residual current releases are present, or on the three-pole circuit breakers equipped with service releases (UVR, SOR). The key lock is the Ronis 622 type and is available in two versions:

- standard type, with key only removable with the circuit breaker locked
- special type, with key removable in both positions.

On T7 the key lock in the open position is mounted directly on the circuit breaker cover both in the version with different keys and with the same keys. Presettings for Ronis and Profalux key locks are also available.

Key lock for rotary handle operating mechanism for T1, T2 and T3 – RHL

This allows the mechanical closing operation of the circuit breaker to be locked.

The following versions are available:

- lock with a different key for each circuit breaker
- lock with the same key for groups of circuit breakers.

The circuit breaker in the open position ensures isolation of the circuit in accordance to the IEC 60947-2 Standard. It is also available in the version which allows the lock both in the open and closed position. The lock in the closed position does not prevent release of the mechanism following a fault or remote control.

Key lock for Ts3, T4, T5, T6 and T7 – KLF-D and KLF-S

This allows mechanical operation of the circuit breaker to be locked. This lock can be used with the direct or transmitted rotary handle operating mechanism mounted on the base for circuit breaker or with the front for lever operating mechanism.

The lock of the circuit breaker in the open position ensures isolation of the circuit in accordance with the IEC 60947-2 Standard. For Ts3 different locks are supplied for the direct action motor operator, for stored energy motor operator, for rotary handle or front for lever operating mechanism. For T4, T5, T6 and T7 in the lever operating mechanism version key locks in the open position are available either with different keys (KLF-D) or with the same keys (KLF-S): in this case, up to four different key numbering codes are available (n. 2005-2006-2007-2008).

Lock in the racked-out position for cradle (Ts3, T4, T5 and T6)

For Ts3, T4, T5 and T6 draw out circuit breakers, key or padlocks locks are available to be applied onto the rail of the cradle, to prevent racking-in of the plug-in part.

Selection can be made among the following:

- key lock with different keys (KLF-D FP)
- key lock with the same keys for groups of circuit breakers (KLF-S FP)
- Ronis type key lock (KLF-D Ronis FP)
- padlock, which can take up to three padlocks with Ø 0.24" (6 mm) stem, not supplied (PLL FP).



1SDC210C38F0001



1SDC210C38F0001



1SDC210D24F0001



1SDC210024F0001

Lock in racked-in – isolated – racked-out position for cradle of T7

This device allows the moving part of a draw out T7 circuit breaker to be locked in the racked-in, isolated-test or racked-out position in the relative cradle. Thanks to mounting an additional accessory, the lock can be limited just to the racked-out position. The cradle can be equipped with 1 or 2 of these key locks.



1SDC210025F0001

Mechanical lock of compartment door

A mechanical lock of compartment door available on Ts3 and T7 for both the lever operating mechanism and for the motorizable version. It does not allow the compartment door to be opened with the circuit breaker closed (and circuit breaker racked-in for circuit breakers in the draw out version) and locks the circuit breaker closing with the compartment door open. For Ts3 circuit breakers, it consists of two elements: one applied to the rotary handle operating mechanism or to the front for the lever operating mechanism, the other consisting of a metal striker to be applied onto the compartment door. For T7 two versions are available: a door lock made by means of cables and a second type fixed directly on the side of the circuit breaker or of the relative cradle. The cable door lock must also be fitted with the interlock cable kit and the interlocking plate corresponding to the combined circuit breaker.



1SDC210037F0001

Sealable thermal adjustment lock

This is applied to the circuit breaker cover near the thermal element regulator of the TMD thermomagnetic trip unit for T1, T2, T3 and Ts3 and prevents it being tampered with.

Overview of the available locks

	T1	T2	T3	Ts3	T4	T5	T6	T7
FDL Front for lever operating mechanism				■	■	■	■	
PLL _ Padlock for operating lever	■	■	■					■
KLC _ Key lock on the circuit breaker	■	■	■					■
RHL Keylock for rotary handle operating mechanism	■	■	■					
KLF-D and KLF-S Key lock for front for lever and rotary handle				■	■	■	■	
MOL-D and MOL-S _ Key lock in open position for MOE and MOE_E					■	■	■	
MOL-M _ Key lock against manual operation for MOE and MOE_E					■	■	■	
KLF-FP and PLL FP _ Locks in open position for cradle					■	■	■	■
Mechanical lock on compartment door				■				■
Sealable lock of thermal adjustment	■	■	■	■				

Accessories

Operating mechanisms and locks



1SDC210288F0001

T1-T2-T3



1SDC210288F0001

T3-T4-T5-T6

Mechanical interlock (UL FILE: E116596)

T1-T2-T3

The mechanical MIF interlock can be applied on the front of two T1, T2 or T3 circuit breakers mounted side by side, in either the three-pole or four-pole fixed version and prevents simultaneous closing of the two circuit breakers. Fixing is carried out directly on the back plate of the switchboard. The front interlocking plate allows installation of a padlock in order to fix the position (possibility of locking in the O-O position as well). It is also possible to interlock three circuit breakers side by side, using the proper plate, thereby making the following interlock combinations: IOO-OIOOOI-OOO. It is incompatible with the front accessories (solenoid operator, rotary handle operating mechanism) and with the residual current releases.

T3

For T3, in the three-pole or four-pole fixed or plug-in version, the MIR mechanical interlock is available. This rear interlock, available in the horizontal (MIR-H) and vertical (MIR-V) version, is compatible with all the front accessories and with the residual current release (only MIR-H).

The following interlocking combinations can be made: IO-OI-OO.

Ts3

For Ts3 circuit breakers the (rear) mechanical interlock allows installation of two circuit breakers in a single support and, by means of a walking beam mechanism, makes them mechanically interdependent. It prevents operation in parallel of two power supply sources (eg. normal-emergency). It consists of a kit with levers and assembly accessories and a metallic support. The mechanical interlock is available in the version for side-by-side circuit breakers and for superimposed circuit breakers. Only circuit breakers of the same size and in the same version can be interlocked.

T4-T5-T6

The mechanical interlock for T4, T5 and T6 allows installation of two circuit breakers on a single support and, by means of special lever mechanisms, makes them mechanically interdependent.

For Tmax T4 and T5 this is a rear interlock consisting of a vertical or horizontal frame group (MIR-HR or MIR-VR) and of a pair of metal plates for fixing the circuit breakers (MIR-P). The frame group is made up of metal frame and of the lever mechanism interlock. The metal plates are of different type according to the sizes of the circuit breakers to be interlocked.

For Tmax T6 this is a rear interlock consisting of a vertical or horizontal support.

Interlock

Type			
A	T4 (F-P-W)	+	T4 (F-P-W)
B	T4 (F-P-W)	+	T5 400 (F-P-W) o T5 630 (F)
C	T4 (F-P-W)	+	T5 630 (P-W)
D	T5 400 (F-P-W) o T5 630 (F)	+	T5 400 (F-P-W) o T5 630 (F)
E	T5 400 (F-P-W) o T5 630 (F)	+	T5 630 (P-W)
F	T5 630 (P-W)	+	T5 630 (P-W)

There are no limitations on the versions to be interlocked, therefore, for example, a fixed circuit breaker can be interlocked with a draw out version switch-disconnector.

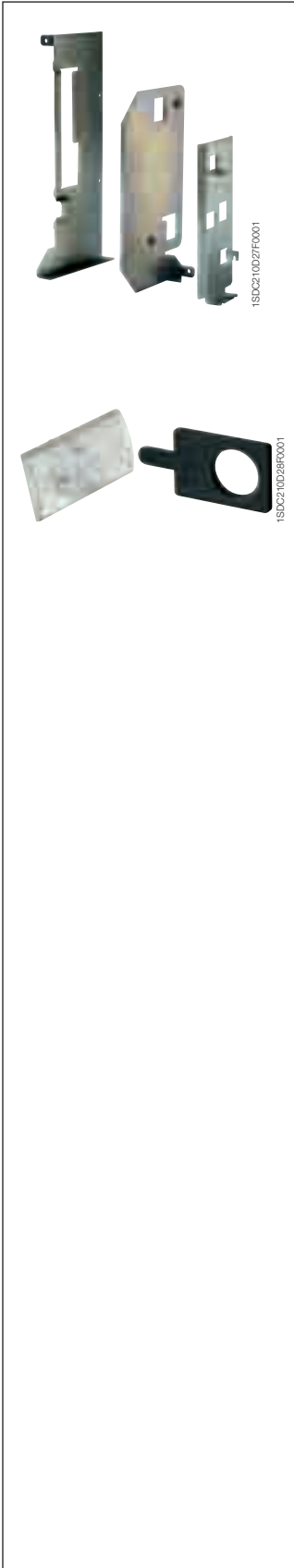
Since this is a rear interlock, all the front accessories which are compatible with the circuit breakers can be used.

In the vertical interlock the bottom terminals of the upper circuit breaker and the top terminals of the lower circuit breaker must be of rear type.

To be able to receive the circuit breakers mounted directly on the interlocking plate, code "1SDA050093R1" must be specified as the accessory of the second circuit breaker (or cradle) you want to interlock.



1SDC210028F0001



T7

This mechanism makes the mechanical interlock between two T7 circuit breakers by means of flexible cables, which are connected on a plate mounted on the side of the circuit breaker preventing simultaneous closing of the two circuit breakers. The plates to be mounted on the circuit breaker differ according to whether the circuit breaker is in the fixed or draw out version. The interlock is available both for the manual operating mechanism version and for the motor operator one.

Transparent pushbutton protection – TCP

A transparent protection for the circuit breaker opening and closing pushbuttons is available in two different versions on T7 with stored energy operating mechanism: one which protects both the pushbuttons and the other which alternatively protects either the opening or the closing pushbutton. There is the possibility of putting a padlock, which adds the lock function to the protection. In the closed position this lock does not prevent release of the mechanism following a fault or a remote command.

IP54 door protection

Available with T7 motorizable, it is made by means of a transparent plastic cover which completely protects the front of the circuit breaker and allows IP54 degree of protection to be reached. Mounted on hinges, it is provided with a key lock.

Accessories

Residual current releases - IEC only

All the Tmax series of circuit breakers, both automatic circuit breakers and switch-disconnectors, are preset for assembly with residual current releases.

In particular, the Tmax T1, T2 and T3 circuit breakers can be combined with the new version of the SACE RC221 or RC222 series of residual current releases.

Tmax Ts3 can be combined with SACE RC211 or RC212 residual current releases and four-pole T4 and T5 with RC222 or RC223 to be installed below the circuit breaker.

The T6 and T7 circuit breakers can be combined with the RCQ residual current switchgear release.

Apart from the protection against overloads and short-circuits typical of automatic circuit breakers, the residual current circuit breakers derived from them also guarantee protection of people and protection against ground fault currents, thereby ensuring protection against direct contacts, indirect contacts and fire hazards. The residual current releases can also be mounted on the Tmax T1D, T3D, T4D and T5D switch-disconnectors. In that case, the derived apparatus is a “pure” residual current circuit breaker, i.e. one which only guarantees residual current protection and not the protections typical of circuit breakers. “Pure” residual current circuit breakers are only sensitive to the ground fault current and are generally applied as main switch-disconnectors in small distribution switchboards towards end users.

The use of “pure” and “impure” residual current circuit breakers allows continual monitoring of the state of plant insulation, ensuring efficient protection against fire and explosion hazards and, when the devices have $I_{\Delta n} \leq 30$ mA, ensure protection of people against indirect and direct ground contacts to fulfil the compulsory measures foreseen by the accident prevention regulations and prescriptions.

The residual current releases are constructed in compliance with the following Standards:

- IEC 60947-2 appendix B
- IEC 61000: for protection against unwarranted release.

They are constructed using electronic technology and act directly on the circuit breaker by means of a trip coil, supplied with the residual current release, to be housed in the special slot made in the left-hand pole area.

They do not require an auxiliary power supply as they are supplied directly by the network and their operation is guaranteed even with only a single phase plus neutral or only two phases supplied with voltage and in the presence of unidirectional pulsating currents with direct components. All the possible connection combinations are allowed, except for guaranteeing, in the four-pole version, connection of the neutral to the first pole on the left.

The RC221 and RC222 residual current releases can either be supplied from above or from below.

The operating conditions of the apparatus can be continually controlled by the electronic circuit test pushbutton and the magnetic indicator of residual current trip.

A disconnection device of the power supply during the insulation test is available.

The four-pole circuit breaker complete with residual current release can be fitted with the electrical accessories normally available for the circuit breaker. The shunt opening and undervoltage releases are housed in the special slot made in the neutral pole for the four-pole circuit breakers, whereas they are incompatible with the three-pole circuit breakers.

The residual current releases are supplied complete with:

- a trip coil to be housed in the area of the third pole, complete with an auxiliary contact signalling residual current release trip
- dedicated flange.

A changeover contact for signalling residual current protection trip is always supplied for Tmax circuit breakers, combined with the RC221 and RC222 residual current releases. Two changeover contacts for signalling pre-alarm and alarm are also available with the RC222 release.

The opening solenoid for the RC221, RC222 and RC223 residual current releases is available as a spare part.

A circuit breaker cannot have the residual current release and the rotary handle or the motor operator mounted at the same time (except for MOS in the side-by-side version for T1 and T2).



1SDC210C96R0001 U.L.



1SDC210C93R0001

T1-T2-T3

RC221 and RC222 residual current releases for T1, T2 and T3

The RC221 and RC222 residual current releases for T1, T2 and T3 circuit breakers are available both with three-pole and four-pole circuit breakers, in the fixed version.

The configuration foresees insertion of the circuit breaker on the structure of the corresponding residual current release, making access to the adjustments on the left-hand side of the circuit breaker available, whilst the toroid is in the underneath position.

A distinguishing characteristic is provided by the type of cable connection which is made directly on the circuit breaker, once the residual current release has been mounted, thereby ensuring simplification and rationalisation of the installation procedure.

With Tmax T2 and T3, only front terminals for copper cables (FC Cu) at the bottom are mounted on the residual current releases.

For this reason, when the residual current release is ordered, the FC Cu terminal semi-kit is always supplied.

On the other hand, for four-pole Tmax T1, it is also possible to mount the rear horizontal flat terminal kit below (HR for RC221/RC222).

Furthermore for four-pole T1 a version of the RC222 residual current release is available in 7.87" (200 mm) modules. This release keeps the same technical characteristics as the normal RC222 for T1, T2 and T3 but thanks to its reduced height, allows installation in 7.87" (200 mm) modules. Its special shape also allows a reduction in the overall dimensions when two or more units are placed side by side.

The bracket for fixing onto DIN 50022 rail is available on request.

A circuit breaker cannot have the residual current release and the overlaid solenoid operator or the rotary handle operating mechanism mounted at the same time.

SACE RC211 and RC212 electronic residual current releases for Ts3

The SACE RC211 or RC212 residual current releases can be installed on the Tmax Ts3 circuit breaker, in the fixed, four-pole version and can be supplied in two versions as follows:

- for assembly beside the circuit breaker
- for assembly under the circuit breaker.

They are constructed using analogue technology and act directly on the circuit breaker by means of an opening solenoid, supplied with the release, to be housed in the special slot made in the area of the third pole.

They do not require an auxiliary power supply since they are supplied directly from the network and their operation is guaranteed even with only a single phase supplied with voltage and in the presence of one-direction pulsating currents with continuous components.

The operating conditions of the apparatus can be controlled constantly by means of the test pushbutton of the electronic circuit and the residual current trip magnetic indicator.

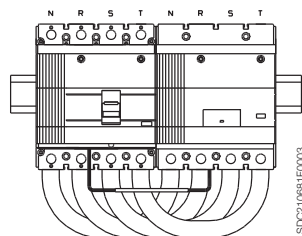
The circuit breaker complete with residual current release can be fitted with the electrical accessories normally available for the circuit breaker. The opening and undervoltage releases are housed in the special slot made in the fourth pole.

Residual current release beside the four-pole version circuit breaker

This is supplied complete with:

- power cables for connection to the lower terminals of the circuit breaker (respect correspondence with the neutral and phases)
- an opening solenoid to be housed in the area of the third pole, complete with plug-socket connector for connection to the residual current release
- 2 brackets for fixing on DIN rail (one for the circuit breaker and one for the residual current release)
- plug connector to make the connection of the remote opening pushbutton (to be provided by the customer).

For the Tmax Ts3 circuit breaker, the residual current release is fitted with front terminals and is also supplied with a front flange H = 1.77" (45 mm) for the circuit breaker. On request, the front terminals for cables can be mounted, using the standard circuit breaker kit.



beside

1SDC210B81R0003

Accessories

Residual current releases - IEC only



1SDC210C38F0001 UL



1SDC210C38F0001

T4-T5

RC222 residual current release for T4 and T5

The RC222 release for T4 and T5 is available in the four-pole version and is mounted below the circuit breaker.

The release is supplied with standard front terminals, but it can also be combined with all the terminals available for the corresponding circuit breaker.

The RC222 residual current release, in the fixed version, can easily be converted into plug-in and into draw out by adding the special conversion kit and applying a derating of the performances as indicated in the table on the next page.

A circuit breaker cannot have the residual current release and the motor operator mounted at the same time.

RC223 (B type) residual current release for T3 and T4 250 A

The RC223 (B type) residual current release can only be combined with the Tmax T3 and T4 250 A four-pole circuit breakers in the fixed, plug-in and draw out version (plug-in and draw out version only for T4). The range of operation of the primary line-to-line voltage of this residual current release varies between 110 V and 500 V, with operation starting from 55 V phase-neutral. It is characterised by the same types of reference as the RC222 (S and AE type) release, but can also boast conformity with type B operation, which guarantees sensitivity to residual fault currents with alternating, alternating pulsating and direct current components.

The reference Standards are: IEC 60947-1, IEC 60947-2 Appendix B, and IEC 60755.

Apart from the signals and settings typical of the RC222 residual current release, the RC223 also allows selection of the maximum threshold of sensitivity to the residual fault frequency (3 steps: 400 - 700 - 1000 Hz). It is therefore possible to adapt the residual current device to the different requirements of the industrial plant according to the prospective fault frequencies generated on the load side of the release. Typical installations which may require frequency thresholds different from the standard ones (50 - 60 Hz) are the welding plants for the automobile industry (1000 Hz), the textile industry (700 Hz), airports and three phase drives (400 Hz).

A circuit breaker cannot have the residual current release and the motor operator mounted at the same time.

The residual current RC223 for T3 has front terminals as default. For connection to the T3+RC223 unit, use the terminal kits available for size T3 on the top terminals and terminal kits for T4 on the bottom terminals.

Circuit breakers size	RC211	RC212	RC221	RC222		RC223
	Ts3 (4p only)	Ts3 (4p only)	T1-T2-T3	T1-T2-T3	T4 and T5 (4p only)	T3 and T4 (4p only)
Type	beside/below	beside/below	"L" shaped	"L" shaped	placed below	placed below
Technology	microprocessor-based	microprocessor-based	microprocessor-based	microprocessor-based	microprocessor-based	microprocessor-based
Action	with solenoid	with solenoid	with trip coil	with trip coil	with trip coil	with trip coil
Primary service voltage ⁽¹⁾ [V]	220...500	50...500	85...500	85...500	85...500	110...500
Operating frequency [Hz]	45...66	45...66	45...66	45...66	45...66	45...66
Self-supply	■	■	■	■	■	■
Test operation range ⁽¹⁾ [V]	220...500	50...500	85...500	85...500	85...500	110...500
Rated service current [A]	up to 250 A	up to 250 A	up to 250 A	up to 250 A	up to 500 A	up to 250 A (225 A for T3)
Rated residual current trip [A]	0.03-0.1-0.3	0.03-0.1-0.3-0.5-3	0.03-0.1-0.3-0.5-1-3	0.03-0.05-0.1-0.3-0.5-1-3-5-10	0.03-0.05-0.1-0.3-0.5-1-3-5-10	0.03-0.05-0.1-0.3-0.5-1
Time limit for non-trip [s]	instantaneous	0.1-0.25-0.5-1-1.5	instantaneous	instantaneous 0.1-0.2-0.3-0.5-1-2-3	instantaneous 0.1-0.2-0.3-0.5-1-2-3	instantaneous 0.1-0.2-0.3-0.5-1-2-3
Tolerance over trip times		± 20%		± 20%	± 20%	± 20%
Power consumption ⁽²⁾			< 8 W at 400 V AC	< 10 W at 400 V AC	< 10 W at 400 V AC	< 10 W at 400 V AC
Local trip signalling	■	■	■	■	■	■
Trip coil with changeover contact for trip signalling	■	■	■	■	■	■
Input for remote opening		■		■	■	■
NO contact for pre-alarm signalling				■	■	■
NO contact for alarm signalling				■	■	■
Indication of pre-alarm from 25% IΔn (tolerance ±3%)			■	■	■	
Indication of alarm timing at 75% IΔn (tolerance ±3%)			■	■	■	
"A" type for pulsating alternating current, AC for alternating current	■	■	■	■	■	■
"AE" type for remote release device				■	■	■
Type B for pulsed current and direct current						■
Selective "S" type				■	■	■
Switch for insulation test			■	■	■	■
Power supply from above and below			■	■	■	■
Assembly with three-pole circuit breakers			■	■		
Assembly with four-pole circuit breakers	■	■	■	■	■	■
Kit for conversion of circuit breaker with residual current release from fixed to plug-in					■	■

⁽¹⁾ Operation up to 50 V Phase-Neutral (55 V for RC223)

⁽²⁾ The values of power consumption can be inferior at lower supply voltage

RC222-RC223 T4-T5 Performances

T3
T4 250
T5 400⁽²⁾
T5 600⁽²⁾

⁽¹⁾ 225 A with RC223

⁽²⁾ Available only with RC222

Maximum withstand current

Fixed	Plug-in/Draw out
250 A ⁽¹⁾	-
250 A	250 A
400 A	400 A
500 A	-

Accessories

Residual current releases - IEC only



1SDC210094R001

SACE RCQ switchboard residual current relay (IEC only)

The Tmax circuit breakers can also be combined with the SACE RCQ switchboard relay with separate toroid (to be installed externally on the line conductors) and these fulfil requirements with thresholds up to 30 A trips and times up to 5 s or when the installation conditions are particularly restrictive, such as with circuit breakers already installed, or limited space in the circuit breaker compartment.

Thanks to the wide range of settings, the SACE RCQ switchboard relay is suitable for applications where a system of residual current protection coordinated with the various distribution levels, from the main switchboard to the end user, is required. It is particularly recommended when low sensitivity residual current protection is required, such as in partial (current) or total (chronometric) selective chains, and for high sensitivity applications (physiological sensitivity) to provide protection of people against direct contacts. On a drop in the auxiliary power supply voltage, the opening command can intervene after a minimum time of 100 ms and after the time set plus 100 ms.

The SACE RCQ relay is a type A residual current relay and detects residual currents both of the alternating and pulsating type with continuous components.

The SACE RCQ relay is of the type with indirect action and acts on the circuit breaker release mechanism by means of the shunt trip (or of the undervoltage release) of the circuit breaker itself (to be ordered by the user). It is housed in the special slot made on the left-hand pole of the circuit breaker.

Residual current relay

Power supply voltage	AC [V]
	DC [V]
Operating frequency	[Hz]
Power consumption on in rush	
Power consumption in service	
Trip threshold adjustment $I\Delta n$	
1st range of adjustments	[A]
2nd range of adjustments	[A]
Trip time adjustment	[s]
Pre-alarm threshold adjustment	[%] x $I\Delta n$
Range of use of closed transformers	
Toroidal transformer \varnothing 2.36"/60 mm	[A]
Toroidal transformer \varnothing 4.33"/110 mm	[A]
Toroidal transformer \varnothing 7.28"/185 mm	[A]
Range of use of transformers which can be opened	
Toroidal transformer \varnothing 4.33"/110 mm	[A]
Toroidal transformer \varnothing 7.08"/180 mm	[A]
Toroidal transformer \varnothing 9.05"/230 mm	[A]
Signalling for alarm pre-threshold	
Residual current relay trip signalling	
Remote opening control	
Connection to the toroidal transformer	
Dimensions W x H x D	[In/mm]
Drilling for assembly on door	[In/mm]
Degree of protection on the front	
Degree of protection on the rear	

SACE RCQ

80 ... 500
48 ... 125
45 ÷ 66 Hz
100 [VA] / 100 [W]
6 [VA] / 6 [W]
0.03-0.05-0.1-0.3-0.5
1-3-5-10-30
instantaneous 0.1-0.2-0.3-0.5-0.7-1-2-3-5
25 ... 75% x $I\Delta n$
0.03 ... 30
0.03 ... 30
0.1 ... 30
0.3 ... 30
0.3 ... 30
1 ... 30
Yellow flashing LED 1 N.O., change-over contact 6 A - 250 V AC 50/60 Hz
Yellow magnetic flag change-over contacts (N.O. N.C.; N.O.) 6 A - 250 V AC 50/60 Hz
N.O. contact - Trip time 15 ms
By means of 4 twisted conductors. Maximum length: 5 m
3.77" x 3.77" x 5.17" / 96 x 96 x 131.5 mm
3.62" x 3.62" / 92 x 92 mm
IP41
IP30

Accessories

Accessories for electronic trip units



1SDC210039F0001

Front display unit – FDU

The front display is a display unit of the setting currents, alarms and parameters of the PR222DS/P and PR222DS/PD-A electronic trip units of T4, T5 and T6. The display unit can operate correctly with self-supply with $I \geq 0.35 \times I_n$ on at least one phase.

If the display is used in combination with the PR222DS/PD-A trip unit, and therefore with an auxiliary power supply, it is also possible to detect the protection which has caused the release trip and the fault current.

It is not compatible with the front accessories: rotary handle operating mechanism, motor operator and front for lever operating mechanism.

HMI030 interface on the front of switchgear

This accessory, which can be used with all the protection trip units fitted with dialogue, is designed for installation on the front of the switchgear. It consists of a graphic display where all the trip unit measurements and alarms/events are displayed. The user can navigate in a simple and intuitive way among the measurements by using the navigation pushbuttons. The device can replace the traditional multimeters without the need for current/voltage transformers. The HMI030 is connected directly to the protection trip unit by means of a serial line and requires a 24 V DC power supply.

Optional modules

The PR332/P trip unit for T7 can be enriched with additional internal modules, thereby increasing the capacity of the trip units and making these units highly versatile.



1SDC210039F0001

PR330/V voltage measuring module

This optional internal module can be added to PR332/P. It measures and processes the phase and neutral voltages, transferring this data to the protection trip unit so that a series of protection and measurement functions can be implemented.

It can be connected to the PR332/P at any time and the latter recognises it automatically without having to be configured.

PR330/V module, when ordered mounted on the circuit breaker, does not require any external connection or voltage transformers since it is connected internally to the upper terminals of Tmax T7 (selector in "INT" position) though the internal voltage sockets.

At the ordering stage, the code of the internal voltage socket can be specified in addition to the code of the T7 circuit breaker so as to guarantee the possibility to install even afterwards the PR332/P trip unit equipped with the PR330/V module connected internally to the upper terminals. If necessary, the connection of the voltage sockets can be moved externally with connection to the terminal board using voltage transformers connected to the top or bottom terminals.

On the PR330/V module there is a selector which defines the method of wiring implemented to detect the voltage measurements (INT = connection of the internal module towards the top terminals – EXT = connection to the terminal box). The "Insulating Test" position guarantees carrying out the dielectric test. A "Power Line" LED indicates presence of the line voltage.



1SDC210031F0001

PR330/D-M communication module (Modbus RTU)

The PR330/D-M communication module is the solution for connecting Tmax to a Modbus network for remote supervision and control of the circuit breaker.

It is suitable for the PR332/P trip unit for T7. As for the PR330/V, this module can be added to the protection trip unit and its presence is recognised automatically.

The electronic trip unit is supplied with three LEDs on the front:

- "Power" power supply LED, which indicates the presence of auxiliary power supply to the PR333/ D-M module
- "Tx" data transmission LED
- "Rx" data reception LED.

Accessories

Accessories for electronic trip units

3



PR330/R – Actuator module

The PR330/R actuator module is fitted in the right slot of T7 and it is used for opening (for T7 with lever operating mechanism it is allowed only the opening operation), and closing the circuit breaker by means of the shunt opening and closing releases by remote control. It is suitable for the PR332/P and must be compulsory ordered with the PR330/D-M communication module.

BT030 wireless communication unit

BT030 is a device to be connected to the Test connector of PR222DS, PR232/P, PR331/P and PR332/P. It allows Bluetooth communication between the protection trip unit and a hand-held or laptop PC with a Bluetooth port. BT030 can also be used with Emax circuit breakers fitted with PR121/P, PR122/P and PR123/P.

This device is dedicated for use with the SD-Pocket und SD-TestBus2 application.

BT030 can provide the power supply needed for self-supply and for the protection release by means of a rechargeable Li-ion battery.

PR030/B power supply unit

With this accessory, which is always supplied with the PR332/P range of trip units, it is possible to read and configure the parameters of the unit whatever the state of the circuit breaker is (open-closed, in the isolated for test position or racked-in, with/without auxiliary power supply).

PR030/B is needed for the readout of the data relative to trips if the trip occurred more than 48 hours previously and the trip unit was no longer supplied.

An electronic circuit inside allows power supply to the unit for about 3 hours continuously to carry out just the data reading and configuration operations.

The life of the battery decreases if the SACE PR030/B is also used to carry out the Trip test and the Auto test.

Trip unit adapter

In order to allow all the connections between the electronic trip unit type PR33x and the terminal board on the circuit breaker, the circuit breaker it self must be fitted with a trip unit adapter.

Two different trip unit adapters are available: one is suitable with T7 level operating mechanism, the other with T7 motorizable.

Rating plug

Available on the electronic trip units which can be mounted on T7, the rating plug must be applied on the front of the trip unit itself and provides information about the current sensor settings. It is therefore no longer necessary to change the circuit breaker current sensors, but is sufficient just to replace the rating plug to obtain modification of the rated current of the circuit breaker.

Type of circuit breaker	Rated current Iu	In (A)				
		400	600	800	1000	1200
T7	1000	■	■	■	■	
	1200	■	■	■	■	■



1SDC210038FD001



1SDC210037FD001

EP010 - FBP

It is the “E-plug” interface which can connect T4, T5 and T6, equipped with the PR222DS/PD-A electronic trip unit, to the field bus plug system, allowing user to choose among several field bus system (ASI, Device Net, Profibus). This must be connected to the PR222DS/PD-A trip unit by means of the specific X3 connector. It can be used with T7 with PR332/P electronic trip unit equipped with PR330/D-M communication module.

When using EP010 for profibus, the PDP22 Fieldbus Plug must be used. The PDP21 Fieldbus Plug cannot be used with EP010.

SACE PR021/K signalling unit

The SACE PR021/K signalling unit can convert the digital signals supplied by the PR222DS/PD-A (LSI or LSIG), PR331 and PR332 trip unit into electrical signals with normally open electrical contacts.

The unit is connected to the protection trip unit by means of the Modbus RTU standard serial change-over line, on which all the information about the activation status of the protection functions flows. The corresponding electrical contacts are closed based on these information.

In particular, the following signals are available:

- the alarm signal remains active throughout the overload, until the trip unit is tripped
- the trip signals of the protections remain active during the timing phase, and even after the trip unit is tripped.

A reset pushbutton allows the state of all the signals to be reset.

The unit also has ten LEDs to visually signal the following information:

- “PW/WD”: auxiliary power supply present and W.D.
- “TX/RX”: flashing synchronised with dialogue with the serial Bus and several warning indications
- eight LEDs associated with the internal contacts.

The table indicates the characteristics of the signalling relays available in the SACE PR021/K unit.

Power contacts electrical characteristics

Maximum changeover power (resistive load)	100W / 1250 VA (resistive load)
Maximum changeover voltage	130 V DC / 250 V AC
Maximum changeover current	5 A
Breaking capacity (resistive load) @ 30 V DC	3.3 A
Breaking capacity (resistive load) @ 250 V AC	5 A
Contact/coil insulation	2000 V rms (1 min @ 50 Hz)

Note: the PR021/K unit is an alternative to any supervision and control systems.

K51

1
2
3
4
5
6-7
8

PR222DS

Protection L alarm
Protection S alarm
Protection I alarm
Protection G alarm
Bus K.O.
Release trip
Protection L pre-alarm

Accessories

Accessories for electronic trip units

Current sensor for external neutral

This is applied to the external neutral conductor and allows protection G against earth faults to be carried out with external neutral three-pole circuit breakers.

The current sensor must be connected to the trip unit by means of the specific connectors X4 for T4, T5 and T6 or with a direct connection in the terminal board for T7. The combination is not possible with electronic trip unit PR221, PR231 and PR232.

T4 [A]	T5 [A]	T6 [A]	T7 [A]
100	300	600	400
150	400	800	600
250	600		800
			1000
			1200

Connectors

Connectors X3 and X4 allow connection of the electronic trip units with external plant units or components. In fact, they are used to make the L alarm signal available outside, connection of the external neutral, connection to the PR021/K signalling unit, to the PR212/CI contactor control unit or to the temperature sensor of the PTC motor and allows two-way communication from the circuit breaker fitted with dialogue towards the outside and vice versa.

Both the connectors are available both for fixed version circuit breakers and for plug-in or draw out version circuit breakers.

Connector	Function	Trip unit
X3	PR021/K	PR222DS/PD-A
	L alarm signal	PR222DS/P, PR222DS/PD-A
	Auxiliary supply	PR222DS/PD-A
	EP 010	PR222DS/PD-A
X4	External neutral	PR222DS/P, PR222DS/PD-A

Accessories for trip units

Circuit breakers	T2-T4-T5-T6			T4-T5-T6		T7	
	PR221	PR222DS/P	PR222DS/PD-A	PR231/P	PR232/P	PR331/P	PR332/P
Trip units							
Accessories							
TT1 - Test unit	■	■	■	■	■		
PR010/T - Test unit		■	■		■	■	■
PR021/K ⁽¹⁾ - Signalling unit			■			■	■
FDU ⁽²⁾ - Front display unit		■	■				
HMI030 ⁽¹⁾ - Interface on the front of switchgear			■			■	■
X3 - Connectors		■	■ ⁽³⁾				
X4 - Connectors		■	■				
X13 - Connectors SHORT/LONG		■	■			■	■
BT030 - Wireless communication unit		■	■		■	■	■
MOE-E (AUX-E included) ⁽²⁾ - Motor operator			■				
AUX-E - Auxiliary contacts			■				
EP010 ⁽¹⁾ - Field Bus plug			■				■
CT - Current transformers		■	■				
Extracode for interchangeability				■			
Rating plugs				■	■	■	■
PR030/B - Power supply unit					■	■	■
PR330/D-M - Communication module							■
PR330/V - Voltage measuring module							■
PR330/R - Actuator module							■
CT Sensor - Current sensors						■	■

⁽¹⁾ Accessories not compatible

⁽²⁾ Accessories not compatible

⁽³⁾ Compulsory

Accessories

Test and configuration accessories



1SDC21003DF0001

SACE PR010/T test and configuration unit

The SACE PR010/T unit is an instrument capable of performing the test, programming and parameter reading functions for the protection units equipping SACE Isomax S and Tmax molded case circuit breakers and SACE Emax power circuit breakers.

In particular, for Tmax T4, T5, T6 and T7 circuit breakers fitted with the different versions of trip units, the test programming and parameter reading functions are available.

All the functions mentioned can be carried out ON BOARD by connecting the SACE PR010/T unit to the front multi-pin connector on the protection units. Special interfacing cables supplied as standard with the unit guarantee the connection.

The human-machine interface is ensured by using a membrane keypad and a multi-line alphanumerical display.

There are also two LEDs on the unit which indicate, respectively:

- POWER-ON and STAND BY state
- state of the battery charge.

Two different types of test are provided: manual and automatic.

By means of connection to a computer (with the software supplied by ABB SACE), it is possible to upgrade the software of the SACE PR010/T unit to allow upgrading of the test unit as new products are developed.

Moreover the results of greatest interest regarding the test can be stored in the unit itself and sent to the PC on specific request for "issue of report".

In automatic and manual mode the SACE PR010/T unit can test:

- protection functions L, S, I, G
- monitoring correct operation of the microprocessor.

The SACE PR010/T unit is portable, operating with rechargeable batteries and/or with an external power supply.

In the standard supply, the unit includes the following:

- SACE PR010/T test unit complete with rechargeable batteries
- SACE TT1 test unit
- 100...240 V AC/12 V DC external power supply
- connection cables between the unit and the multi-pin connector on the range of trip units which equip the Tmax, SACE Isomax S and SACE Emax series
- connection cable between the unit and the PC (RS232 serial)
- power supply cable
- instruction manual and diskette with application SW
- plastic container.



1SDC21004DF0001

SACE TT1 test unit

This allows tripping of all the electronic trip units which equip the Tmax family of circuit breakers in the various versions (except for PR33x) to be checked and the trip test of the trip coil (CTC). The device, supplied with power by means of a replaceable 12 V battery, is provided with a two-pole polarised connector housed at the back of the box which allows connection of the device to the test input bushings located on the front of the electronic trip unit.

The compact dimensions of the accessory make it practically pocket size.

Accessories

Automatic transfer switch - ATS010 (IEC only)



1SDC210023D0001

Automatic transfer switch – ATS010

The switching unit ATS010 (Automatic Transfer Switch) is the new network-group switching device offered by ABB. It is based on microprocessor technology in compliance with the leading electromagnetic compatibility and environmental standards (EN 50178, EN 50081-2, EN 50082-2, IEC 60068-2-1, IEC 60068-2-2, and IEC 60068-2-3).

The device is able to manage the entire switching procedure between the normal line and emergency line circuit breakers automatically. This provides great flexibility of settings. In case of an error in the normal line voltage, in accordance with the delays set, the normal line circuit breaker is opened, the generator started and the emergency line circuit breaker closed. Similarly, when the normal line returns to range, the reverse switching procedure is automatically controlled.

It is especially suited for use in all emergency power supply systems requiring a solution that is ready to install, easy to use and reliable.

Some of the main applications include: power supply for UPS (Uninterrupted Power Supply) units, operating rooms and primary hospital services, emergency power supply for civilian buildings, airports, hotels, data banks and telecommunications systems, power supply of industrial lines for continuous processes.

The switching system consists of the ATS010 unit connected to two motor-driven and mechanically interlocked circuit breakers.

The Tmax Ts3, T4, T5, T6 and T7 circuit breakers and the switch-disconnectors of the respective sizes can be used (for T3, please ask ABB).

The built-in mains sensor of the ATS010 device makes it possible to detect errors in the mains voltage. The three inputs may be directly connected to the three phases of the normal power supply line for networks with rated voltage up to 500 V AC. Networks with a higher voltage require the insertion of voltage transformers (TV), setting a rated voltage for the device that matches their secondary voltage (typically 100 V).

Two change-over contacts for each circuit breaker connect directly to the motor operator. The circuit breaker connection is completed by wiring the status contacts: Open/Closed, Relay tripped, Racked-in (for draw out/plug-in circuit breakers).

That is why on every circuit breaker connected to the ATS010 unit the following accessories are included in addition to the mechanical interlock:

- motor operator from 24 V to 110 V DC or up to 250 V AC
- key lock only against manual operation for motor operator
- open/closed contact and contact for tripped
- racked-in contact (in the case of draw out).

The ATS010 device is designed to ensure extremely high reliability for the system it controls. It contains various safety systems intrinsically related to software and hardware operation.

For software safety, a special logic prevents unwarranted operations, while a constantly operative watchdog system points out any microprocessor malfunctions via a LED on the front of the device.

Hardware safety allows integration of an electrical interlock via power relay, so that there is no need to use an external electrical interlock system. The manual selector on the front of the device can also control the entire switching procedure, even in the event of a microprocessor fault, by working electromechanically on the control relays.

General specifications

Rated supply voltage (galvanically insulated from ground)	24 V DC ± 20% - 48 V DC ±10% (maximum ripple ±5%)
Maximum absorbed power	5 W @ 24 V DC - 10 W @ 48 V DC
Rated power (mains present and circuit breakers not controlled)	1.8 W @ 24 V DC - 4.5 W @ 48 V DC
Operating temperature	-25 °C...+70 °C
Maximum humidity	90% without condensation
Storage temperature	-25 °C...+80 °C
Protection rating	IP54 (front panel)
Dimensions	[In/mm] 5.66" x 5.66" x 3.34" / 144 x 144 x 85
Weight	[lb/kg] 1.76 / 0.8

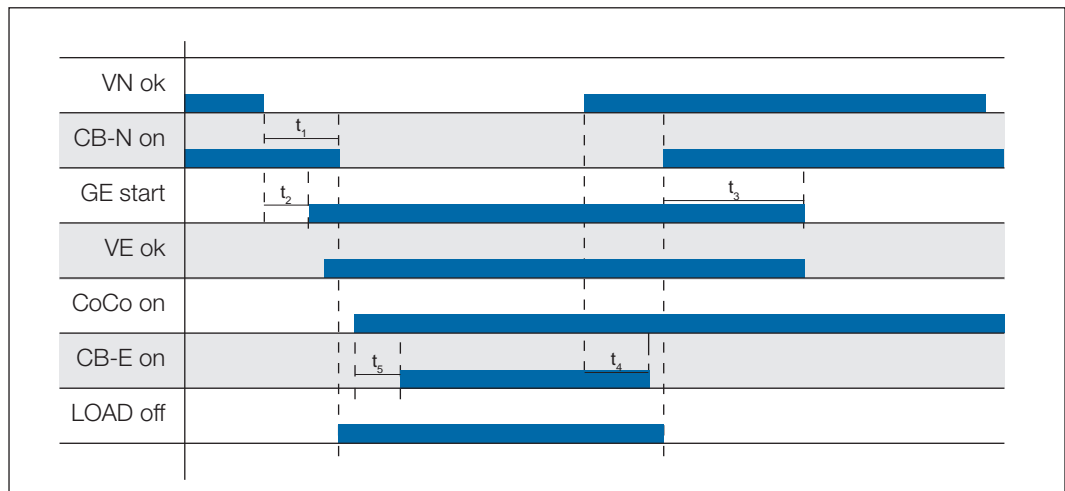
Accessories

Automatic transfer switch - ATS010 (IEC only)

Setting range for thresholds and times

Minimum voltage	Un Min	-5%...-30% Un
Maximum voltage	Un Max	+5%...+30% Un
Fixed frequency thresholds		10%...+10% fn
t_1 : opening delay of the normal line circuit breaker due to network error	(CB-N)	0...32s
t_2 : generator start-up delay due to network error		0...32s
t_3 : stopping delay of the generator		0...254s
t_4 : switching delay due to network stop		0...254s
t_5 : closing delay of the emergency line circuit breaker after detecting the generator voltage	(CB-E)	0...32s

Operating sequence



Caption

VN	Mains voltage
CB-N	Normal line circuit breaker closed
GE	Generator
VE	Emergency line voltage
CoCo	Enable switching to emergency line
CB-E	Emergency line circuit breaker closed
LOAD	Disconnection of lower priority connected loads

Side panel settings



Caption

- 1 Selectors to set the under- and over-voltage thresholds
- 2 Dip-switches to set:
 - rated voltage
 - normal single-phase or three-phase line
 - mains frequency
 - switching strategy
- 3 Switching delay time settings for T1...T5

3

Front panel



Caption

- 1 Status of the ATS010 unit and logic
- 2 Operating mode selector
- 3 Normal line check
- 4 Normal line circuit breaker status
- 5 Voltage on the emergency line
- 6 Emergency line circuit breaker status
- 7 Generator status

Accessories

Installation accessories and spare parts

Bracket for fixing on DIN rail

This is applied to the fixed circuit breaker and allows installation:

- on standardized DIN EN 50022 rails (for T1, T2, T3);
- on standardized DIN EN 50023 rails (for Ts3).

The bracket for fixing on DIN rail is also available for Tmax circuit breakers combined with RC221 and RC222 residual current releases or with the solenoid operator of the side-by-side type.

The fixing bracket kit for Ts3 circuit breakers also includes the front H = 1.77" (45 mm).



1SDC210089F0001



1SDC210089F0001



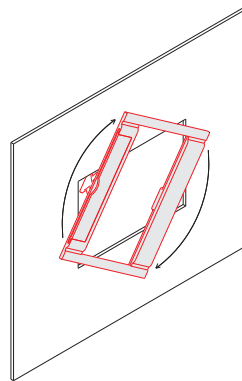
1SDC210088F0001

Flange for compartment door

For Ts3 circuit breakers it is possible to use the same flange (to be ordered), which can be used with the circuit breaker (to be ordered separately), with the rotary handle operating mechanism, front for lever operating mechanism and motor operator.

All the flanges for T1, T2, T3, T4, T5, T6, T7 are of new design and do not require the use of screws for installation: fixing is greatly simplified by just a simple coupling operation. The flange for compartment door for T1, T2, T3, T4, T5, T6, T7 is always supplied with the circuit breakers. When a rotary handle operating mechanism or residual current releases is used, a dedicated flange is supplied to be used instead of the one supplied with the circuit breaker.

For T4, T5, T6 and T7 draw out circuit breakers, the flange supplied with fixed part must be used instead of the one supplied with the fixed circuit breaker.



1SDC210010F0001

Spare parts

A wide range of spare parts is available for the Tmax family of circuit breakers. For further details about the complete range of spare parts available, please ask for the "Spare Parts Catalogue".

Accessories

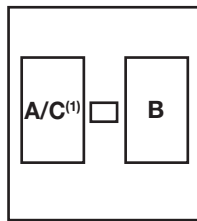
Compatibility of internal accessories

Compatibility

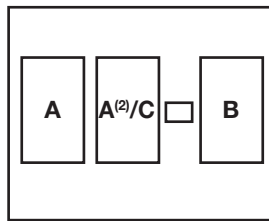
An overview of the assembly compatibility of (internal) accessories with the Tmax Series circuit breakers can be found in this section.

Possible combination of internal accessories

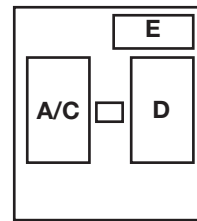
The drawing represents the internal slot of the circuit breakers. A, C and F are housed in the slots on the left of the operating lever, while B, D, E and G in the right one.



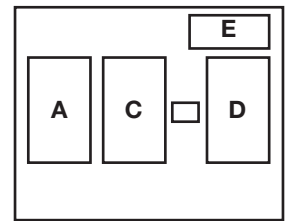
T1, T2 TMD, T3, Ts3, T4, T5, T6
3 poles



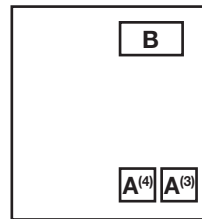
T1, T2 TMD, T3, Ts3, T4, T5, T6
4 poles



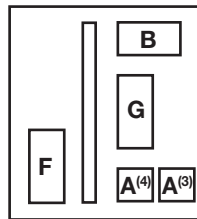
T2 PR221DS,
3 poles



T2 PR221DS,
4 poles



T7 3/4 poles



T7M 3/4 poles

⁽¹⁾ only for T1-T2-T3

⁽²⁾ only SOR for T4-T5-T6. If use SOR-C order also the 3 way connector for second SOR-C 1SDA055273R1

⁽³⁾ position for assembly of the SOR

⁽⁴⁾ position for assembly of the UVR

- A = Shunt trip (SOR) or Undervoltage release (UVR)
- B = Auxiliary contacts
- C = Trip coil of the residual current
- D = Trip coil of the electronic trip unit PR221DS
- E = Auxiliary contacts for T2 with electronic trip unit PR221DS
- F = Spring charging motor
- G = Closing coil (SCR)



Characteristic curves and technical information

Index

Characteristic curves

Examples of curve readout.....4/2

Trip curves for power distribution

Circuit breakers with thermal magnetic trip units.....4/3

Circuit breakers with electronic trip units.....4/7

Trip curves for motor protection (MCP)

Circuit breakers with magnetic only trip units4/15

Circuit breakers with electronic trip units.....4/16

Specific let-through energy curves⁽¹⁾ (current limiting circuit breakers)

T2 H.....4/17

T4 H/V4/18

T5 400 H/V4/18

Limitation curves⁽¹⁾ (current limiting circuit breakers)

T2 H.....4/20

T4 H/V4/21

T5 400 H/V4/21

Technical information

Temperature performances

Circuit breakers with electronic trip unit.....4/23

Circuit breakers with thermal magnetic trip units.....4/24

Power losses4/26

⁽¹⁾ For T1 1p and T2 with PR221DS, please ask ABB SACE directly.

Examples of curve readout

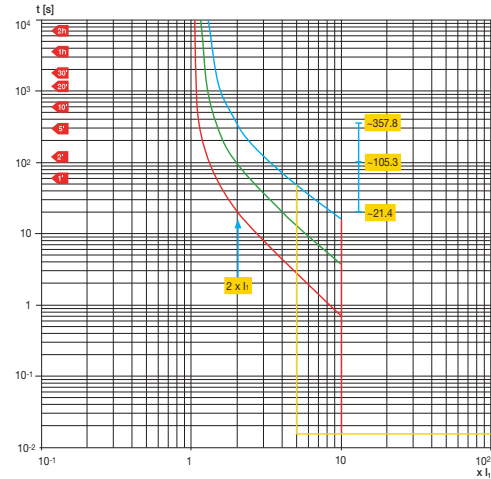
Example 1 - T4N 250 A

Trip curves for power distribution (thermal magnetic trip unit)

Considering a T4N 250 $I_n = 250$ A circuit breaker. By means of the thermal adjustment trimmer, the current threshold I_1 is selected, for example at $0.9 \times I_n$ (225 A); the magnetic trip threshold I_3 , adjustable from 5 to $10 \times I_n$, we select at $10 \times I_n$, equal to 2500 A.

It can be noted that, on the basis of the conditions in which the overload is presented, i.e. with the circuit breaker at thermal running or not, the thermal relay trip varies considerably. For example, for an overload current of $2 \times I_1$, the trip time is between 21.4 and 105.3 s for hot trip, and between 105.3 and 357.8 s for cold trip.

For fault current values higher than 2500 A, the circuit breaker trips instantaneously with the magnetic protection.



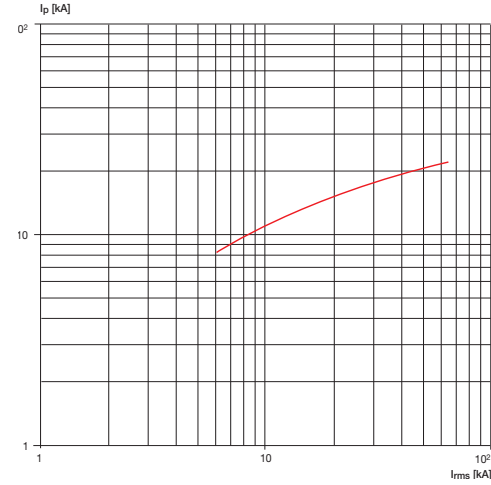
1SDC210001F0001

Example 2 - T2H 100 A

Current-limiting curves

The following figure shows the trend of Tmax T2 100 PR221 current-limiting curve at 480 V. The rms of the prospective symmetrical short circuit current is indicated on the abscissa of the diagram, whereas the peak value is on the ordinates.

For example, T2 at a voltage of 480 V limits the peak to 20 kA for a rms fault current of 40 kA.



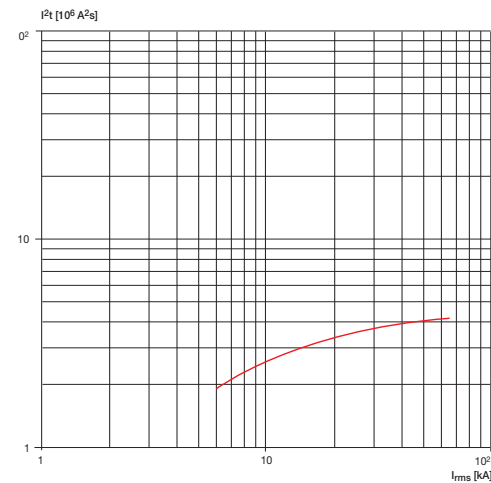
1SDC210000F0001

Example 3 - T2H 30 A

Specific let-through energy curve

The following figure shows the trend of Tmax T2 TM 30 A let-through energy at 480 V. The rms of the prospective symmetrical short circuit current is indicated on the abscissa of the diagram, whereas the ordinates show the specific let-through energy.

For example, T2 at a voltage of 480 V limits the I^2t to 0.4×10^6 A²s for a rms sc current of 40 kA.



1SDC210001F0001

Abbreviations used

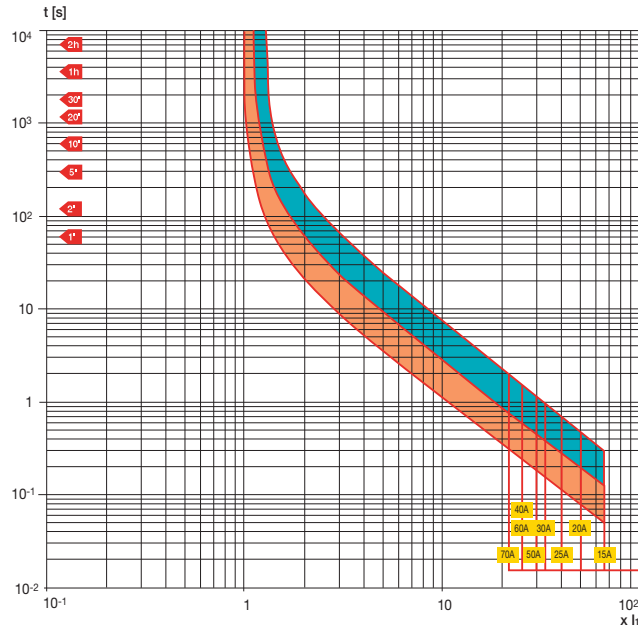
- I_n = Ampère rating of the thermal magnetic or electronic trip unit
- I_1 = Long-time pick-up setting
- I_3 = instantaneous pick up setting
- I_{rms} = prospective symmetrical short-circuit current

Trip curves for power distribution

Circuit breakers with thermal magnetic trip units

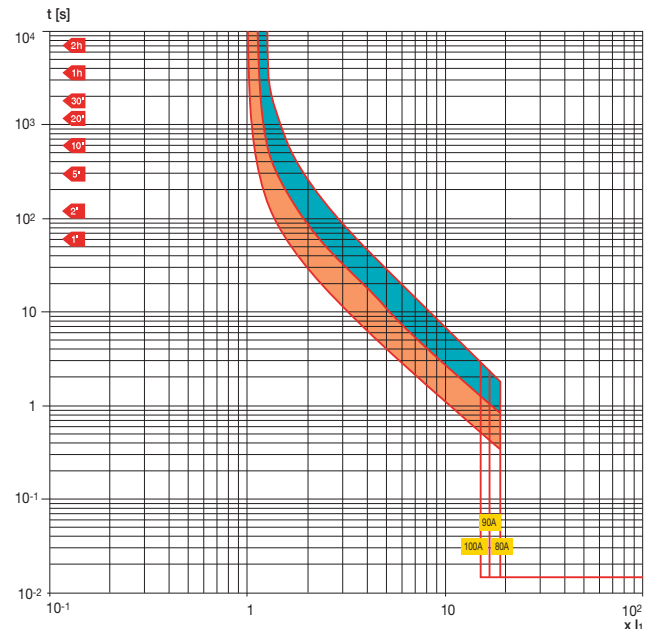
T1 100 / T1 100 1P – TMF

$I_n = 15 \div 70 \text{ A}$



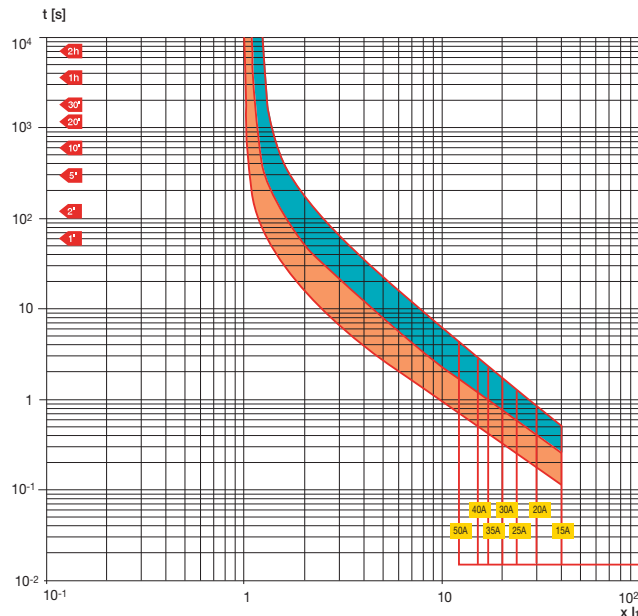
T1 100 / T1 100 1P – TMF

$I_n = 80 \div 100 \text{ A}$



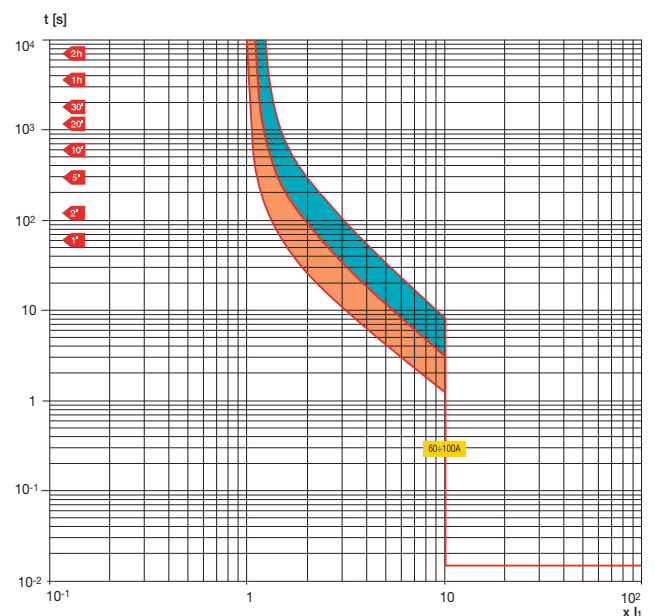
T2 100 – TMF

$I_n = 15 \div 50 \text{ A}$



T2 100 – TMF

$I_n = 60 \div 100 \text{ A}$

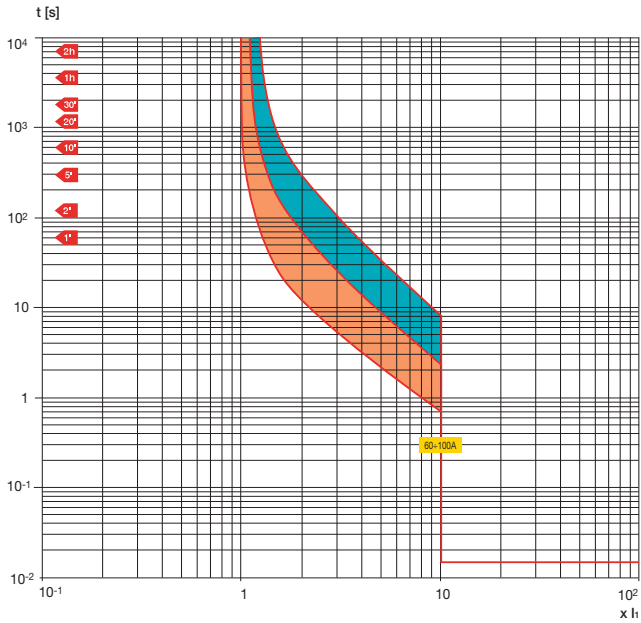


Trip curves for power distribution

Circuit breakers with thermal magnetic trip units

T3 225 – TMF

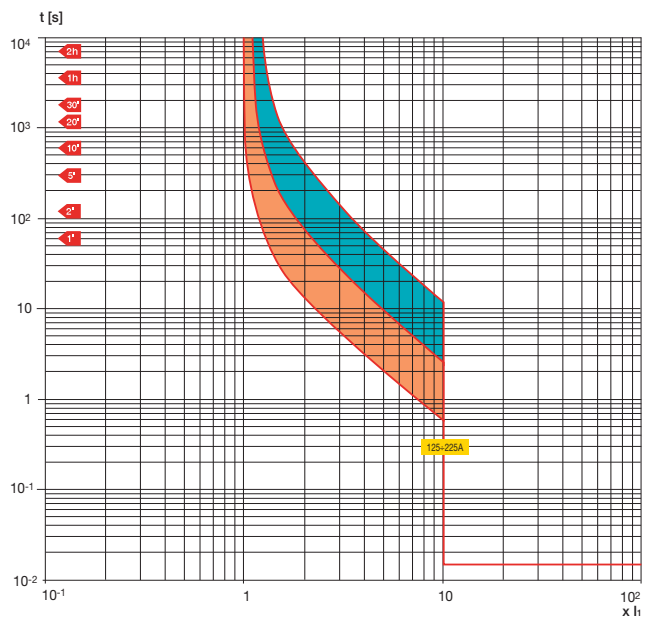
In = 60 ÷ 100 A



1SDC21006RF001

T3 225 – TMF

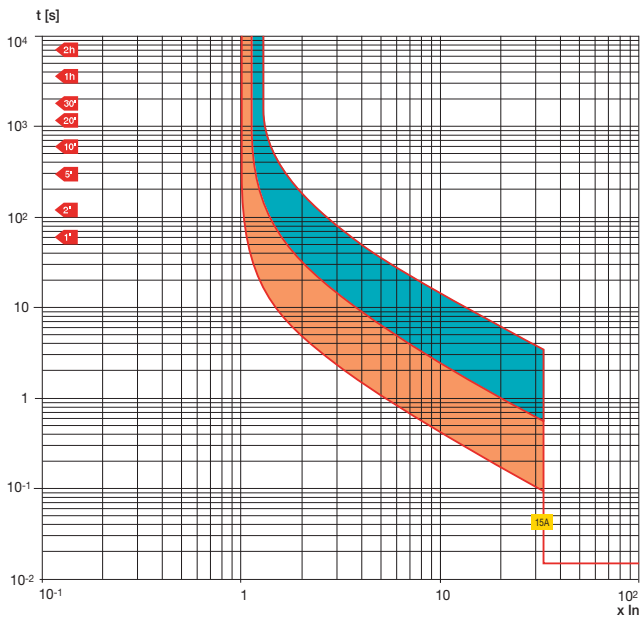
In = 125 ÷ 225 A



1SDC21006RF001

Ts3 150 – TMF

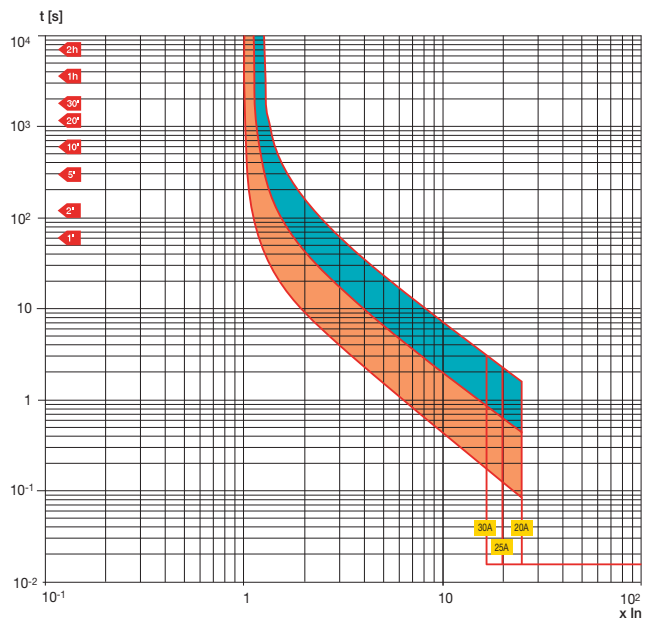
In = 15 A



1SDC21010RF001

Ts3 150 – TMF

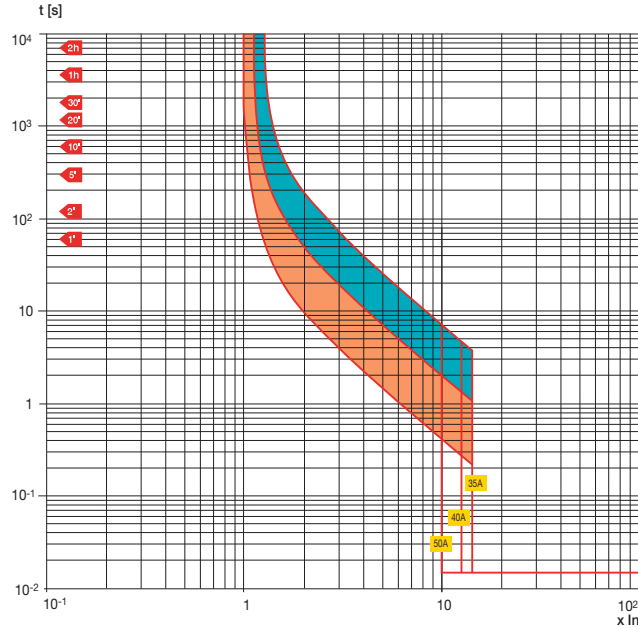
In = 20 ÷ 30 A



1SDC21010RF001

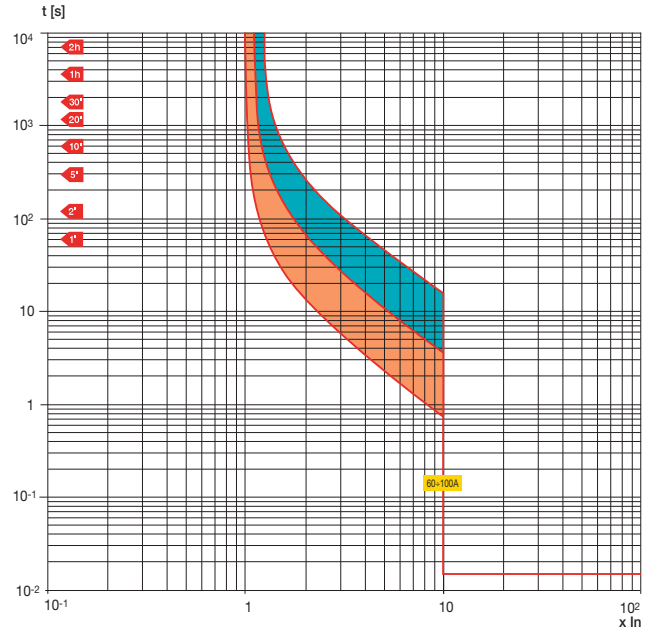
Ts3 150 – TMF

In = 35 ÷ 50 A



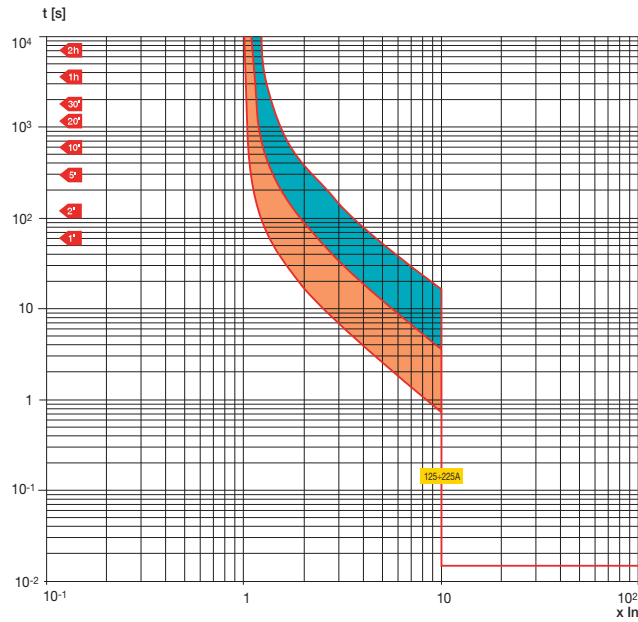
Ts3 150 – TMF

In = 60 ÷ 100 A



Ts3 150 / Ts3 225 – TMF

In = 125 ÷ 225 A

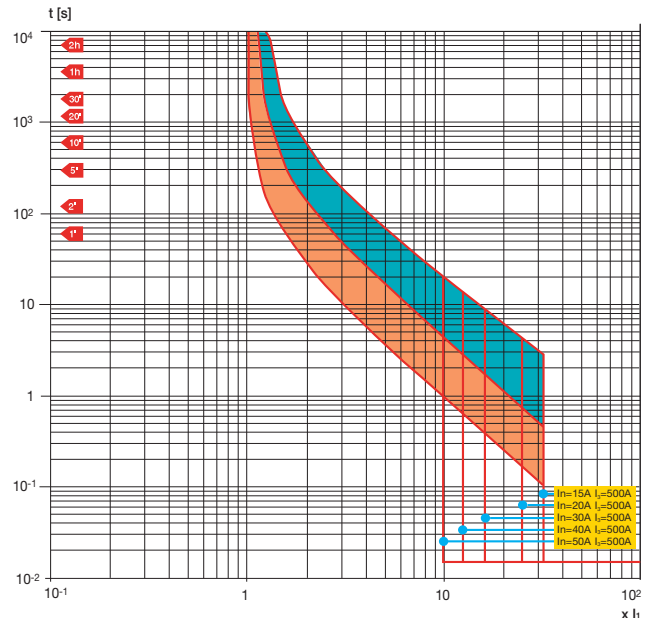


T4 250 – TMF/TMD

In = 20 ÷ 50 A

In = 15, 20 TMF

In = 30, 40, 50 TMD

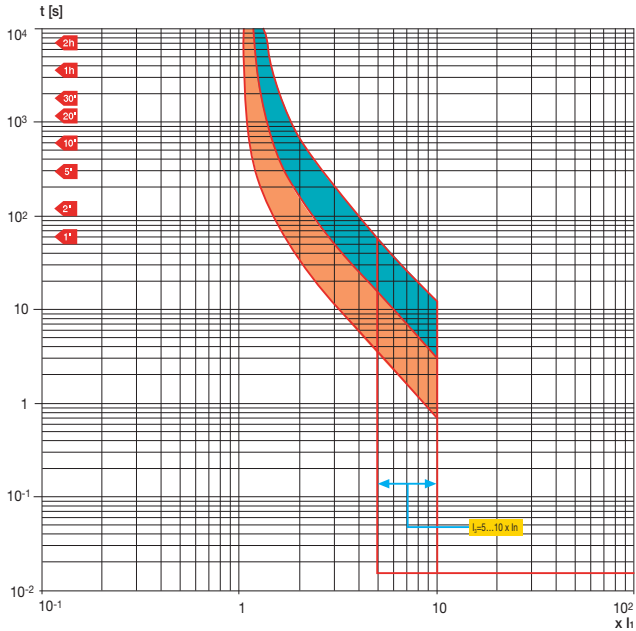


Trip curves for power distribution

Circuit breakers with thermal magnetic trip units

T4 250 – TMA

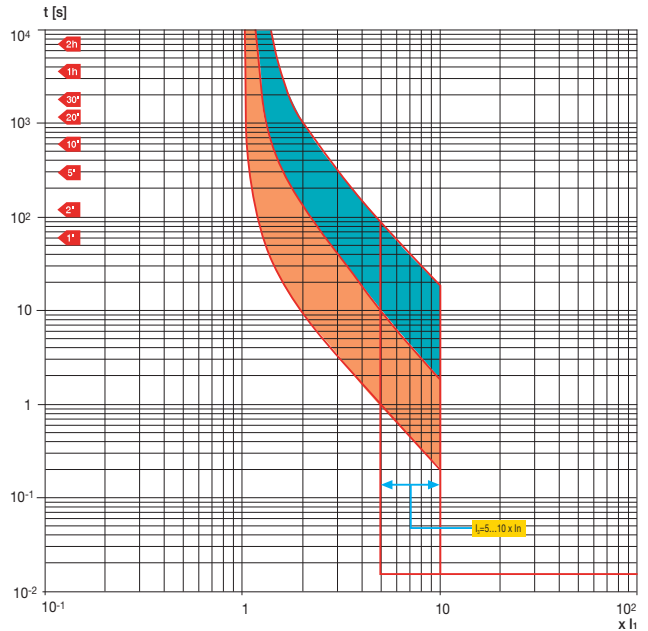
$I_n = 80 \div 250 \text{ A}$



1SDC21001R00001

T5 400 – TMA

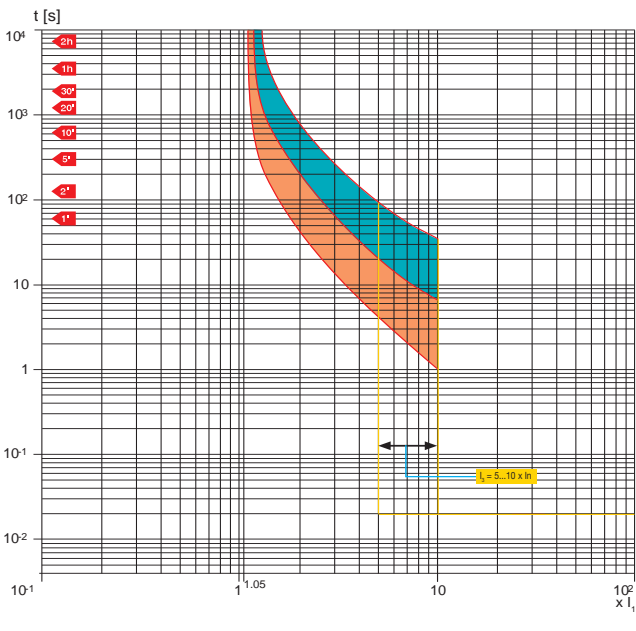
$I_n = 300, 400 \text{ A}$



1SDC21001R00001

T6 800 – TMA

$I_n = 800 \text{ A}$



1SDC21001R00001

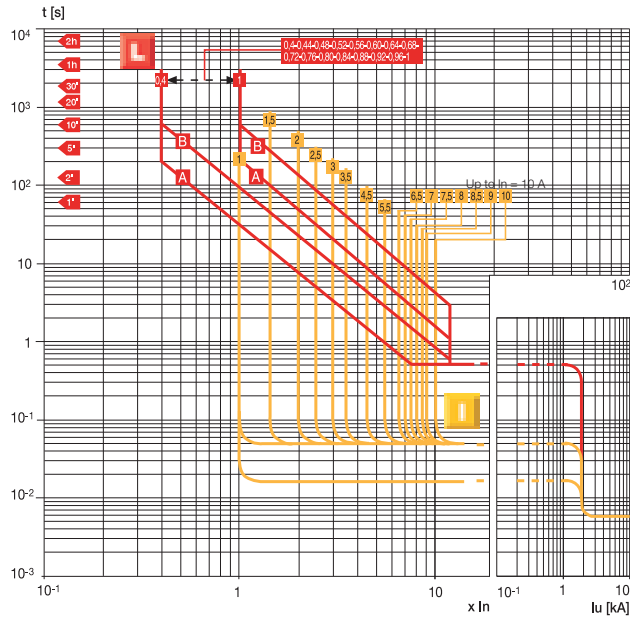
4

Trip curves for power distribution

Circuit breakers with electronic trip units

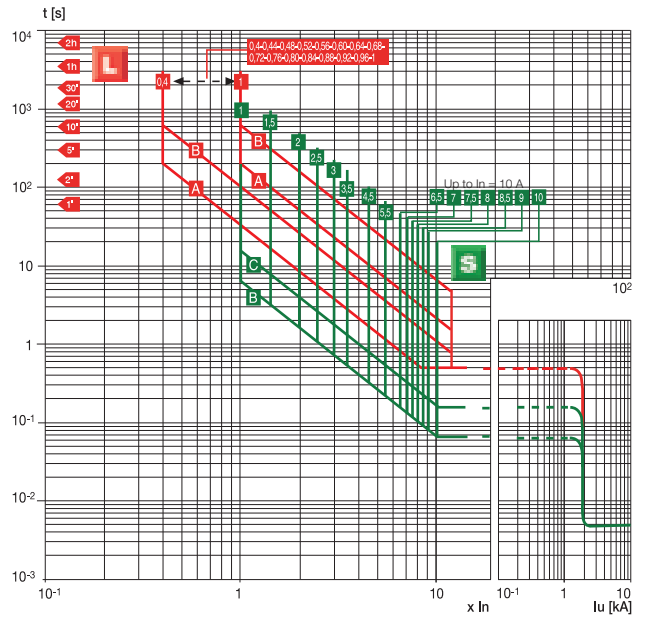
T2 100 – PR221DS-LS

L-I Functions



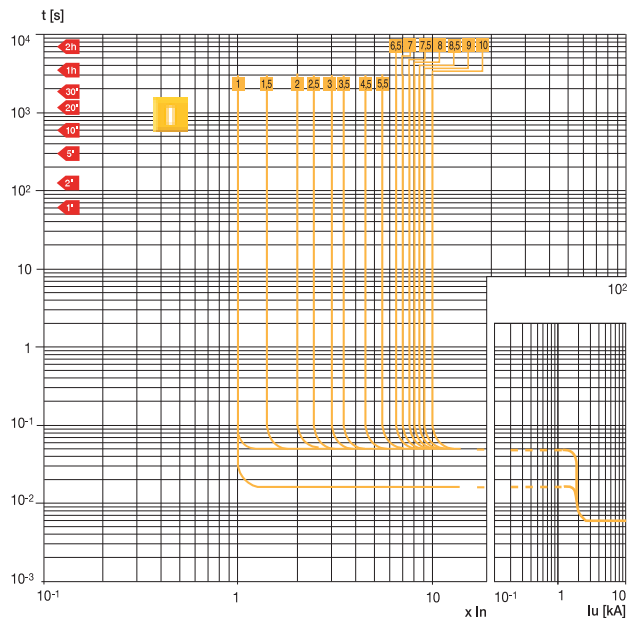
T2 100 – PR221DS-LS

L-S Functions



T2 100 – PR221DS-I

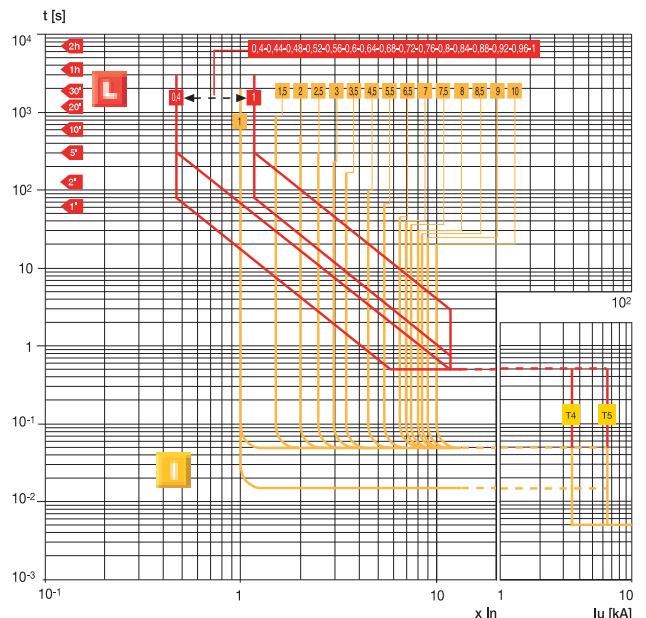
I Function



T4 250 / T5 400/600 – PR221DS

L-I Functions

Note: For T5 In = 600 A ⇒ I_{g,max} = 9.5 x In



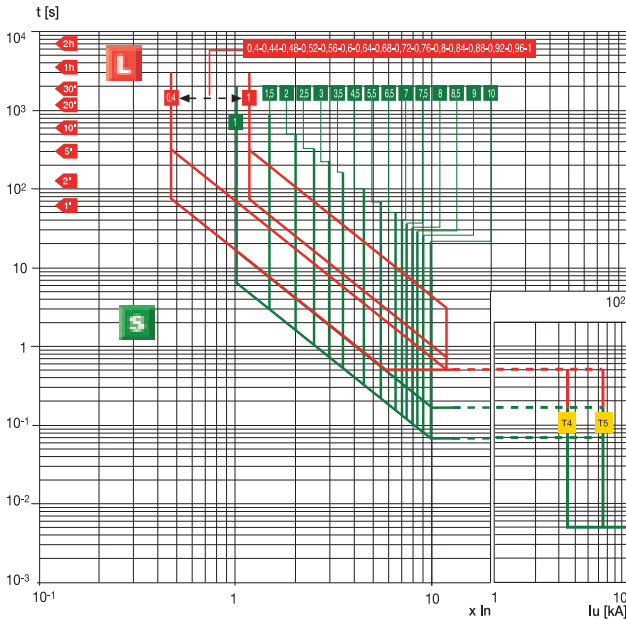
Trip curves for power distribution

Circuit breakers with electronic trip units

T4 250 / T5 400/600 – PR221DS

L-S Functions

Note: For T5 In = 600 A $\Rightarrow I_{j,max} = 9.5 \times I_n$



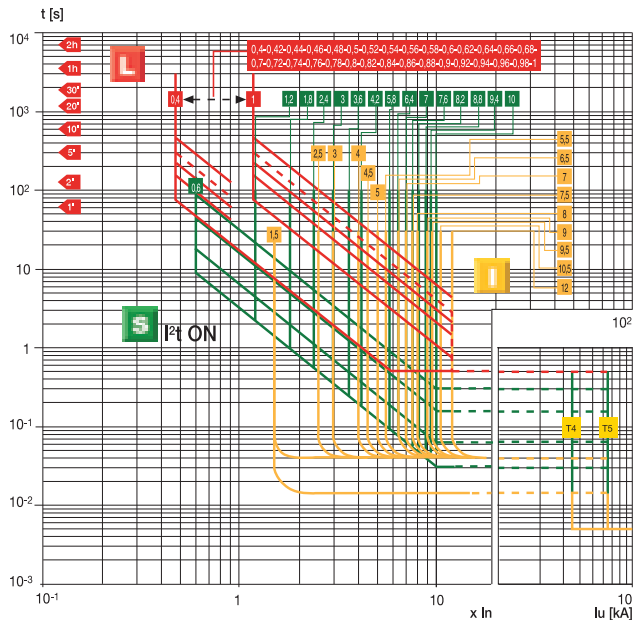
1SDC21023FD001

T4 250 / T5 400/600

PR222DS/P and PR222DS/PD-A

L-S-I Functions (I^2t const = ON)

Note: For T5 In = 600 A $\Rightarrow I_{j,max} = 9.5 \times I_n$, $I_{j,max} = 9.5 \times I_n$



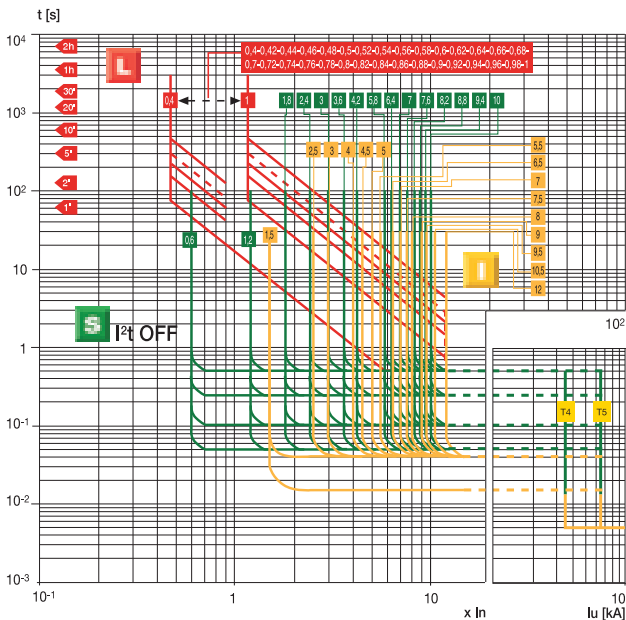
1SDC21024FD001

T4 250 / T5 400/600

PR222DS/P and PR222DS/PD-A

L-S-I Functions (I^2t const = OFF)

Note: For T5 In = 600 A $\Rightarrow I_{j,max} = 9.5 \times I_n$, $I_{j,max} = 9.5 \times I_n$

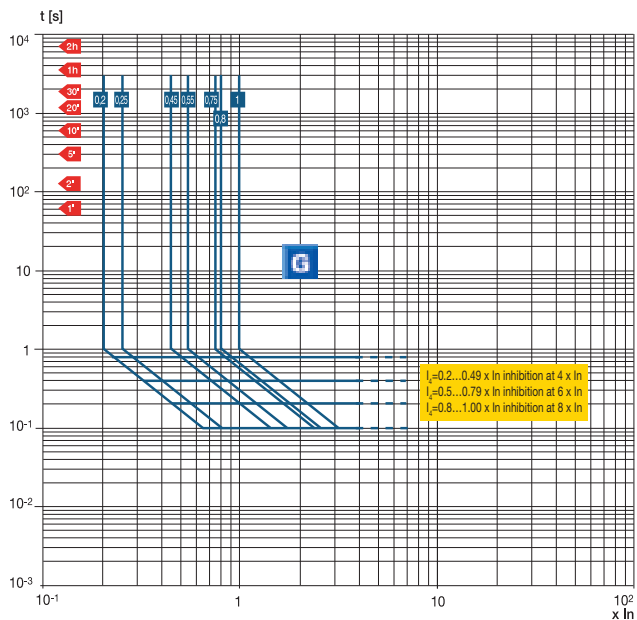


1SDC21023FD001

T4 250 / T5 400/600

PR222DS/P and PR222DS/PD-A

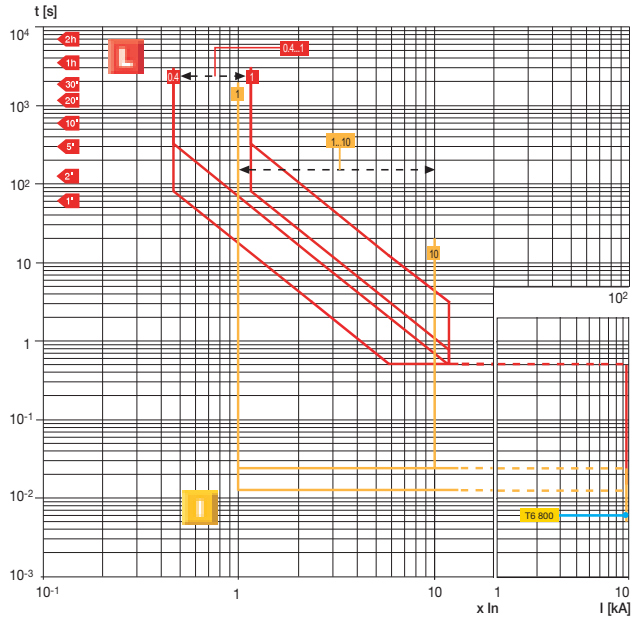
G Function



1SDC21023FD001

T6 800 – PR221DS

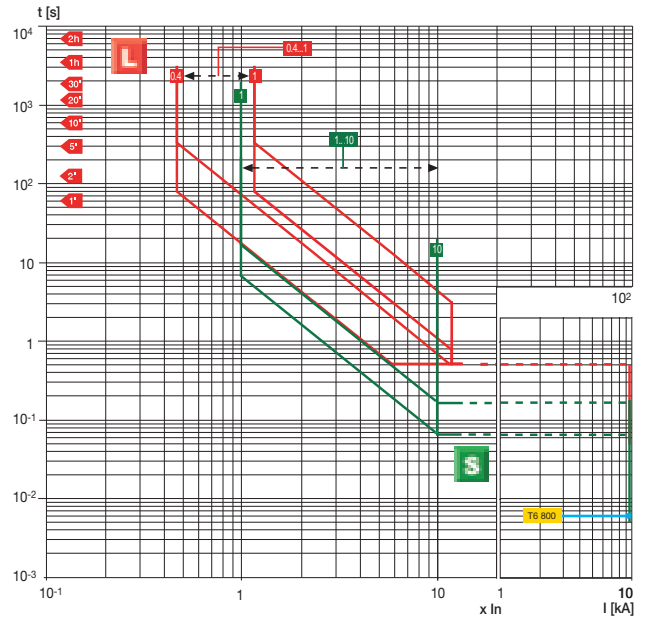
L-I Functions



1SDC210023D0201

T6 800 – PR221DS

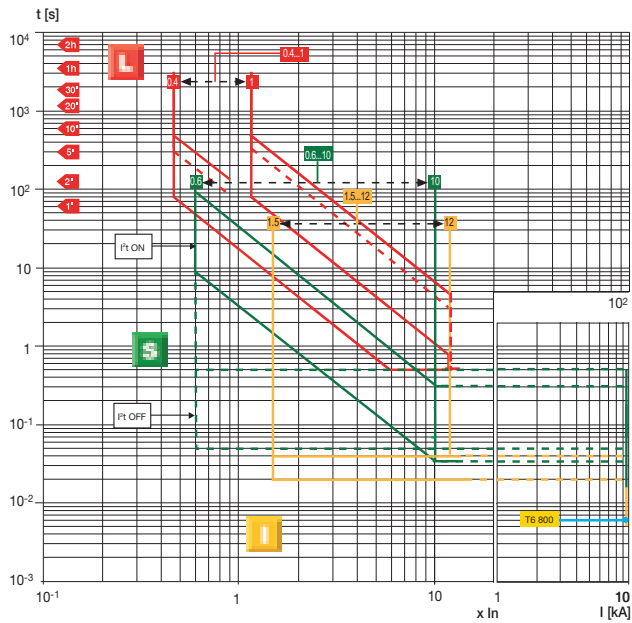
L-S Functions



1SDC210023D0201

T6 800 – PR222DS and PR222DS/PD-A

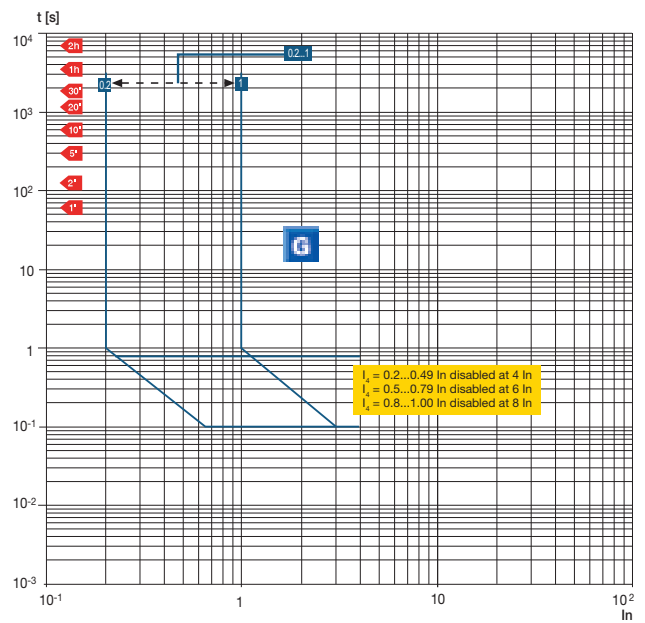
L-S-I Functions



1SDC210023D0201

T6 800 – PR222DS and PR222DS/PD-A

G Function



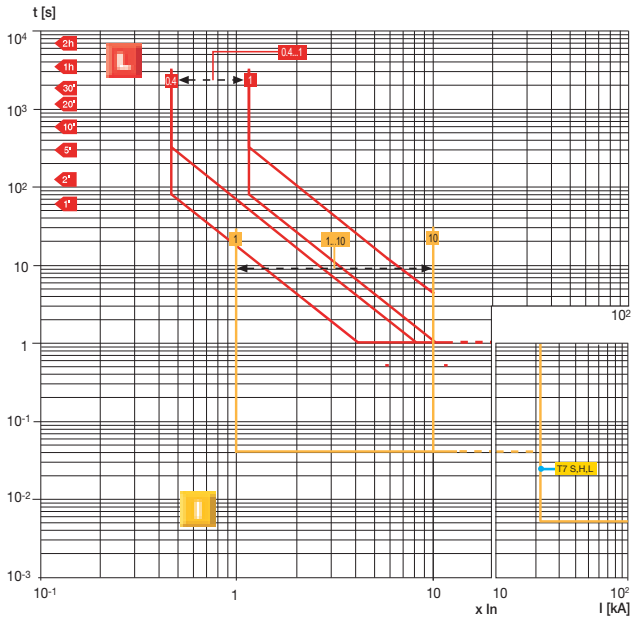
1SDC210023D0201

Trip curves for power distribution

Circuit breakers with electronic trip units

T7 1000/1200 – PR231/P

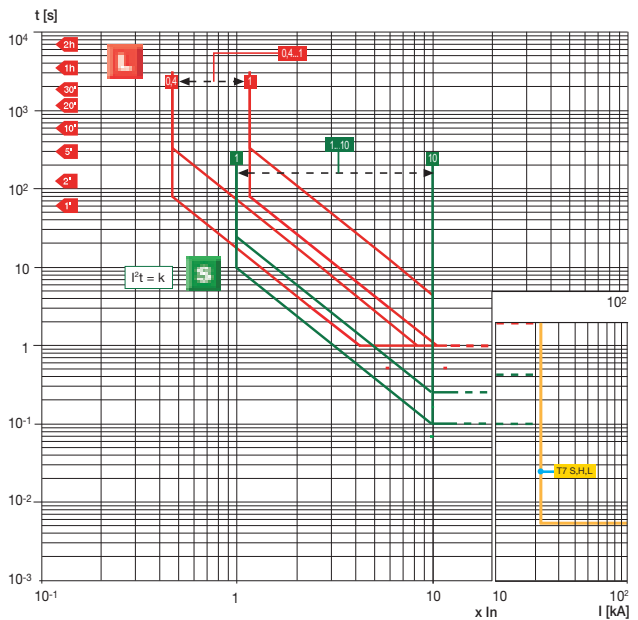
L-I Functions



1SDC210.031F0001

T7 1000/1200 – PR231/P

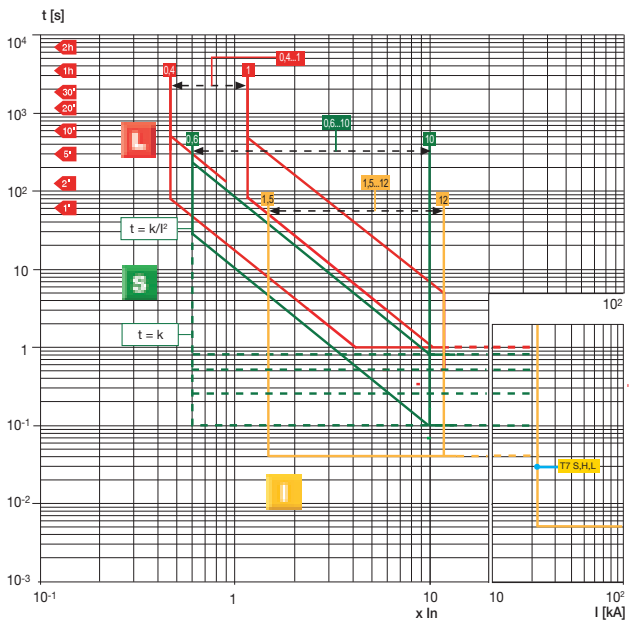
L-S Functions



1SDC210.032F0001

T7 1000/1200 – PR232/P

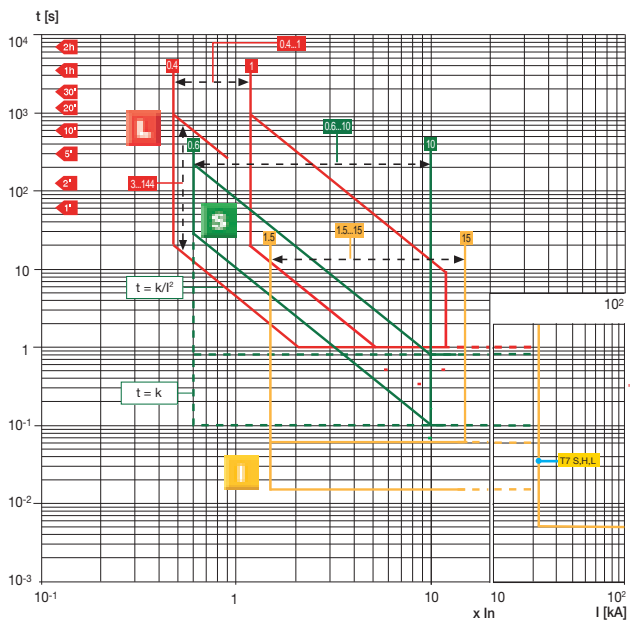
L-S-I Functions



1SDC210.033F0001

T7 1000/1200 – PR331/P

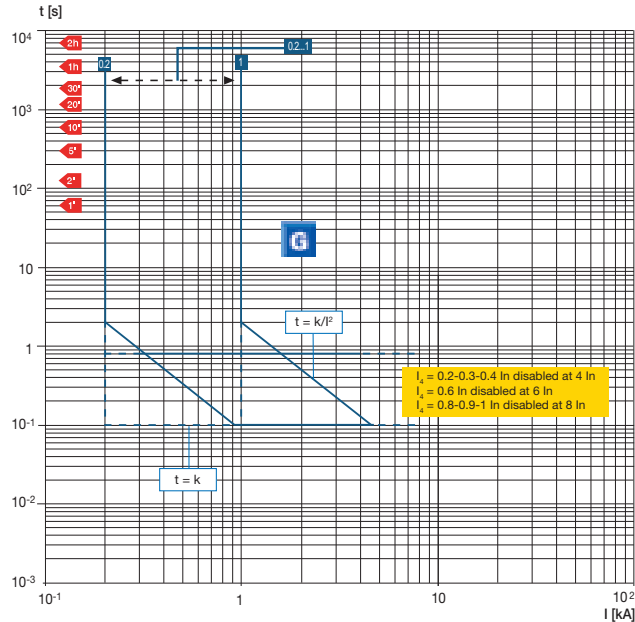
L-S-I Functions



1SDC210.034F0001

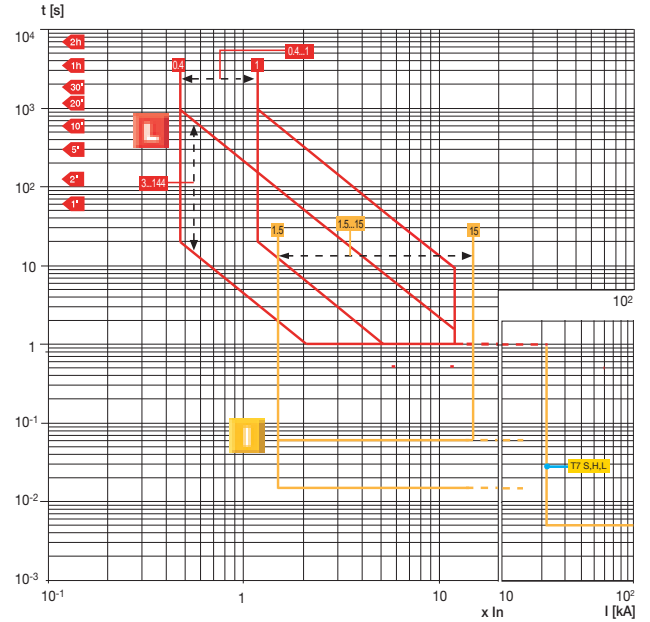
T7 1000/1200 – PR331/P

G Function



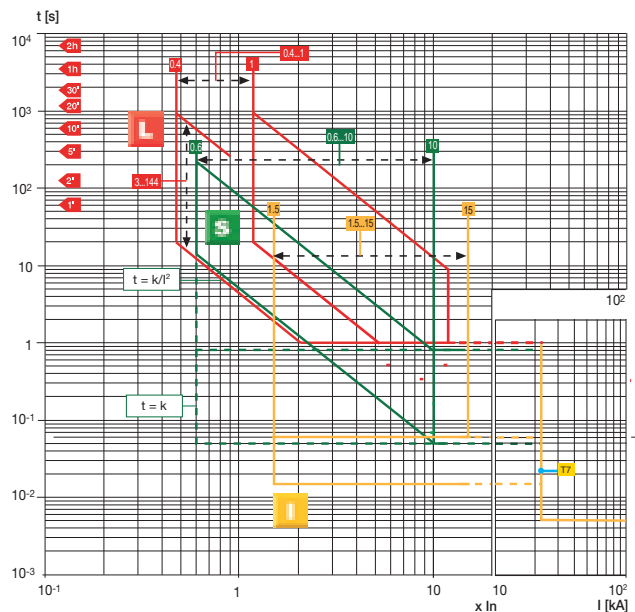
T7 1000/1200 – PR332/P

L-I Functions



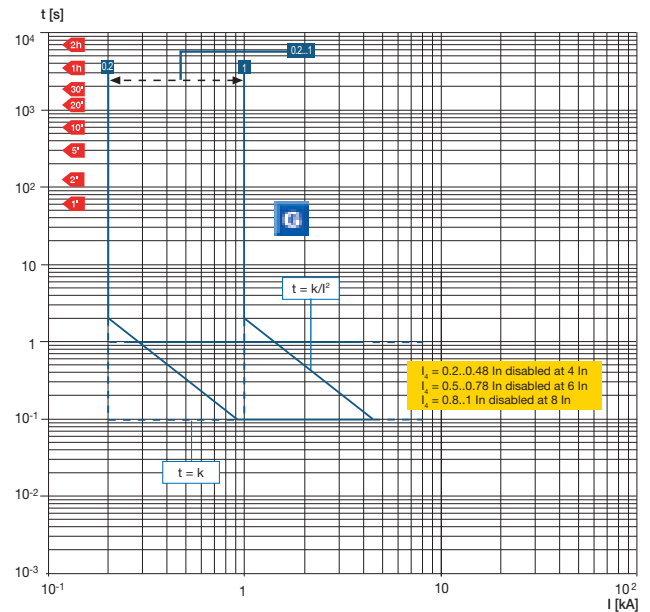
T7 1000/1200 – PR332/P

L-S-I Functions



T7 1000/1200 – PR332/P

G Function

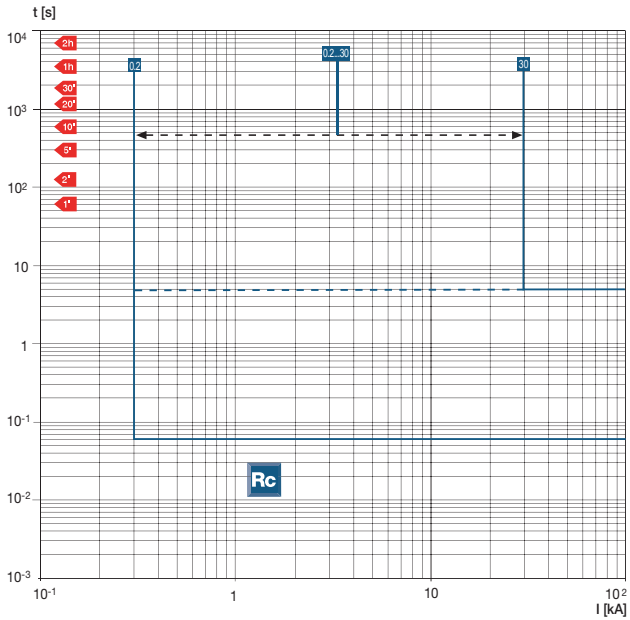


Trip curves for power distribution

Circuit breakers with electronic trip units

T7 1000/1200 – PR332/P

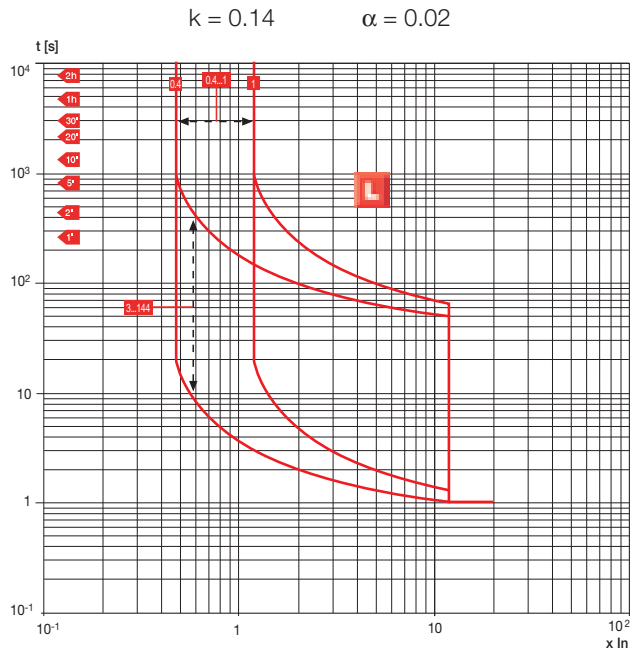
Rc Function



1SDC210U4JF0001

T7 1000/1200 – PR332/P

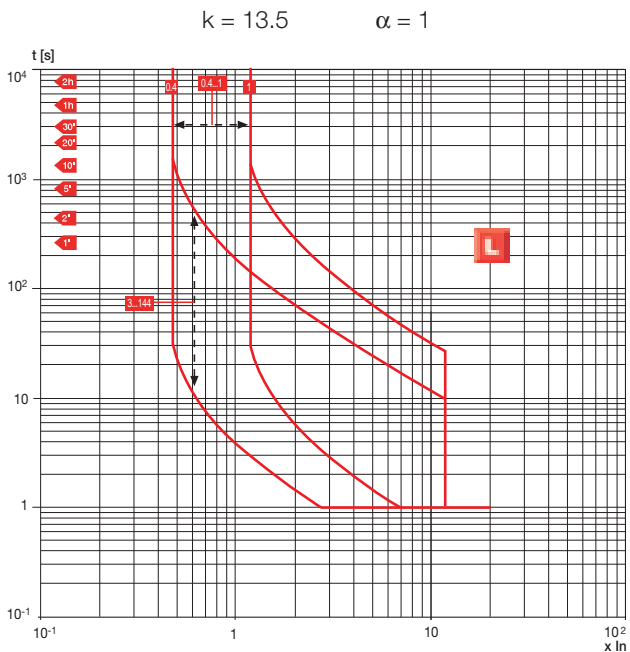
L Function



1SDC210U4JF0001

T7 1000/1200 – PR332/P

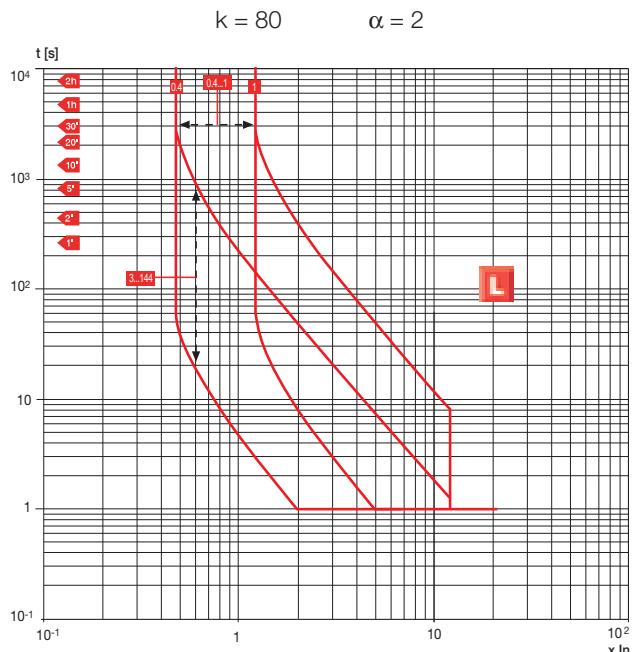
L Function



1SDC210U4JF0001

T7 1000/1200 – PR332/P

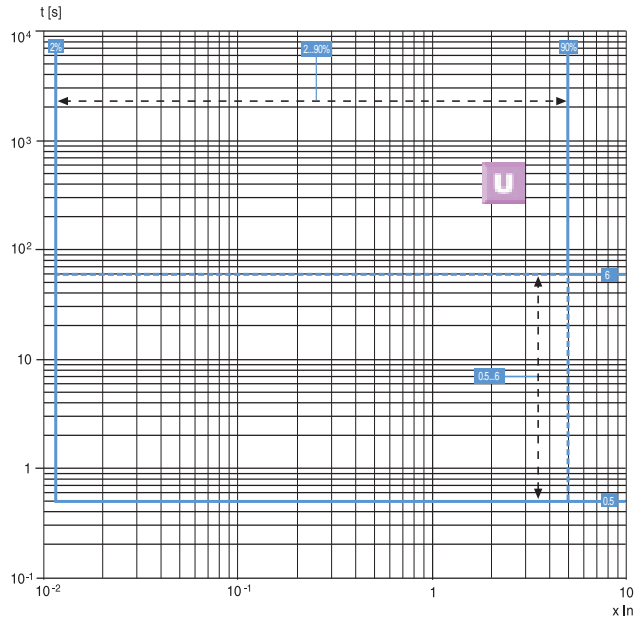
L Function



1SDC210U4JF0001

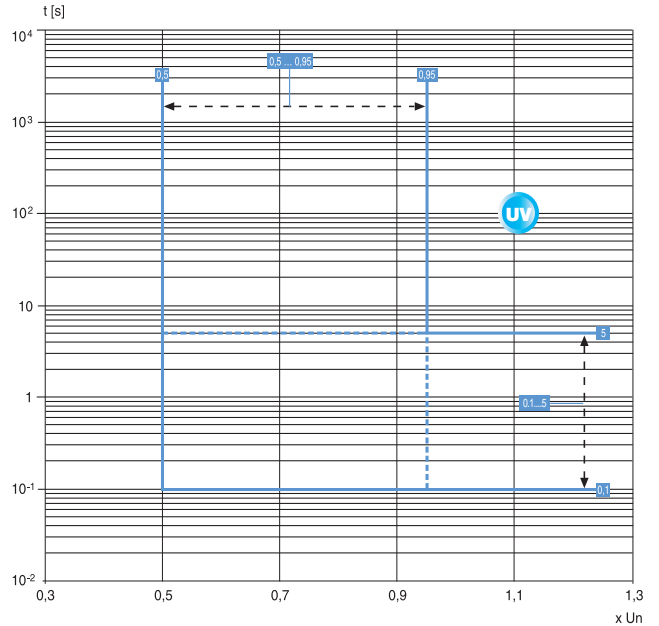
T7 1000/1200 – PR332/P

U Function



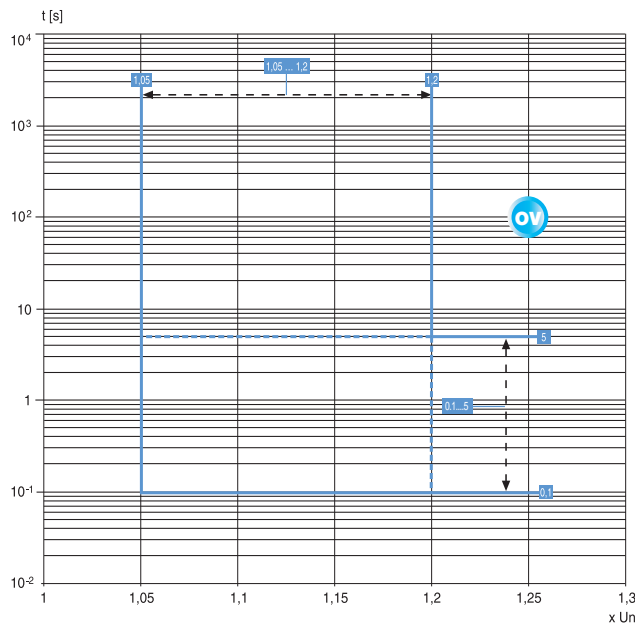
T7 1000/1200 – PR332/P with PR330/V

UV Function



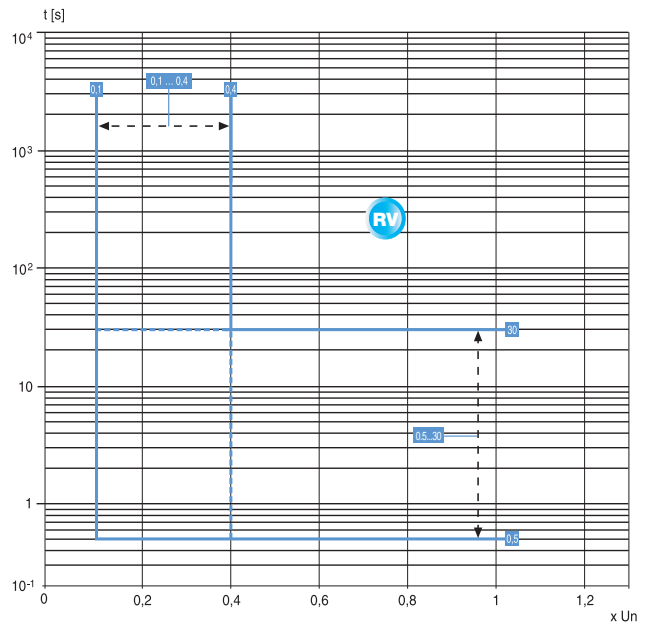
T7 1000/1200 – PR332/P with PR330/V

OV Function



T7 1000/1200 – PR332/P with PR330/V

RV Function

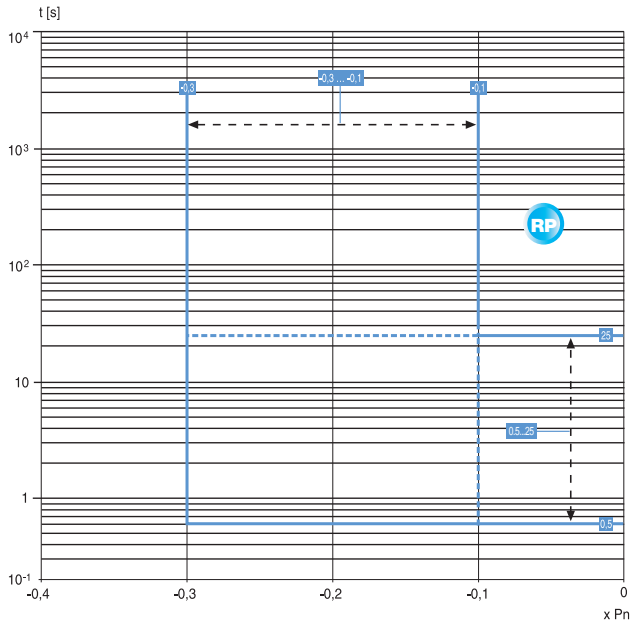


Trip curves for power distribution

Circuit breakers with electronic trip units

T7 1000/1200 – PR332/P with PR330/V

RP Function



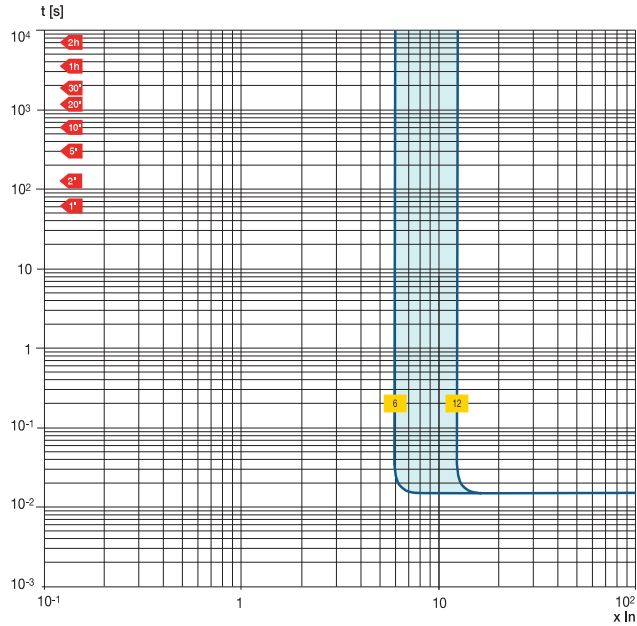
1SDC210J47F0001

Trip curves for motor protection (MCP)

Circuit breakers with magnetic only trip units

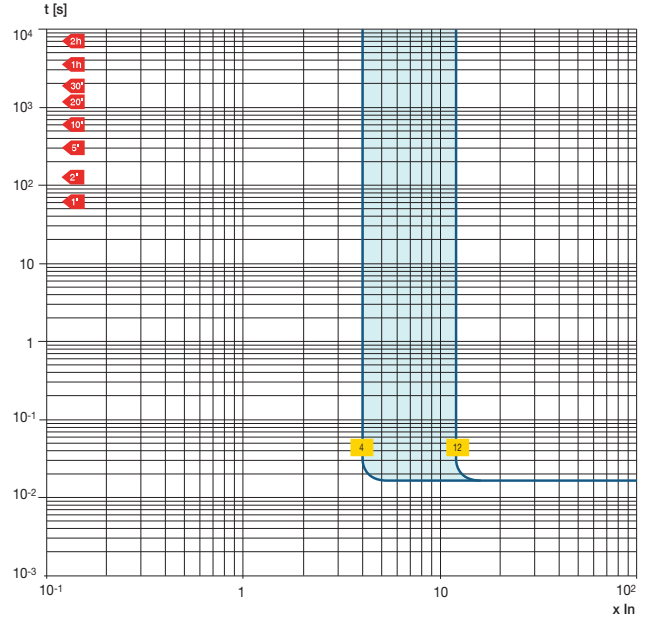
T2-T3 100 MCP

Adjustable magnetic only trip unit $I_3 = 6...12 \times I_n$



Ts3 150

Adjustable magnetic only trip unit $I_3 = 4...12 \times I_n$

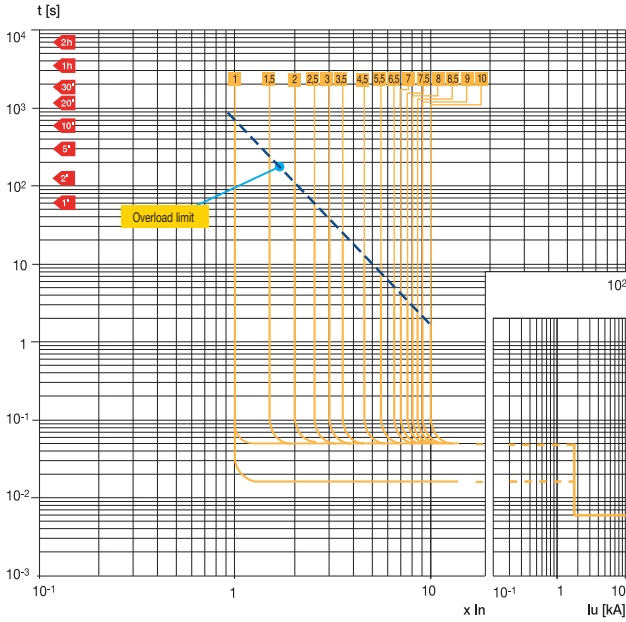


Trip curves for motor protection (MCP)

Circuit breakers with electronic trip units

T2 100 – PR221DS-I

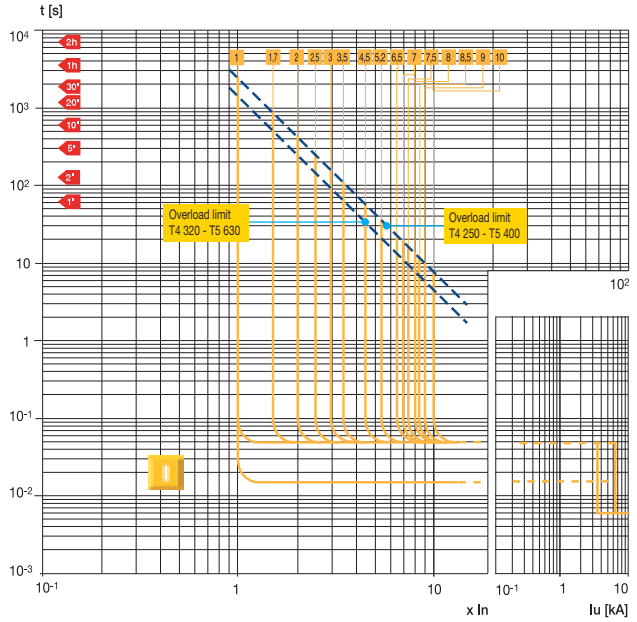
I Function



1SDC210U65F0001

T4 250 / T5 400/600 – PR221DS-I

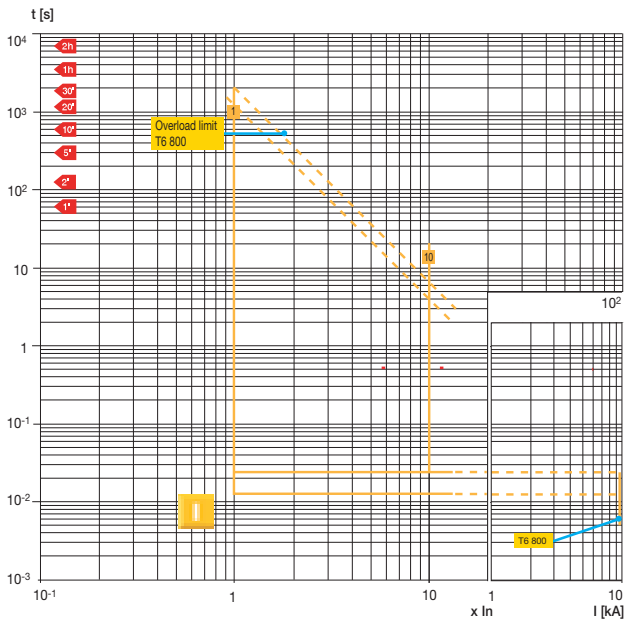
I Function



1SDC210U65TF0001

T6 800 – PR221DS-I

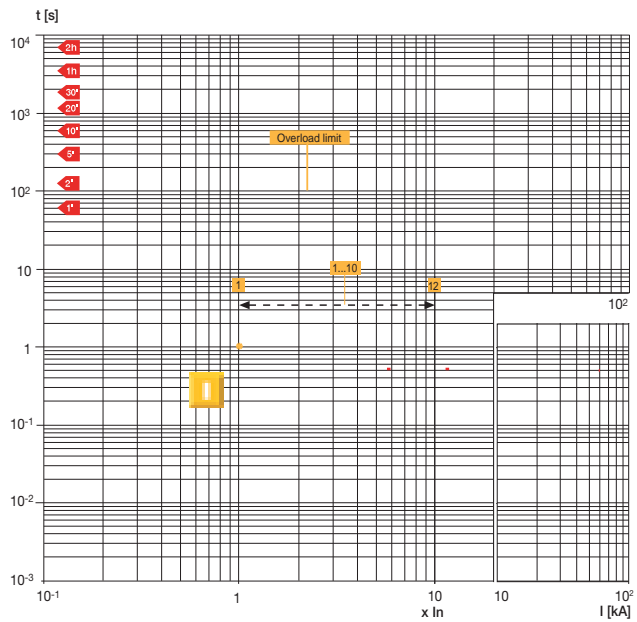
I Function



1SDC210U65F0001

T7 1000/1200 – PR231/P-I

I Function

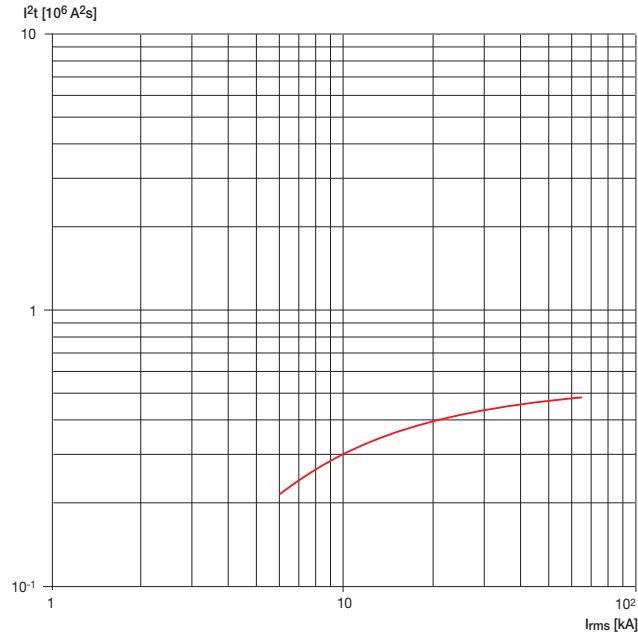


1SDC210G6F0001

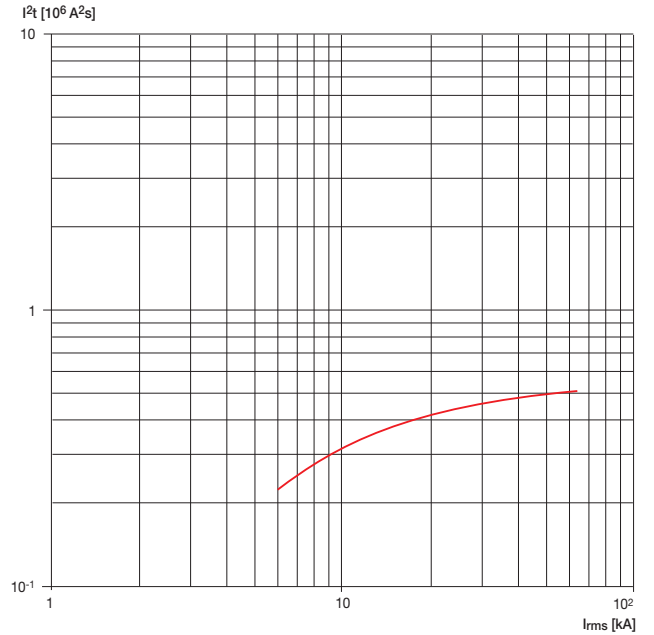
4

Specific let-through energy curves (current limiting circuit breakers)

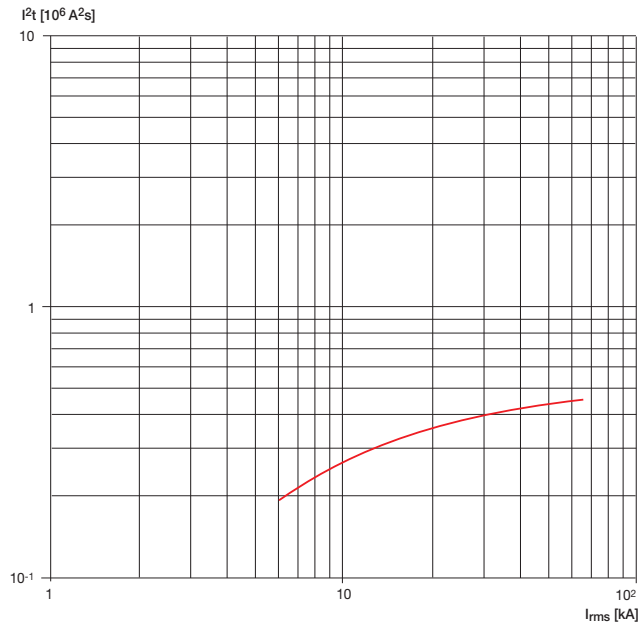
T2 H PR221 100A
480 V



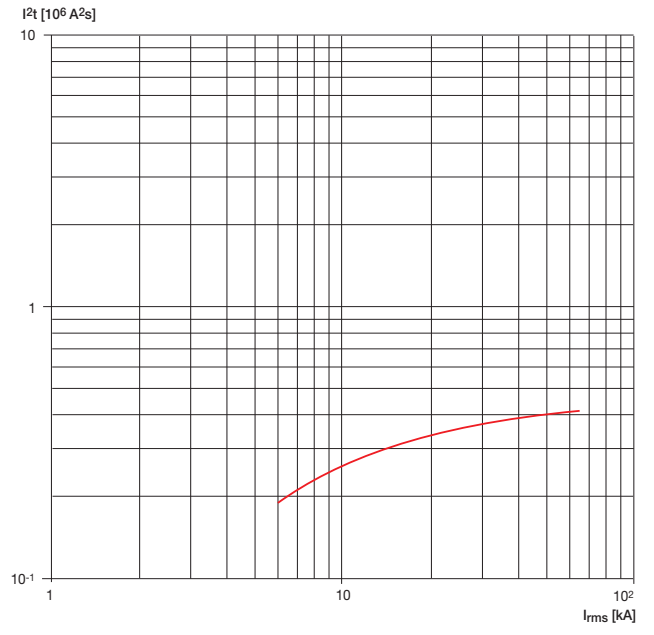
T2 H TM 100A
480 V



T2 H TM 50A
480 V



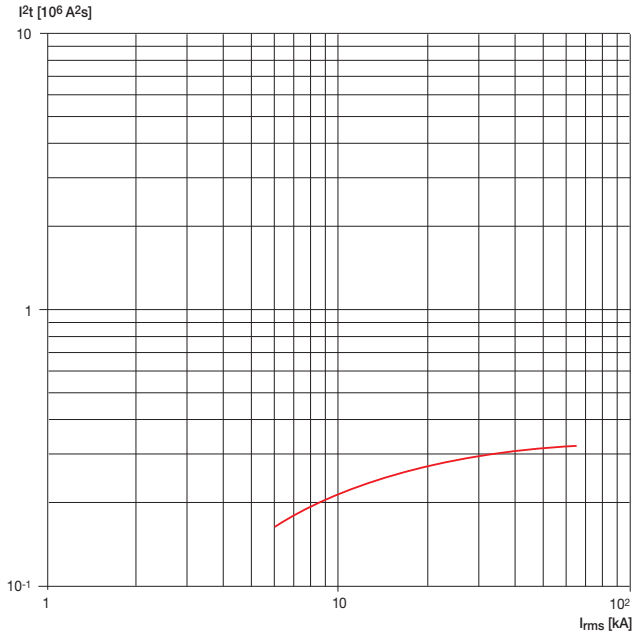
T2 H TM 30A
480 V



Specific let-through energy curves (current limiting circuit breakers)

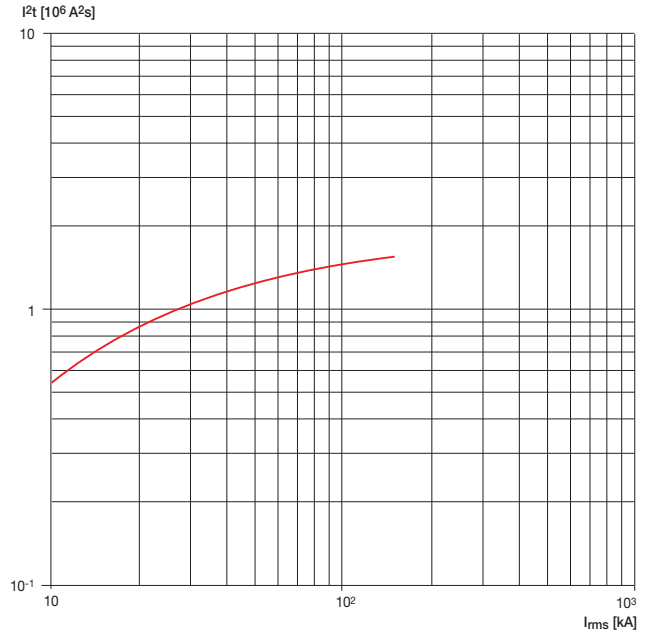
T2 H TM 15A

480 V



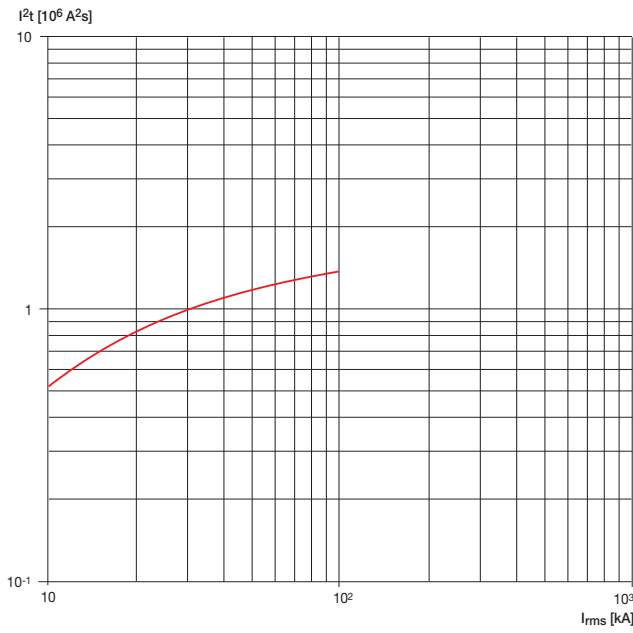
T4 H/V

480 V



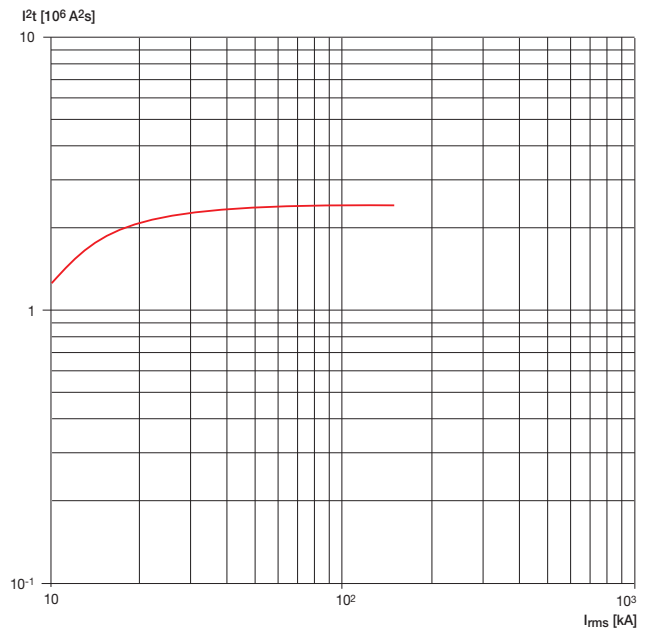
T4 H/V

600 V



T5 400 H/V

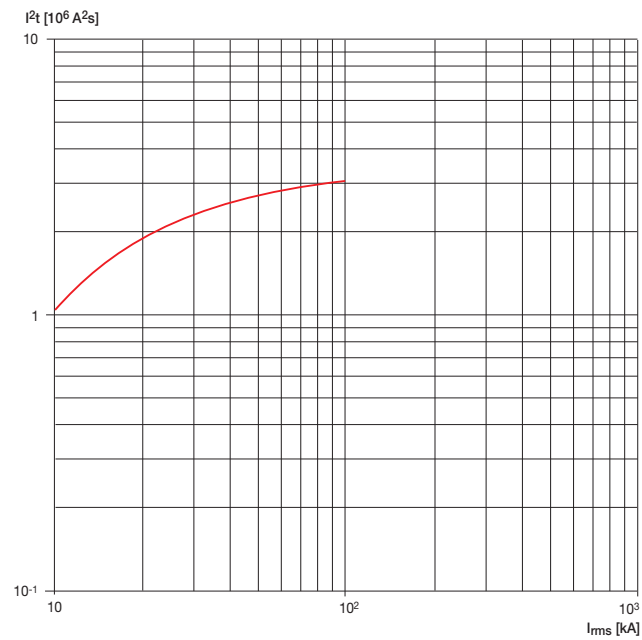
480 V



4

T5 400 H/V

600 V

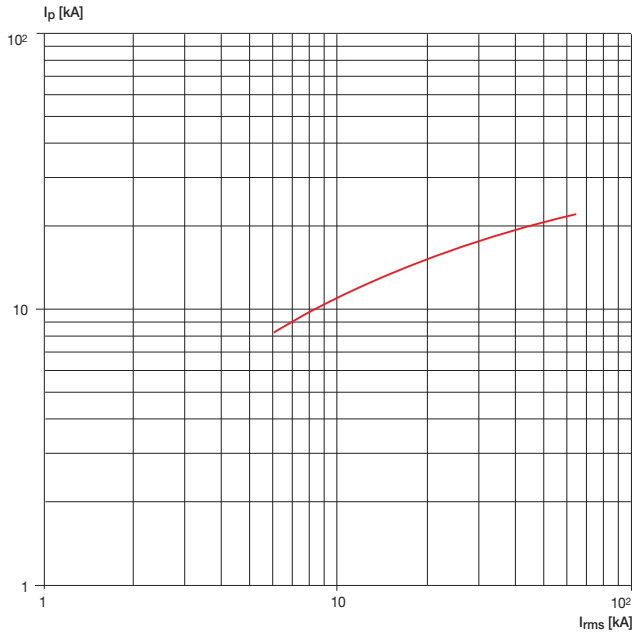


1SDC210023D0201

Limitation curves (current limiting circuit breakers)

T2 H PR221 100A

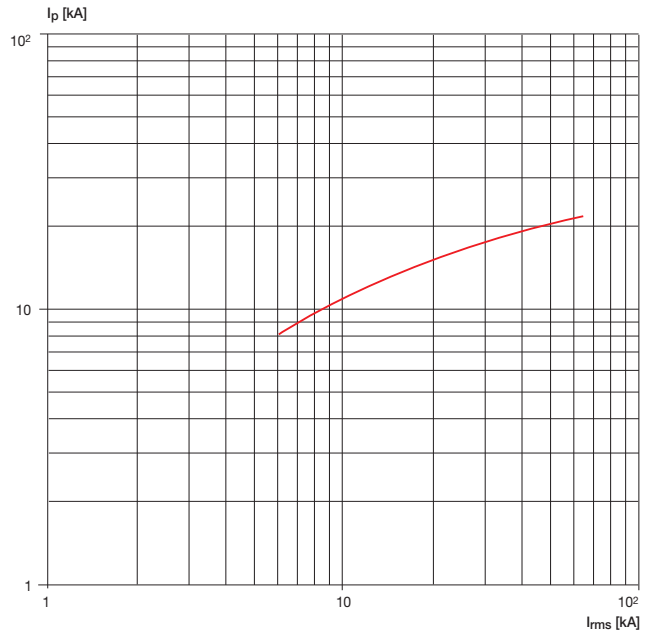
480 V



1SDC210003F0001

T2 H TM 100A

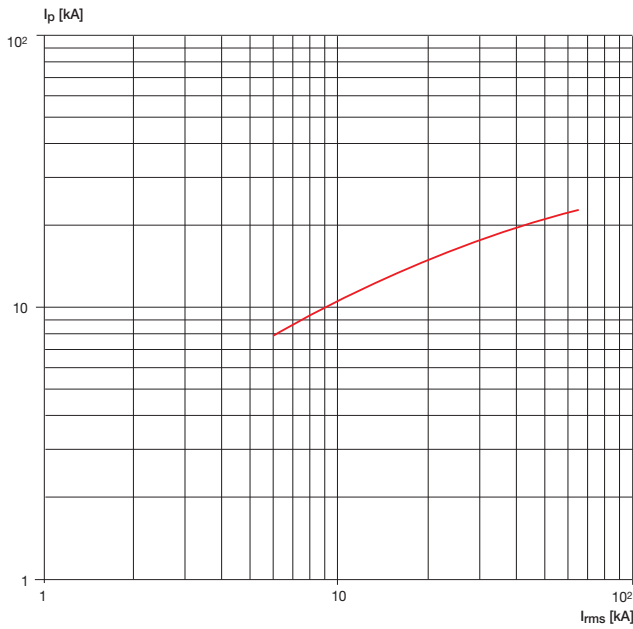
480 V



1SDC210012F0001

T2 H TM 50A

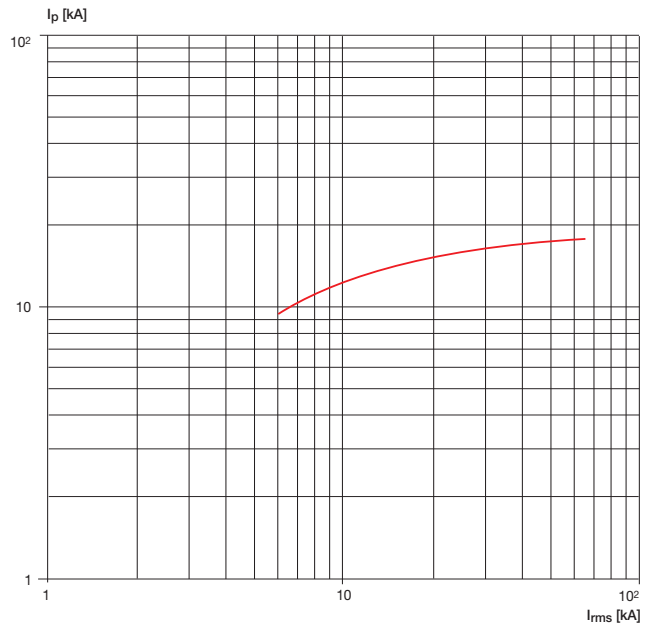
480 V



1SDC210013F0001

T2 H TM 30A

480 V

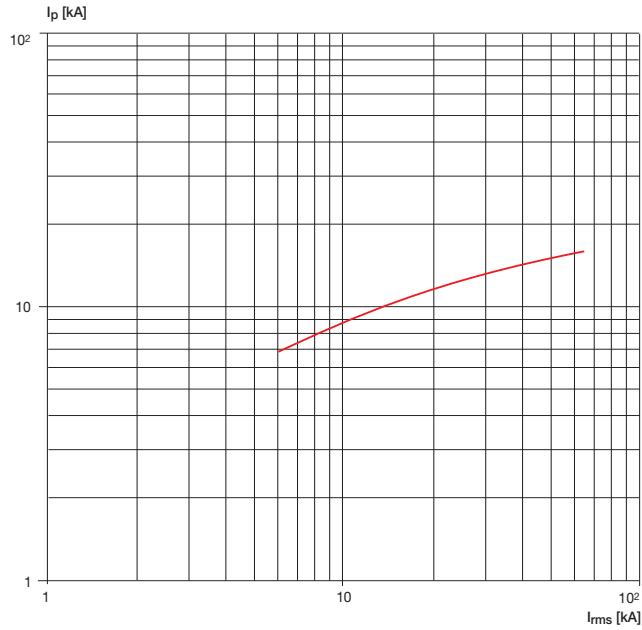


1SDC210014F0001

4

T2 H TM 15A

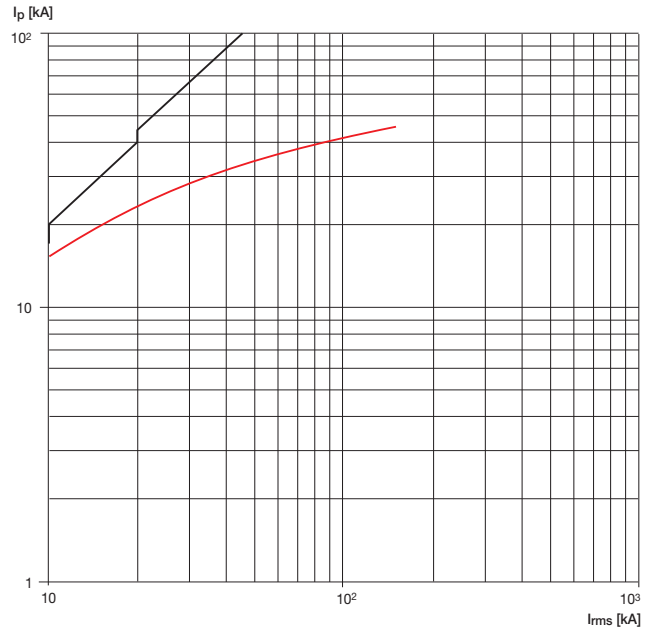
480 V



1SDC2100316F0001

T4 H/V

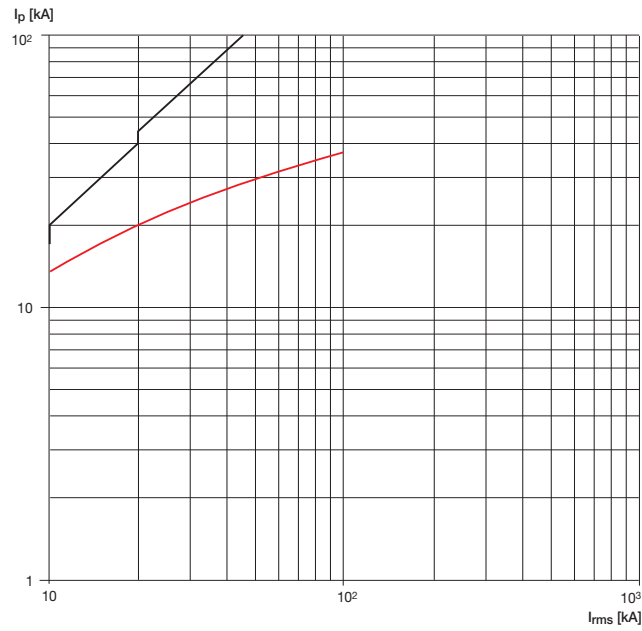
480 V



1SDC2100316F0001

T4 H/V

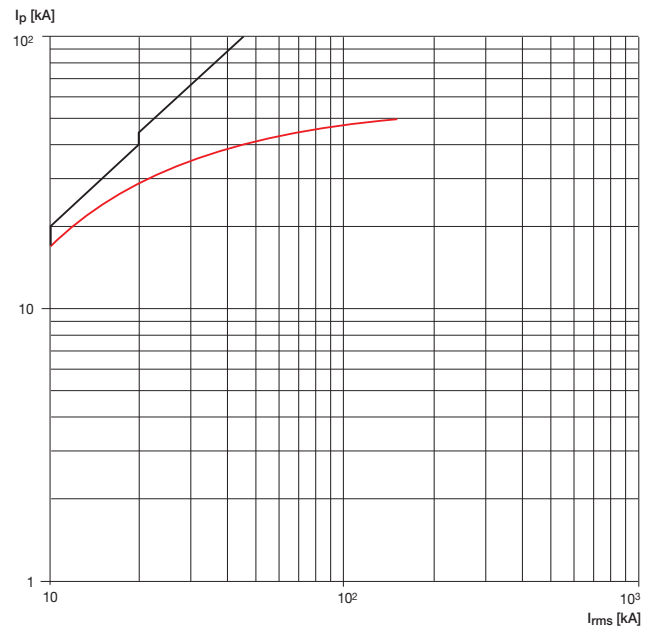
600 V



1SDC2100317F0001

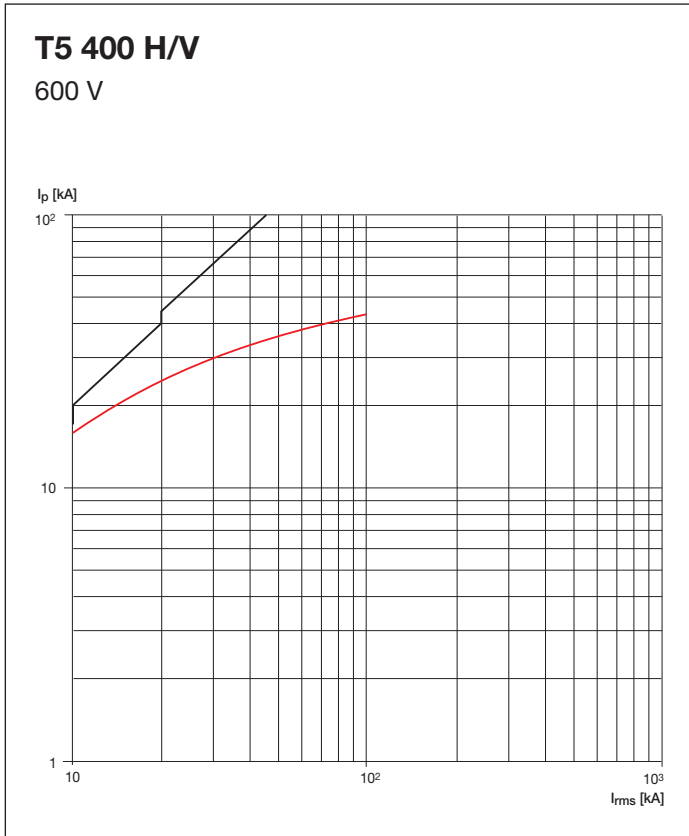
T5 400 H/V

480 V



1SDC2100316F0001

Limitation curves (current limiting circuit breakers)

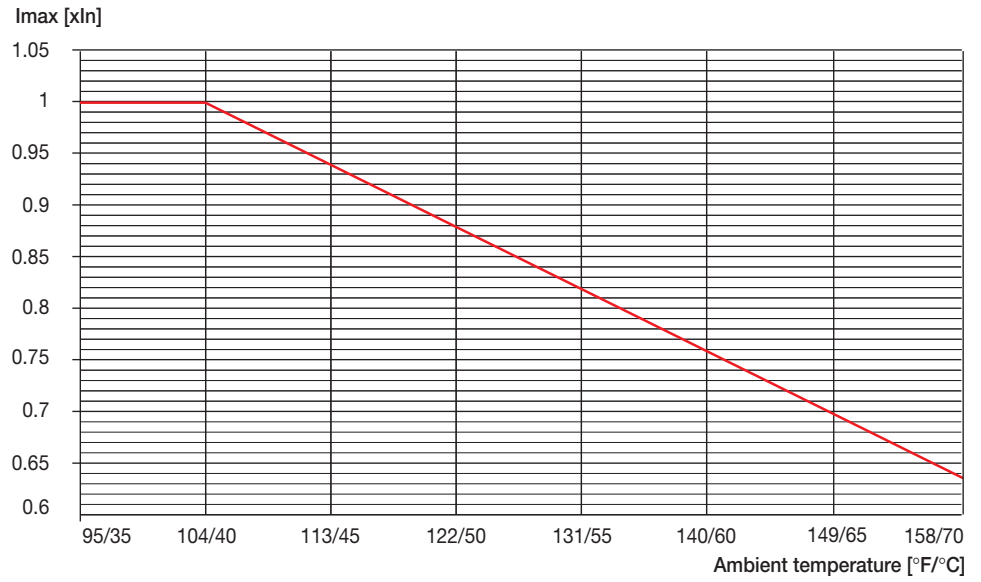


4

Temperature performances

Circuit breakers with electronic trip unit

PR221DS
PR222DS/P
PR231/P
PR232/P
PR331/P
PR332/P



1SDC210023D0201

Temperature performances

Circuit breakers with thermal magnetic trip units

Tmax T1 and T1 1P

In [A]	50 °F / 10 °C	68 °F / 20 °C	86 °F / 30 °C	104 °F / 40 °C	122 °F / 50 °C	140 °F / 60 °C
15	18	17	16	15	14	13
20	24	22	21	20	19	17
25	29	28	27	25	23	22
30	35	34	32	30	28	26
40	47	45	43	40	37	34
50	60	57	53	50	46	42
60	71	68	64	60	56	51
70	83	79	75	70	65	60
80	94	90	85	80	75	69
90	106	101	96	90	84	78
100	121	114	107	100	92	84

Tmax T2

In [A]	50 °F / 10 °C	68 °F / 20 °C	86 °F / 30 °C	104 °F / 40 °C	122 °F / 50 °C	140 °F / 60 °C
15	18	17	16	15	14	12
20	24	23	21	20	18	17
25	30	28	27	25	23	21
30	35	33	32	30	28	26
35	40	39	37	35	33	31
40	46	44	42	40	38	35
50	56	54	52	50	48	45
60	71	68	64	60	56	51
70	83	79	75	70	65	60
80	96	91	86	80	74	67
90	109	103	97	90	83	75
100	115	110	105	100	95	89

Tmax T3

In [A]	50 °F / 10 °C	68 °F / 20 °C	86 °F / 30 °C	104 °F / 40 °C	122 °F / 50 °C	140 °F / 60 °C
60	70	67	64	60	56	52
70	82	78	74	70	66	61
80	92	88	84	80	75	71
90	104	100	95	90	85	79
100	117	112	106	100	94	87
125	145	139	132	125	118	110
150	175	167	159	150	141	131
175	205	195	185	175	164	152
200	236	224	213	200	187	172
225	264	251	239	225	211	195



Tmax Ts3 150

In [A]	50 °F / 10 °C	68 °F / 20 °C	86 °F / 30 °C	104 °F / 40 °C	122 °F / 50 °C	140 °F / 60 °C
15	18	17	16	15	14	13
20	24	22	21	20	19	17
25	30	28	27	25	23	21
30	35	33	32	30	28	26
35	41	39	37	35	33	30
40	47	44	42	40	37	34
50	59	56	53	50	47	43
60	71	67	64	60	56	51
70	83	78	74	70	66	60
80	94	90	85	80	75	68
90	106	101	95	90	85	77
100	118	112	106	100	95	85
125	148	140	133	125	119	106
150	177	168	159	150	143	127

Tmax Ts3 225

In [A]	50 °F / 10 °C	68 °F / 20 °C	86 °F / 30 °C	104 °F / 40 °C	122 °F / 50 °C	140 °F / 60 °C
175	207	196	186	175	166	149
200	236	224	212	200	190	170
225	266	252	239	225	214	191

Tmax T4

In [A]	50 °F / 10 °C	68 °F / 20 °C	86 °F / 30 °C	104 °F / 40 °C	122 °F / 50 °C	140 °F / 60 °C
20	24	22	21	20	19	17
25	30	28	27	25	23	21
40	47	44	42	40	37	34
50	59	56	53	50	47	43
80	94	90	85	80	75	68
100	118	112	106	100	95	85
125	148	140	133	125	119	106
150	177	168	159	150	143	127
200	236	224	212	200	190	170
250	266	252	239	225	214	191

Tmax T5 400/600

In [A]	50 °F / 10 °C	68 °F / 20 °C	86 °F / 30 °C	104 °F / 40 °C	122 °F / 50 °C	140 °F / 60 °C
300	241...345	230...328	220...314	210...300	200...286	187...267
400	325...465	310...442	295...420	280...400	265...380	250...355
600	483...690	459...656	440...628	420...600	400...572	374...534

Tmax T6 800

In [A]	50 °F / 10 °C	68 °F / 20 °C	86 °F / 30 °C	104 °F / 40 °C	122 °F / 50 °C	140 °F / 60 °C
600	520...740	493...705	462...660	441...630	405...580	380...540
800	685...965	640...905	605...855	560...800	520...740	470...670

Power losses

Type	Trip unit	In [A]	P [W/pole]
T1 - T1B 1p	TMF	15	1.3
		20	1.3
		25	2.0
		30	1.8
		40	2.6
		50	3.7
		60	3.9
		70	5.3
		80	4.8
		90	6.1
T2	TMF	100	6.8
		15	1.0
		20	1.7
		25	1.6
		30	2.4
		35	3.0
		40	2.8
		50	3.2
		60	4.6
		70	4.7
T3	ELT	80	5.4
		90	6.9
		100	7.7
		10	0.5
		25	1.0
Ts3	TMF	63	3.5
		100	8.0
		60	3.9
		70	4.2
		80	4.8
		90	5.0
		100	5.3
		125	6.6
		150	7.4
		175	11.6
Ts3	TMF	200	13.2
		225	15.0
		15	3.2
		20	3.2
		25	3.3
		30	3.5
		35	4.8
		40	6.3
		50	5.3
		60	7.7
Ts3	TMF	70	4.6
		80	6.0
		90	7.6
		100	7.0
		125	6.7
		150	8.8
		175	9.2
		200	12.0
		225	13.5

4

Type	Trip unit	In [A]	P [W/pole]
T4	TMF	15	3.6
		20	3.6
		30	3.6
	TMD	40	3.8
		50	3.9
		80	4.6
		100	5.2
	TMA	125	5.7
		150	6.9
		200	9.9
250		13.7	
ELT		100	1.7
		150	3.9
	200	10.7	
T5	TMA	300	12.3
		400	19.5
		600	40.1
	ELT	300	9.3
		400	16.5
T6	TMA	600	37.1
		600	30.6
	ELT	800	31
		600	30
T7	ELT	800	32
		400	5
		600	12
		800	19.3
		1000	30
		1200	47



Index

Information for reading - Circuit breakers T1, T2, T3, T4, T5, T6.....	5/2
Information for reading - Circuit breakers Ts3.....	5/6
Information for reading - Circuit breakers T7	5/8
Information for reading - ATS010 for T4-T5-T6	5/12
Information for reading - ATS010 for T7.....	5/13
Graphic symbols (IEC 60617 and CEI 3-14...3-26 Standards).....	5/14
Wiring diagram of the T1, T2, T3, T4, T5, T6 circuit breakers	5/15
Wiring diagram of the Ts3 circuit breakers.....	5/17
Wiring diagram of the T7 circuit breakers	5/18
Electrical accessories for T1, T2, T3, T4, T5, T6.....	5/20
Electrical accessories for Ts3.....	5/25
Electrical accessories for T7	5/26
Automatic transfer-switch ATS010 for T4-T5-T6.....	5/30
Automatic transfer-switch ATS010 for T7.....	5/34

Wiring diagrams

Information for reading - Circuit breakers T1, T2, T3, T4, T5, T6

State of operation represented

The diagram is shown in the following conditions:

- plug-in version circuit breaker open and racked-in
- contactor for motor starting open
- circuits de-energised
- trip units not tripped
- motor operator with springs charged.

Version

The diagram shows a circuit breaker or switch-disconnector in the plug-in version (only T2, T3, T4 and T5) or in the draw out version (T6). The diagram is also valid for the fixed and draw out version circuit breakers or switch-disconnectors.

With the fixed version circuit breakers or switch-disconnectors, the applications indicated in figures 26-27-28-29-30-31 and 32 cannot be provided.

Caption

□	= Figure number of the diagram
*	= See note indicated by the letter
A1	= Circuit breaker applications
A11	= FDU interfacing unit (front display)
A12	= AUX-E type signalling unit, with auxiliary relays for electrical signalling of circuit breaker open and circuit breaker tripped
A13	= PR021/K type signalling unit, with auxiliary relays for electrical signalling of the protection functions of electronic trip unit
A14	= MOE-E type actuation unit, with auxiliary relays for carrying out the commands coming from the dialogue unit
A15	= PR212/CI type contactor control unit for motor starting
A16	= Solenoid operating mechanism
A17	= Unit for M motor electrical latching
A18	= VM210 type voltage measuring unit
A2	= Applications of the solenoid operator or motor operator
A3	= Applications of the RC221, RC222 or RC223 type residual current release
A4	= Indication apparatus and connections for control and signalling, outside the circuit breaker
D	= Electronic time-delay device of the undervoltage release (outside the circuit breaker)
H, H1	= Signalling lamps
K	= Contactor for motor starting
K51	= Electronic trip unit: <ul style="list-style-type: none">- PR221 type overcurrent release, with the following protection functions:<ul style="list-style-type: none">- L against overload with inverse long time delay- S against short-circuit with inverse or definite short time delay- I against short-circuit with instantaneous trip- PR222DS/P, PR222DS/PD-A, type overcurrent release, with the following protection functions:<ul style="list-style-type: none">- L against overload with inverse long time delay- S against short-circuit with inverse or definite short time delay- I against short-circuit with instantaneous trip time- G against ground fault with short time trip- PR222MP motor protection type trip unit, with the following protection functions:<ul style="list-style-type: none">- against overload (thermal protection)- against rotor block- against short-circuit- against missing or unbalanced current between the phases
K51/1...8	= Contact for electrical signalling of the protection functions of the electronic trip unit
K87	= RC221, RC222 or RC223 type residual current trip unit

M	= Motor for circuit breaker opening and circuit breaker closing spring charging
M1	= Three-phase asynchronous motor
Q	= Main circuit breaker
Q/0,1,2,3	= Auxiliary circuit breaker contacts
R	= Resistor (see note F)
R1	= Motor thermistor
R2	= Thermistor in the motor operator
S1, S2	= Contacts controlled by the cam of the motor operator
S3, S3/1	= Change-over contact for electrical signalling of local/remote selector status
S4/1-2	= Contacts activated by the circuit breaker rotary handle (see note C)
S51/S	= Contact for electrical signalling of overload in progress (start)
S75/1...3	= Contacts for electrical signalling of circuit breaker in racked-in position (only provided with circuit breakers in plug-in and draw out version)
S75S/1...3	= Contacts for electrical signalling of circuit breaker in racked-out position (only provided with circuit breakers in plug-in and draw out version)
S87/1	= Contact for electrical signalling of RC222 or RC223 type residual current release pre-alarm
S87/2	= Contact for electrical signalling of RC222 Change-over contact for electrical signalling of local/remote selector status type residual current release alarm
S87/3	= Contact for electrical signalling of circuit breaker open due to RC221, RC222 or RC223 type residual current release trip
SC	= Pushbutton or contact for closing the circuit breaker
SC3	= Pushbutton for motor starting
SD	= Switch-disconnector of the power supply of the RC221 or RC222 type residual current release
SO	= Pushbutton or contact for opening the circuit breaker
SO1, SO2	= Pushbuttons or contacts for the circuit breaker opening (see Resetting instructions for circuit breaker tripped by trip units)
SO3	= Pushbutton for stopping the motor
SQ	= Contact for electrical signalling of circuit breaker open
SY	= Contact for electrical signalling of circuit breaker open due to YO, YO1, YO2 or YU thermomagnetic trip unit intervention (bell alarm)
TI	= Toroidal current transformer
TI/L1	= Current transformer placed on phase L1
TI/L2	= Current transformer placed on phase L2
TI/L3	= Current transformer placed on phase L3
TI/N	= Current transformer placed on the neutral
W1	= Serial interface with the control system (EIA RS485 interface. See note D)
X1,X2,X5...X9	= Connectors for the circuit breaker auxiliary circuits (in the case of circuit breakers in plug-in version, removal of the connectors takes place simultaneously with that of the circuit breaker. See note E)
X11	= Back-up terminal box
X3,X4	= Connectors for the circuits of the electronic trip unit (in the case of circuit breakers in the plug-in version, removal of the connectors takes place simultaneously with that of the circuit breaker)
XA	= Interfacing connector of the PR222DS/P, PR222DS/PD-A trip unit
XA1	= Three-way connector for YO/YU (see note E)
XA10	= Six-way connector for solenoid operator
XA2	= Twelve-way connector for auxiliary contacts (see note E)
XA5	= Three-way connector for contact of electrical signalling of circuit breaker open due to trip of the RC221, RC222 or RC223 type residual current release (see note E)
XA6	= Three-way connector for contact of electrical signalling of circuit breaker open due to trip of the overcurrent release (see note E)
XA7	= Six-way connector for auxiliary contacts (see note E)
XA8	= Six-way connector for contacts operated by the rotary handle or for the motor operator (see note E)
XA9	= Six-way connector for the electrical signalling of RC222 or RC223 type residual current release pre-alarm and alarm and for opening by means of the release itself (see note E)

Wiring diagrams

Information for reading - Circuit breakers T1, T2, T3, T4, T5, T6

XB, XC, XE	= Interfacing connectors of the AUX-E unit
XD	= Interfacing connector of the FDU unit
XF	= Interfacing connector of the MOE-E unit
X0	= Connector for the YO1 trip coil
X01	= Connector for the YO2 trip coil
XV	= Terminal boxes of the applications
YC	= Closing release of the motor operating mechanism
YO	= Opening release
YO1	= Trip coil of the electronic trip unit
YO2	= Trip coil of the RC221, RC222 or RC223 type residual current release
YO3	= Shunt trip of the solenoid operator
YU	= Undervoltage release (see note B).

Description of figures

- Fig. 1 = Opening release.
- Fig. 2 = Permanent opening release.
- Fig. 3 = Instantaneous undervoltage release (see note B and F).
- Fig. 4 = Undervoltage release with electronic time-delay device outside the circuit breaker (see note B).
- Fig. 5 = Instantaneous undervoltage release in version for machine tools with one contact in series (see note B, C, and F).
- Fig. 6 = Instantaneous undervoltage release in version for machine tools with two contacts in series (see note B, C, and F).
- Fig. 7 = One changeover contact for electrical signalling of circuit breaker open due to RC221, RC222 or RC223 type residual current release trip.
- Fig. 8 = RC222 or RC223 type residual current release circuits.
- Fig. 9 = Two electrical signalling contacts for RC222 or RC223 type residual current release pre-alarm and alarm.
- Fig. 10 = Solenoid operator.
- Fig. 11 = Stored energy motor operator.
- Fig. 12 = Local/remote auxiliary contact for stored-energy motor operating mechanism.
- Fig. 21 = Three changeover contacts for electrical signalling of circuit breaker open or closed and one changeover contact for electrical signalling of circuit breaker open due to YO, YO1, YO2 and YU thermomagnetic trip unit intervention (tripped position).
- Fig. 22 = One changeover contact for electrical signalling of circuit breaker open or closed and a changeover contact for electrical signalling of circuit breaker open due to YO, YO1, YO2 or YU the thermomagnetic trip unit intervention (tripped position).
- Fig. 23 = Two changeover contacts for electrical signalling of circuit breaker open or closed.
- Fig. 24 = One changeover contact for electrical signalling of circuit breaker open due to overcurrent release trip (T2).
- Fig. 25 = One contact for electrical signalling of circuit breaker open due to overcurrent release trip (T4-T5-T6).
- Fig. 26 = First position of circuit breaker changeover contact, for electrical signalling of racked-in.
- Fig. 27 = Second position of circuit breaker changeover contact, for electrical signalling of racked-in.
- Fig. 28 = Third position of circuit breaker changeover contact, for electrical signalling of racked-in.
- Fig. 29 = First position of circuit breaker changeover contact, for electrical signalling of isolated.
- Fig. 30 = Second position of circuit breaker changeover contact, for electrical signalling of isolated.
- Fig. 31 = Third position of circuit breaker changeover contact, for electrical signalling of isolated.
- Fig. 32 = Circuit of the current transformer on neutral conductor outside the circuit breaker (for plug-in and draw out version circuit breaker).
- Fig. 41 = Auxiliary circuits of the PR222DS/P, PR222DS/PD-A electronic trip unit connected with FDU front display unit.
- Fig. 42 = Auxiliary circuits of the PR222DS/PD-A electronic trip unit connected with PR021/K type signalling unit.
- Fig. 43 = Auxiliary circuits of the PR222DS/PD-A electronic trip unit connected with FDU front display unit and with PR021/K type signalling unit.

-
- Fig. 44 = Auxiliary circuits of the PR222DS/PD-A electronic trip unit connected with the AUX-E auxiliary contacts.
- Fig. 45 = Auxiliary circuits of the PR222DS/PD-A electronic trip unit connected with the auxiliary contacts AUX-E and with MOE-E type actuation unit.
- Fig. 46 = Auxiliary circuits of the PR222DS/PD-A electronic trip unit connected with FDU front display unit and with the AUX-E auxiliary contacts.

Incompatibility

The circuits indicated by the following figures cannot be supplied at the same time on the same circuit breaker:

- 1 - 2 - 3 - 4 - 5 - 6
- 5 - 6 - 11
- 10 - 11 - 45
- 10 - 12
- 21 - 22 - 23 - 44 - 45 - 46
- 24 - 25
- 26 - 32
- 41 - 42 - 43 - 44 - 45 - 46

Notes

- A) The circuit breaker is only fitted with the applications specified in the ABB SACE order confirmation. To make out the order, please consult this catalogue.
- B) The undervoltage release is supplied for power supply branched on the supply side of the circuit breaker or from an independent source: circuit breaker closing is only allowed with the release energised (the lock on closing is made mechanically).
- C) The S4/1 and S4/2 contacts shown in figures 5-6 open the circuit with the circuit breaker open and close it again when a manual closing command is given by means of the rotary handle, in accordance with the Standards regarding machine tools (in any case, closing does not take place if the undervoltage release is not supplied).
- E) Connectors XA1, XA2, XA5, XA6, XA7, XA8 and XA9 are supplied on request. They are always supplied with T2 and T3 circuit breakers in the plug-in version, and with T4 and T5 circuit breakers in the plug-in version equipped with unwired electronic accessories. Connectors X1, X2, X5, X6, X7, X8 and X9 are supplied on request. They are always supplied with T4, T5 and T6 circuit breakers in the fixed version or in the draw out version equipped with unwired electronic accessories.
- F) Additional external resistor for undervoltage release supplied at 250 V DC, 380/440 V AC and 480/500 V AC.
- G) In the case of fixed version circuit breaker with current transformer on external neutral conductor outside the circuit breaker, when the circuit breaker is to be removed, it is necessary to short-circuit the terminals of the TI/N transformer.
- H) SQ and SY contacts of AUX-E signalling unit are opto-isolated contacts.
- I) The connection to poles 3-4 of X4 connector can be used in two ways: connecting a generic digital input or connecting the motor thermistor. The two functions are alternative.

Wiring diagrams

Information for reading - Circuit breakers Ts3

Versions

The diagram indicates a circuit breaker or an isolating-switch in draw out or plug-in version but it may be applied to circuit breaker or an isolating-switch in fixed version too.

Circuit given in figures 21-22-31-32 cannot be supplied with circuit breakers or isolating-switches in fixed version.

Caption

□	= Reference number of diagram figure
*	= See note indicated by the letter
A1	= Circuit breaker accessories
A2	= Motor operator accessories
A4	= Indicative devices and connections for control and signalling, external to the circuit breaker
D	= Solid-state time-delaying device for undervoltage release (external to the circuit breaker)
K87	= Residual current release type RC211 or RC212
KO	= Auxiliary opening relay
M	= Motor with series energization for the circuit breaker opening and closing
Q	= Main circuit breaker
Q/D...2	= Circuit breaker auxiliary contacts
R	= Resistance external to the circuit breaker, supplied for motor supply voltage higher than 220 V
S1	= Position contact operated by a cam of the circuit breaker
S2	= Safety contact operated by: <ul style="list-style-type: none">– key lock (if provided)– padlock device
S4	= Contact operated by the circuit breaker rotary handle (see note C)
S75I/1...2	= Contacts signalling circuit breaker in the connected position (provided with circuit breaker in draw out or plug-in version only. See note D)
S75S/1...2	= Contacts signalling circuit breaker in the isolated or plugged-out position (provided with circuit breaker in draw out or plug-in version only. See note D)
SC	= Pushbutton or contact for circuit breaker closing, the operation shall last for 100 ms at least
SO	= Pushbutton or contact for circuit breaker opening
SO1,SO2	= Pushbutton or contact for circuit breaker opening, the operation shall last for 100 ms at least (see Instruction for resetting the circuit breaker after the releases have tripped)
SY	= Contact signalling circuit breaker tripped through thermomagnetic, YO, YO1, YO2, YU releases operation (bell alarm)
TI	= Ring current transformer
X1, X2	= Connectors for the circuit breaker auxiliary circuits
XV	= Terminal boards of the accessories
YO	= Shunt trip
YO1	= Opening solenoid of the RC211 or RC212 type current residual release
YO2	= Shunt trip for permanent supply
YU	= Undervoltage release (see note B).

Description of figures

- Fig. 1 = Shunt trip
- Fig. 2 = Opening solenoid of the RC211 type residual current release
- Fig. 3 = Opening solenoid of the RC212 type residual current release
- Fig. 4 = Instantaneous undervoltage release (see note B)
- Fig. 5 = Instantaneous undervoltage release in version for machine tools (see notes B and C)
- Fig. 6 = Undervoltage release with solid-state time-delaying device external to the circuit breaker (see note B)
- Fig. 7 = Direct-acting motor operator
- Fig. 8 = Shunt trip for permanent supply
- Fig. 11 = Two change-over contacts signalling circuit breaker on/off
- Fig. 12 = One change-over contact signalling circuit breaker on/off and one change-over contact signalling circuit breaker tripped through thermomagnetic YO, YO1, YO2, YU releases operation (bell alarm)
- Fig. 21 = First circuit breaker position contact, signalling the connected position (see note D)
- Fig. 22 = Second circuit breaker position contact, signalling the connected position (see note D)
- Fig. 31 = First circuit breaker position contact, signalling the isolated or plugged-out position (see note D)
- Fig. 32 = Second circuit breaker position contact, signalling the isolated or plugged-out position (see note D).

Incompatibility

The combinations of circuits given in the figures below are not possible on the same circuit breaker:

- 2 - 3
- 1 - 4 - 5 - 6 - 7 - 8
- 11 - 12
- 21 - 31
- 22 - 32

Notes

- A) Circuit breaker is delivered complete with the accessories listed in the ABB order acknowledgment only.
- B) Undervoltage release is suitable for circuit breaker supply side feeding or for feeding from an independent source: circuit breaker closes only if the undervoltage release is energized (lock on closing is achieved mechanically).
- C) Contact S4 given in fig. 5 opens the circuit when the circuit breaker is open and it closes when a manual closing control is carried out through rotary handle, in compliance with the Standards relevant to the machine tools (the closing does not occur indeed if the undervoltage release is not energized).
- D) Circuit breaker can be equipped with S75I and S75S position contacts, in whatever combination, with a maximum of 2 total contacts.

Wiring diagrams

Information for reading - Circuit breakers T7

Warning

Before installing the circuit breaker, carefully read notes F and O on the circuit diagrams.

Operating status shown

The circuit diagram is for the following conditions:

- draw out circuit breaker, open and racked-in
- circuits de-energised
- releases not tripped
- motor operating mechanism with springs discharged.

Versions

Though the diagram shows a circuit breaker in draw out version, it can be applied to a fixed version circuit breaker as well.

Fixed version

The control circuits are fitted between terminals XV (connectors X12-X13-X14-X15 are not supplied). With this version, the applications indicated in figure 31A cannot be provided.

Draw out version

The control circuits are fitted between the poles of connectors X12-X13-X14-X15 (terminal box XV is not supplied).

Version without overcurrent release

With this version, the applications indicated in figures 13A, 14A, 41A, 42A, 43A, 44A, 45A, 62A cannot be provided.

Version with PR231/P or PR232/P electronic trip unit

With this version, the applications indicated in figures 41A, 42A, 43A, 44A, 45A, 62A cannot be provided.

Version with PR331/P electronic trip unit

With this version, the applications indicated in figures 42A, 43A, 44A, 45A cannot be provided.

Version with PR332/P electronic trip unit

With this version, the applications indicated in figure 41A cannot be provided.

Caption

□	= Circuit diagram figure number
*	= See note indicated by letter
A1	= Circuit breaker accessories
A3	= Accessories applied to the cradle of the circuit breaker (for draw out version only)
A4	= Example switchgear and connections for control and signalling, outside the circuit breaker
A13	= PR021/K signalling unit (outside the circuit breaker)
A19	= PR330/R actuation unit
AY	= SOR TEST UNIT Test/monitoring Unit (see note R)
D	= Electronic time-delay device of the undervoltage release, outside the circuitbreaker
K51	= PR231/P, PR232/P, PR331/P, PR332/P type electronic trip unit with the following protection functions: <ul style="list-style-type: none">- L overload protection with inverse long time-delay trip - setting I_1- S short-circuit protection with inverse or definite short time-delay trip - setting I_2- I short-circuit protection with instantaneous time-delay trip - setting I_3- G ground fault protection with inverse short time-delay trip - setting I_4
K51/1...8	= Contacts of the PR021/K signalling unit
K51/GZin (DBin)	= Zone selectivity: input for protection G or "reverse" direction input for protection D (only with Uaux. and PR332/P trip unit)

K51/GZout (DBout)	= Zone selectivity: output for protection G or “reverse” direction output for protection D (only with and PR332/P trip unit)
K51/SZin (DFin)	= Zone selectivity: input for protection S or “direct” input for protection D (only with Uaux. and PR332/P trip unit)
K51/SZout (DFout)	= Zone selectivity: output for protection S or “direct” output for protection D (only with Uaux. and PR332/P trip unit)
K51/YC	= Closing control from PR332/P electronic trip unit with communication module PR330/D-M and PR330/R actuation unit
K51/YO	= Opening control from PR332/P electronic trip unit with communication module PR330/D-M and PR330/R actuation unit
M	= Motor for charging the closing springs
Q	= Circuit breaker
Q/1...6	= Circuit breaker auxiliary contacts
S33M/1...3	= Limit contacts for spring-charging motor
S4/1-2-3	= Contacts activated by the rotary handle of the circuit breaker – only for circuit breakers with manual control (see note C)
S43	= Switch for setting remote/local control
S51	= Contact for electrical signalling of circuit breaker open due to tripping of the over-current trip unit. The circuit breaker may be closed only after pressing the reset pushbutton, or after energizing the coil for electrical reset (if available)
S51/P1	= Programmable contact (as default it signals overload present - start)
S75E/1...2	= Contacts for electrical signalling of circuit breaker in racked-out position (only with draw out circuit breakers)
S75I/1...7	= Contacts for electrical signalling of circuit breaker in racked-in position (only with draw out circuit breakers)
S75T/1...2	= Contacts for electrical signalling of circuit breaker in test isolated position (only with draw out circuit breakers)
SC	= Pushbutton or contact for closing the circuit breaker
SO	= Pushbutton or contact for opening the circuit breaker
SO1	= Pushbutton or contact for opening the circuit breaker with delayed trip
SO2	= Pushbutton or contact for opening the circuit breaker with instantaneous trip
SR	= Pushbutton or contact for electrical circuit breaker reset
SRTC	= Contact for electrical signalling of circuit breaker open, with springs charged and ready to close
SY	= Contact for electrical signalling of circuit breaker open due to trip units tripped, YO, YO1, YO2, YU (bell alarm) only for circuit breakers with direct control
TI/L1	= Current transformer located on phase L1
TI/L2	= Current transformer located on phase L2
TI/L3	= Current transformer located on phase L3
T0	= Homopolar Toroidal current transformer (see note T)
TU	= Insulating voltage transformer
Uaux.	= Auxiliary power supply voltage (see note F)
UI/L1	= Current sensor (Rogowski coil) located on phase L1
UI/L2	= Current sensor (Rogowski coil) located on phase L2
UI/L3	= Current sensor (Rogowski coil) located on phase L3
UI/N	= Current sensor (Rogowski coil) located on neutral
UI/0	= Current sensor (Rogowski coil) located on the conductor connecting to ground the star point of the MV/LV transformer (see note G)
W1	= Serial interface with control system (external bus): EIA RS485 interface (see note E)
W2	= Serial interface with the accessories of PR331/P and PR332/P trip units (internal bus)
X12...X15	= Delivery connectors for auxiliary circuits of draw out version circuit breaker
XB1...XB7	= Connectors for the accessories of the circuit breaker
XF	= Delivery terminal box for the position contacts of the draw out circuit breaker (located on the cradle of the circuit breaker)
XO	= Connector for YO1 release
XR1 – XR2	= Connector for power circuits of PR231/P, PR232/P, PR331/P, and PR332/P trip units
XR5 – XR13	= Connector for power circuits of PR332/P trip unit

Wiring diagrams

Information for reading - Circuit breakers T7

XV	= Delivery terminal box for the auxiliary circuits of the fixed circuit breaker
YC	= Closing coil
YO	= Shunt trip
YO1	= Overcurrent shunt trip (trip coil)
YO2	= Second shunt trip (see note Q)
YR	= Coil to electrically reset the circuit breaker
YU	= Undervoltage release (see notes B, C and Q)

Description of figures

- Fig. 1A = Motor circuit to charge the closing springs.
Fig. 2A = Circuit of closing coil.
Fig. 4A = Shunt trip.
Fig. 6A = Instantaneous undervoltage release (see notes B, C and Q).
Fig. 7A = Undervoltage release with electronic time-delay device, outside the circuit breaker (see notes B and Q).
Fig. 8A = Second shunt trip (see note Q).
Fig. 11A = Contact for electrical signalling of springs charged or discharged.
Fig. 12A = Contact for electrical signalling of circuit breaker open, with springs charged, and ready to close.
Fig. 13A = Contact for electrical signalling of circuit breaker open due to tripping of the overcurrent release. The circuit breaker may be closed only after pressing the reset pushbutton, or after energizing the coil for electronic reset (if available).
Fig. 14A = Electrical reset control.
Fig. 15A = Contact operated by the circuit breaker rotary handle – for circuit breakers with manual control only (see note C).
Fig. 21A = Circuit breaker auxiliary contacts (for circuit breakers with manual control only).
Fig. 22A = Circuit breaker auxiliary contacts (for circuit breakers with motor control only).
Fig. 31A = First set of contacts for electrical signalling of circuit breaker in racked-in, test isolated, racked out position.
Fig. 41A = Auxiliary circuits of PR331/P trip unit (see note F).
Fig. 42A = Auxiliary circuits of PR332/P trip units (see notes F and N).
Fig. 43A = Circuits of the measuring module PR330/V of the PR332/P trip units internally connected to the circuit breaker (optional).
Fig. 44A = Circuits of the measuring module PR330/V of the PR332/P trip units externally connected to the circuit breaker (optional; see note O).
Fig. 45A = Circuits of the PR332/P trip unit with communication module PR330/D-M connected to PR330/V actuation unit (see notes E, F and N).
Fig. 46A = Circuits of the PR332/P trip unit PR330/V measuring module connected internally to the three-pole circuit breaker with external neutral conductor (optional).
Fig. 61A = SOR TEST UNIT Test/monitoring unit (see note R).
Fig. 62A = Circuits of the PR021/K signalling module (outside the circuit breaker).

Incompatibilities

The circuits indicated in the following figures cannot be supplied simultaneously on the same circuit breaker:

- 6A - 7A - 8A
- 21A - 22A
- 41A - 42A - 45A
- 43A - 44A - 46A

Notes

- A) The circuit breaker is only fitted with the applications specified in the ABB SACE order confirmation. To make out the order, please consult this catalogue.
- B) The undervoltage release is supplied for operation using a power supply branched on the supply side of the circuit breaker or from an independent source. The circuit breaker can only close when the release is energized (there is a mechanical lock on closing).
- C) In conformity with the Standards governing machine tools, contacts S4 shown in Fig. 15A can be used to open the Yu undervoltage release circuit (Fig. 6A) when the circuit breaker is open and close it again upon a manual closing command from the rotary handle.
- E) For the EIA RS485 serial interface connection see document RH0298 regarding MODBUS communication.
- F) The auxiliary voltage Vaux allows actuation of all operations of the PR331/P, PR332/P and trip units.
Having requested a Vaux insulated from ground, one must use “galvanically separated converters” in compliance with IEC 60950 (UL 1950) or equivalent standards that ensure a common mode current or leakage current (see IEC 478/1, CEI 22/3) not greater than 3.5 mA, IEC 60364-41 and CEI 64-8.
- G) Ground fault protection is available with the PR332/P trip unit by means of a current sensor located on the conductor connecting to ground the star centre of the MV/LV transformer.
The connections between terminals 1 and 2 (or 3) of current transformer UI/O and poles T7 and T8 of the X (or XV) connector must be made with a two-pole shielded and stranded cable (see user manual), no more than 15 m long. The shield must be grounded on the circuit breaker side and current sensor side.
- N) With PR332/P trip unit, the connections to the zone selectivity inputs and outputs must be made with a two-pole shielded and stranded cable (see user manual), no more than 300 m long. The shield must be grounded on the selectivity input side.
- O) Systems with rated voltage greater than 690V require the use of an insulation voltage transformer to connect to the busbars.
- P) With PR332/P trip unit with communication module PR330/D-M, the coils YO and YC can be controlled directly from contacts K51/YO and K51/YC with maximum voltages of 110-120 V DC e 240-250 V AC.
- Q) The second opening release may be installed as an alternative to the undervoltage release.
- R) The SACE SOR TEST UNIT + opening release (YO) is guaranteed to operate starting at 75% of the Vaux of the opening release itself.
While the YO power supply contact is closing (short-circuit on terminals 4 and 5), the SACE SOR TEST UNIT is unable to detect the opening coil status. Consequently:
– For continuously powered opening coil, the TEST FAILED and ALARM signals will be activated
– If the coil opening command is of the pulsing type, the TEST FAILED signal may appear at the same time. In this case, the TEST FAILED signal is actually an alarm signal only if it remains lit for more than 20s.
- S) The connection cable shield must only be grounded on the circuit breaker side.
- T) The connections between the TO toroidal transformer and the poles of the X13 (or XV) connector of the circuit breaker must be made using a four-pole shielded cable with paired braided conductors (BELDEN 9696 paired type), with a length of not more than 15 m. The shield must be grounded on the circuit breaker side.

Wiring diagrams

Information for reading - ATS010 for T4-T5-T6

State of operation represented

The circuit diagram is for the following conditions:

- circuit breakers open and connected
- circuit breakers de-energized
- closing springs discharged
- overcurrent relays not tripped *

The present diagram shows draw out circuit breakers, but is also valid for fixed circuit breakers: connect terminal 17 to 20 and terminal 35 to 38 on the ATS010 device.

* The present diagram shows circuit breakers with overcurrent trip unit (T4-T5), but is also valid for circuit breakers with thermomagnetic trip unit and to circuit breakers with out relay (switch-disconnectors): connect terminal 18 to 20 and terminal 35 to 37 of the ATS010 device.

@ The present diagram shows four-pole circuit breakers but is also valid for two-pole circuit breakers: use only terminals 26 and 24 (phase and neutral) for the voltage connection of the normal power supply to the ATS010 device; also use the Q61/2 two-pole rather than four-pole auxiliary protection circuit breaker.

Caption

A	= Device type ATS010 for the automatic transfer switch of two circuit breakers
A17	= Unit for M motor electrical latching
K1	= Auxiliary contactor type VB6-30-01 for the emergency supply voltage presence
K2	= Auxiliary contactor type VB6-30-01 for the normal supply voltage presence
K51/Q1	= Overcurrent release for emergency supply line*
K51/Q2	= Overcurrent release for normal supply line*
KC1-KC2	= Auxiliary contactors type BC6-30 for circuit breaker closing
KO1-KO2	= Auxiliary contactors type BC6-30 for circuit breaker opening
M	= Motor with series energization for the circuit breaker opening and closing
Q/1	= Circuit breaker auxiliary contact
Q1	= Circuit breaker for emergency supply line
Q2	= Circuit breaker for normal supply line
Q61/1-2	= Miniature circuit breakers for auxiliary circuits protection @
S1, S2	= Position contact operated by a cam of the operating mechanism
S3	= Key lock contact operated by the remote opening trip unit or the operating mechanism
S11...S16	= Contacts for the ATS010 device inputs
S75/1	= Contact signalling circuit breaker in draw out version connected #
SY	= Contact signalling circuit breaker tripped through trip units operation (bell alarm)*
TI/...	= Current transformers feeding the overcurrent relay
X2	= Connector for the circuit breaker auxiliary circuits
XV	= Terminal boards of the accessories.

Wiring diagrams

Information for reading - ATS010 for T7

State of operation represented

The circuit diagrams are for the following conditions:

- circuit breakers open and connected
- circuits de-energized
- closing springs discharged
- overcurrent relays not tripped *
- ATS010 not powered
- generator in automatic mode, not started
- transfer switch enabled
- generator not in alarm
- logic enabling command on (terminal 47).

The present diagram shows draw out circuit breakers, but is also valid for fixed circuit breakers: circuit breaker auxiliary circuits are not connected to X12-X15 connectors but to the XV terminal board; furthermore connect terminal 17 to 20 and terminal 35 to 38 on the ATS010 device.

* The present diagram shows circuit breakers with overcurrent trip unit, but is also valid for circuit breakers with thermomagnetic trip unit and to circuit breakers with out relay (switch-disconnectors): connect terminal 18 to 20 and terminal 35 to 37 of the ATS010 device.

@ The present diagram shows four-pole circuit breakers but is also valid for two-pole circuit breakers: use only terminals 26 and 24 (phase and neutral) for the voltage connection of the normal power supply to the ATS010 device; also use the Q61/2 two-pole rather than four-pole auxiliary protection circuit breaker.

Caption


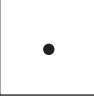
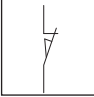
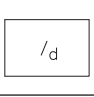
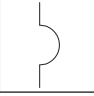
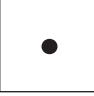
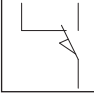


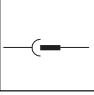
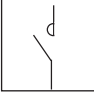
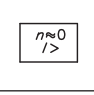

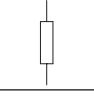
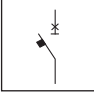

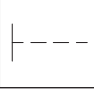
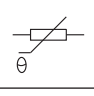
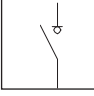
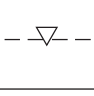
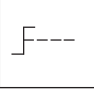
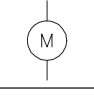
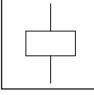
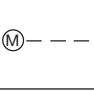
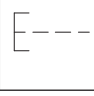
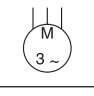
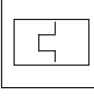
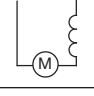
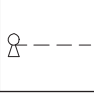
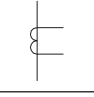
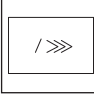
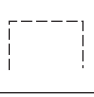
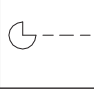
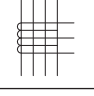
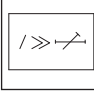
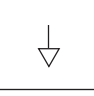
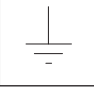

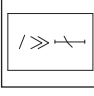
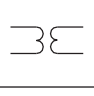
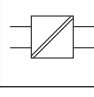
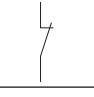
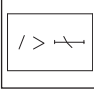
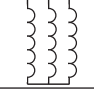
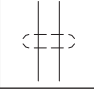
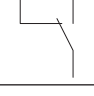
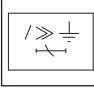
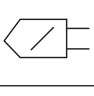
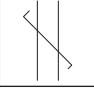
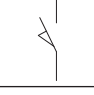

A	= Device type ATS010 for the automatic transfer switch of two circuit breakers
K1	= Auxiliary contactor type VB6-30-01 for the emergency supply voltage presence
K2	= Auxiliary contactor type VB6-30-01 for the normal supply voltage presence
K51/Q1	= Overcurrent release for emergency supply line*
K51/Q2	= Overcurrent release for normal supply line*
KC1-KC2	= Auxiliary contactors type BC6-30 for circuit breaker closing
KO1-KO2	= Auxiliary contactors type BC6-30 for circuit breaker opening
M	= Motor with series energization for the circuit breaker opening and closing
Q/1	= Circuit breaker auxiliary contact
Q1	= Circuit breaker for emergency supply line
Q2	= Circuit breaker for normal supply line
Q61/1-2	= Miniature circuit breakers for auxiliary circuits protection @
S11...S16	= Contacts for the ATS010 device inputs
S33M/1	= Limit switch of the closing springs
S51	= Contact signalling circuit breaker tripped through the overcurrent relay *
S75/1	= Contact signalling circuit breaker in draw out version connected #
TI/...	= Current transformers feeding the overcurrent relay
X12-X15	= Connectors for the auxiliary circuits of the circuit breaker in draw out version
XV	= Terminal board for the position contacts of the draw out circuit breaker
YC	= Terminal boards of the accessories.
YO	= Closing coil
YO	= Shunt trip

Note

- A) For the auxiliary circuits of the circuit breakers see the relative diagrams. The applications indicated in the following figures are compulsory: 1A - 2A - 4A - 13A (only if the overcurrent release is supplied) - 22A - 31A (only for draw out version circuit breakers).

Wiring diagrams

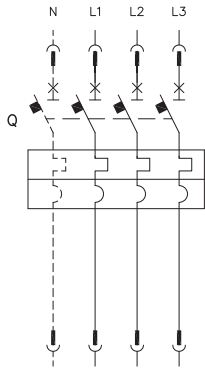
Graphic symbols (IEC 60617 and CEI 3-14...3-26 Standards)

	Thermal effect		Connection of conductors		Position switch (limit switch), break contact		Differential current relay
	Electromagnetic effect		Terminal		Position switch (limit switch) change-over break before make contact		Phase-failure detection relay in a three-phase system
	Delay		Plug and socket (male and female)		Contactor (contact open in the unoperated position)		Locked-rotor detection relay operating by current sensing
	Mechanical connection (link)		Resistor (general symbol)		Circuit-breaker disconnect with automatic trip unit		Lamp, general symbol
	Manually operated control (general case)		Temperature dependent resistor		Switch-disconnector (on-load isolating switch)		Mechanical interlock between two devices
	Operated by turning		Motor (general symbol)		Operating device (general symbol)		Operated by electric motor
	Operated by pushing		Induction motor, three-phase, squirrel cage		Thermal relay		Motor with series energization
	Operated by key		Current transformer		Instantaneous overcurrent or rate-of-rise relay		Screen, shield (it may be drawn in any convenient shape)
	Operated by cam		Current transformer with four threaded winding and with one permanent winding with one tapping		Overcurrent relay with adjustable short time-lag characteristic		Equipotentiality
	Hearth, grounding (general symbol)		Make contact		Overcurrent relay with inverse short time-lag characteristic		Voltage transformer
	Converter with galvanic separator		Break contact		Overcurrent relay with inverse long time-lag characteristic		Winding of three-phase transformer, connection star
	Conductors in a screened cable, two conductors shown		Change-over break before make contact		Ground fault overcurrent relay with inverse short time-lag characteristic		Current sensing element
	Twisted conductors, two conductors shown		Position switch (limit switch), make contact		Phase-balance current relay		

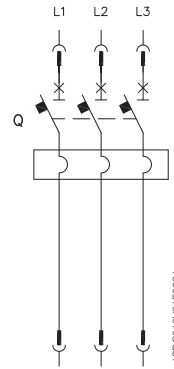
Wiring diagrams

Wiring diagram of the T1, T2, T3, T4, T5, T6 circuit breakers

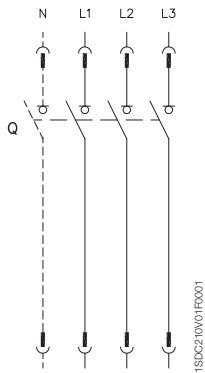
State of operation



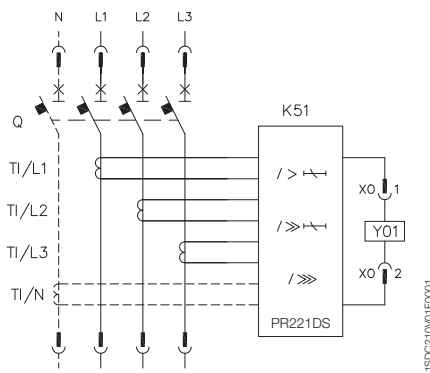
Three-pole or four-pole circuit breaker with thermomagnetic trip unit



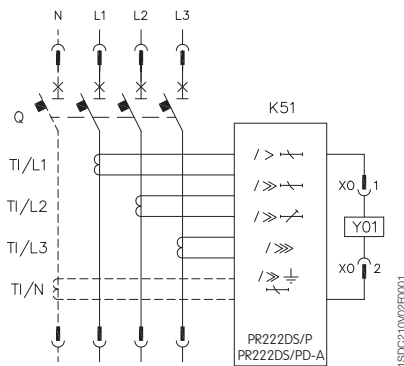
Three-pole circuit breaker with magnetic trip unit



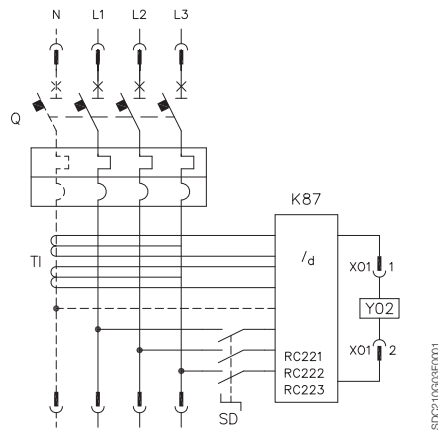
Three-pole or four-pole switch-disconnector (on-load isolating switch)



Three-pole or four-pole circuit breaker with PR221 electronic trip unit



Three-pole or four-pole circuit breaker with PR222DS/P, PR222DS/PD-A electronic trip unit (for T4, T5 and T6)

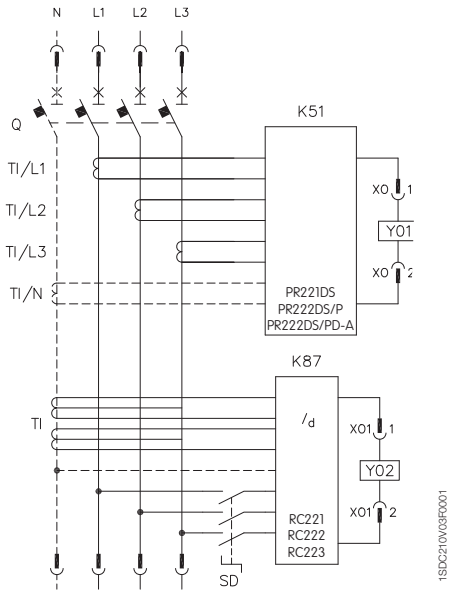


Three-pole or four-pole circuit breaker with RC221, RC222 or RC223 residual current trip unit

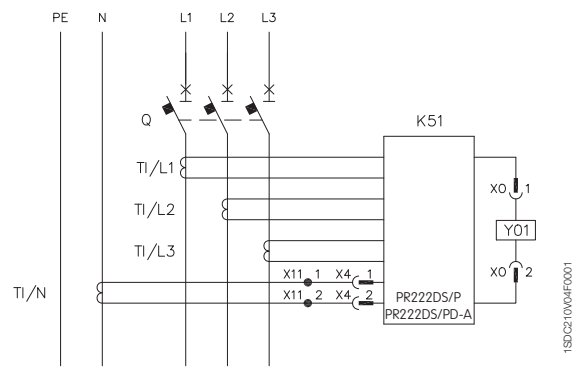
Wiring diagrams

Wiring diagram of the T1, T2, T3, T4, T5, T6 circuit breakers

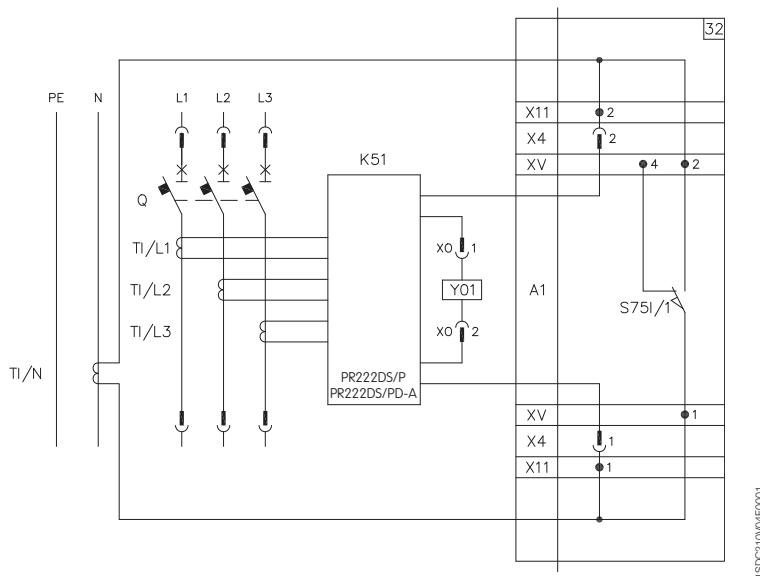
State of operation



Three-pole or four-pole circuit breaker with PR221DS, PR222DS/P or PR222DS/PD-A electronic trip unit and RC221, RC222 or RC223 residual current trip unit (for T4, T5 and T6 four-pole only)



Fixed version three-pole circuit breaker with current transformer on neutral conductor, external to circuit breaker (for T4, T5 and T6)

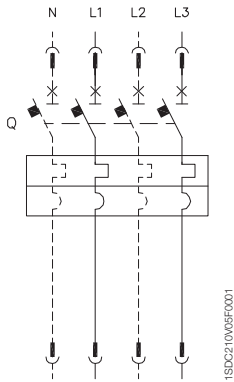


Plug-in or draw out version three-pole circuit breaker with current transformer on neutral conductor, external to circuit breaker (for T4, T5 and T6)

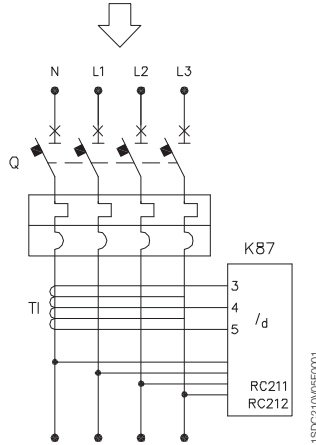
Wiring diagrams

Wiring diagram of the Ts3 circuit breakers

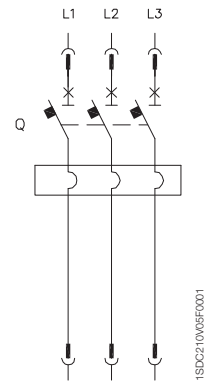
State of operation



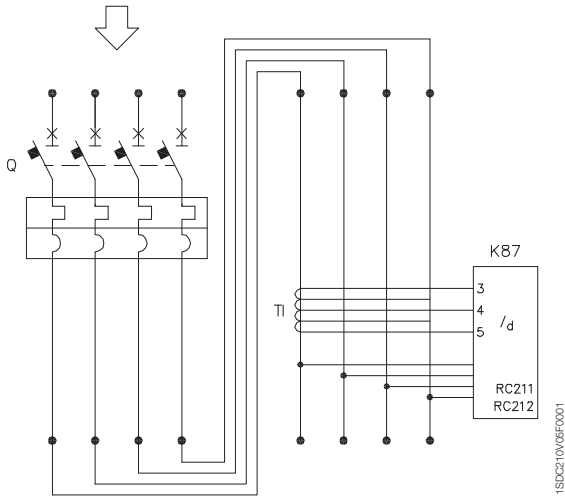
Two-pole, three-pole or four-pole Ts3 circuit breaker with thermomagnetic trip unit



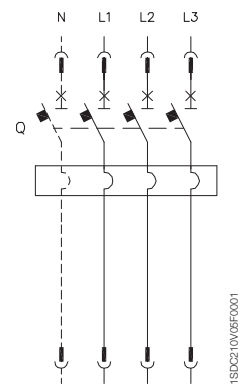
Fixed version four-pole Ts3 circuit breaker with RC211 or RC212 residual current release (vertical installation)



Ts3 MCP three-pole with magnetic trip unit



Fixed version four-pole Ts3 circuit breaker with RC211 or RC212 residual current release (side by side installation)

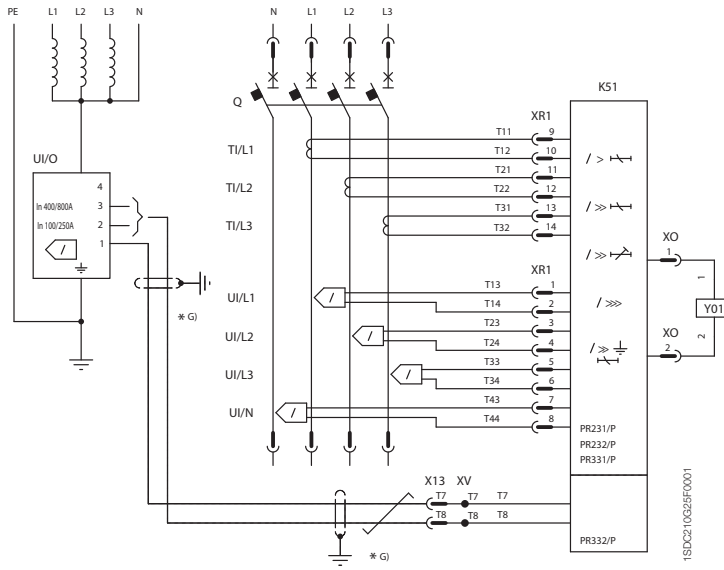


Ts3 MCS three-pole or four-pole

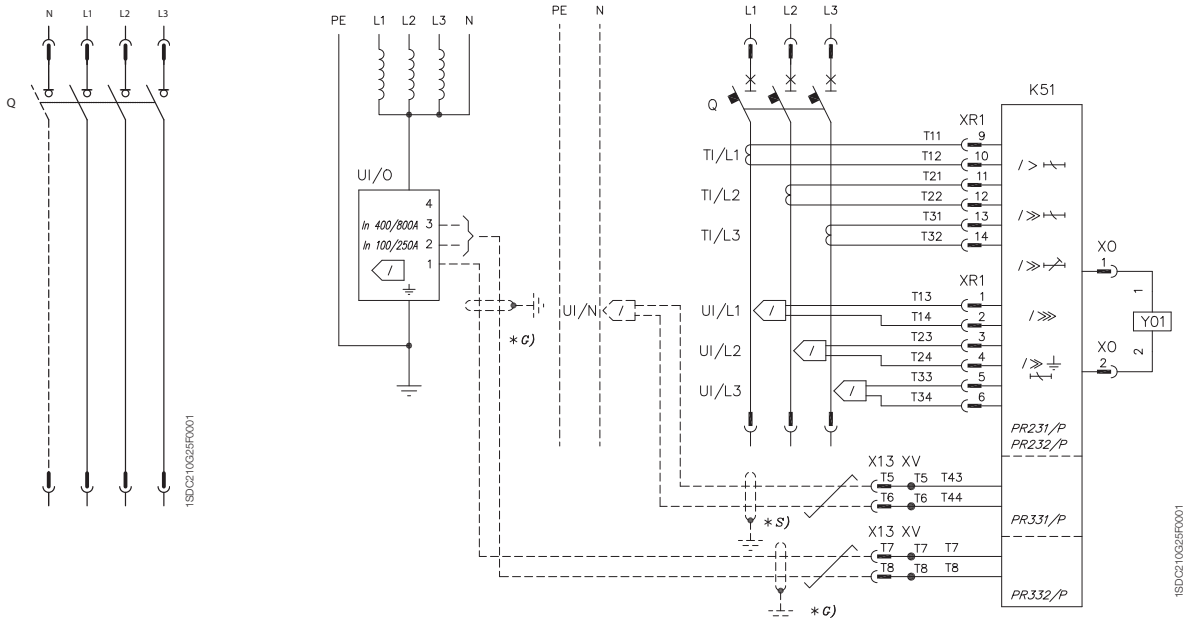
Wiring diagrams

Wiring diagram of the T7 circuit breakers

State of operation



Three-pole circuit breaker with PR231/P, PR232/P, PR331/P, PR332/P electronic trip unit

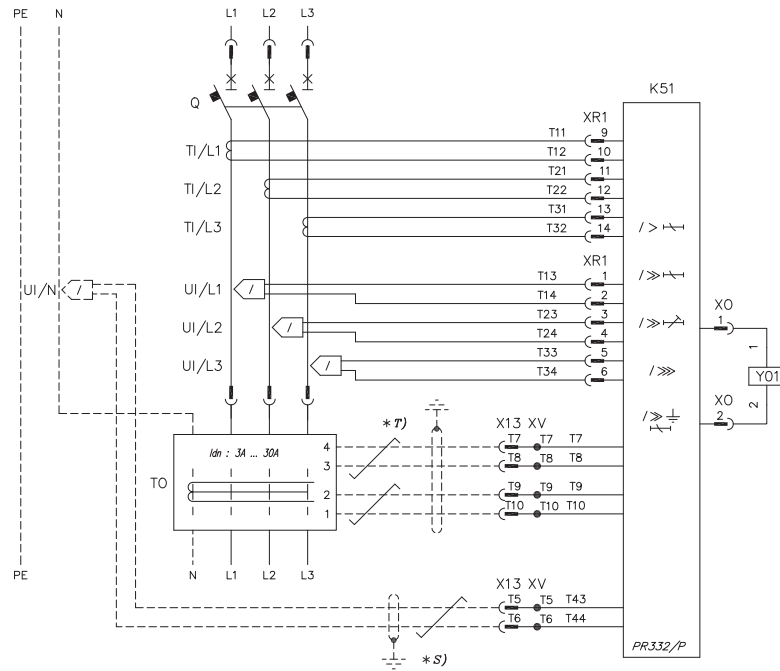


Three- or four-pole switch-disconnector

Four-pole circuit breaker with PR231/P, PR232/P, PR331/P, PR332/P electronic trip unit

5

State of operation

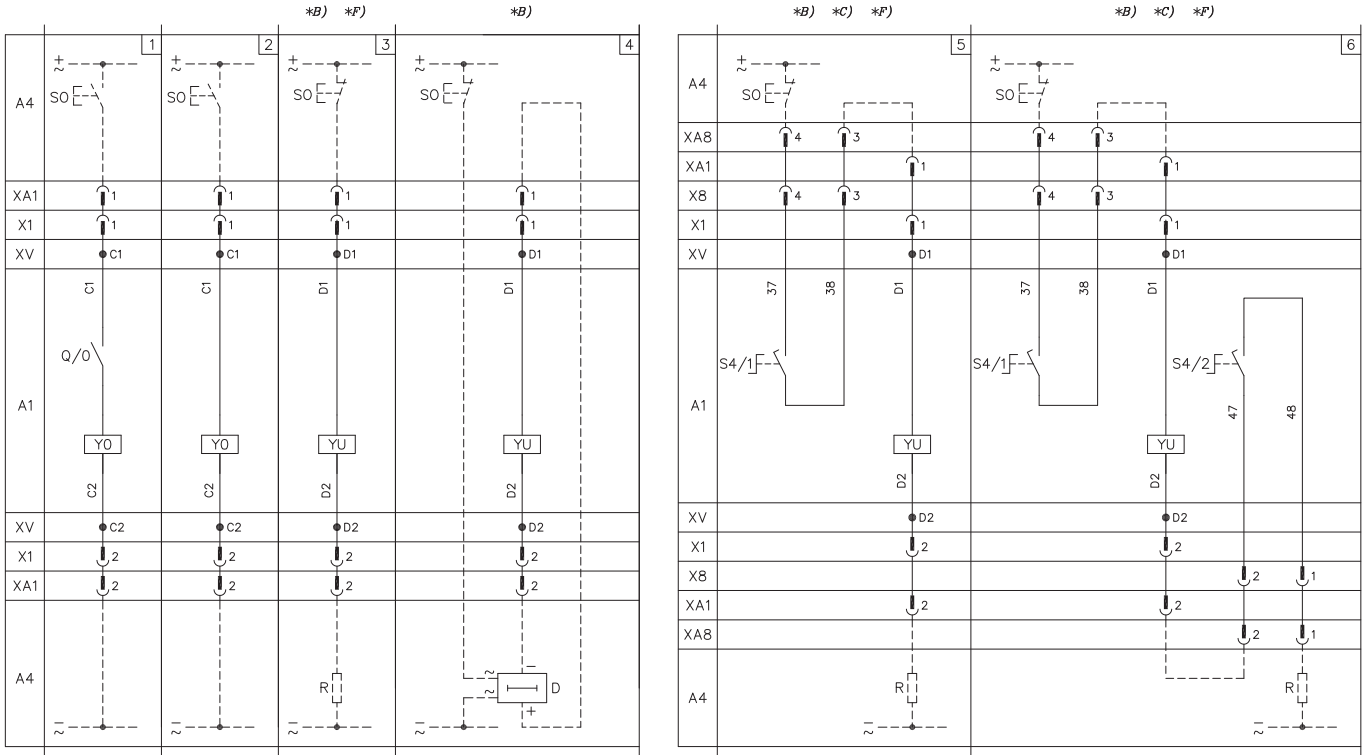


Three-pole circuit breaker with PR332/P electronic trip unit, residual current protection and $U \leq 690 \text{ V}$

Wiring diagrams

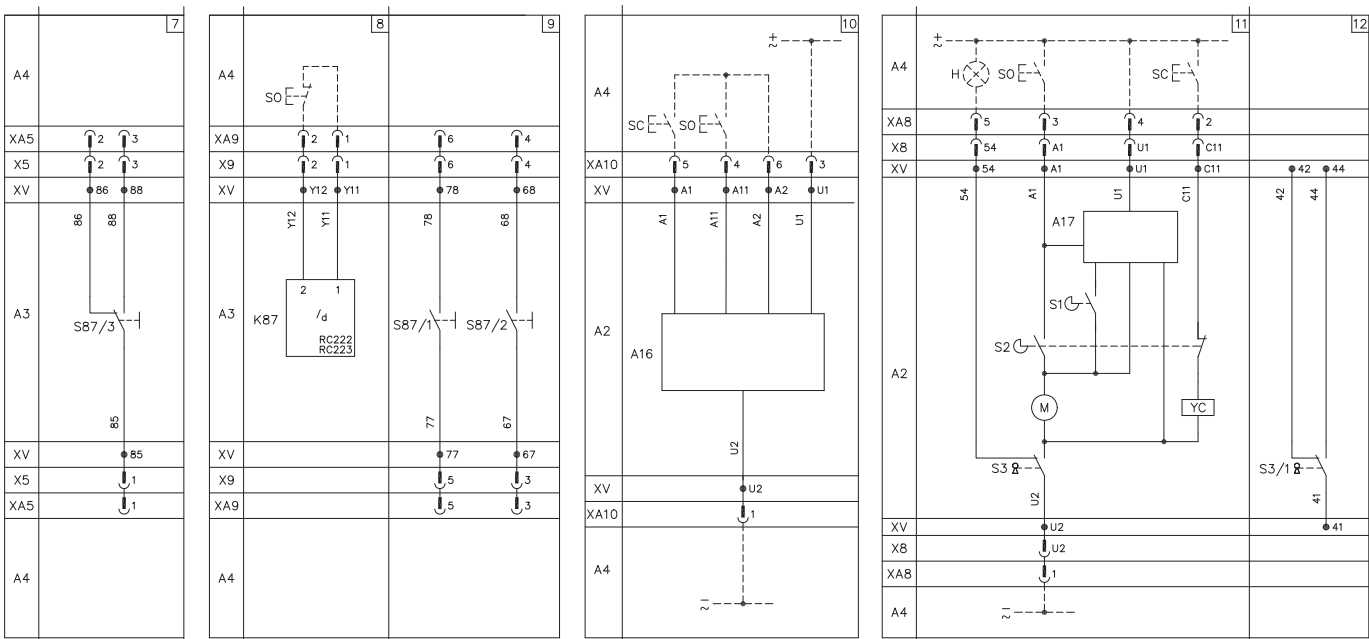
Electrical accessories for T1, T2, T3, T4, T5, T6

Shunt trip and undervoltage releases



1SDC21006F0001

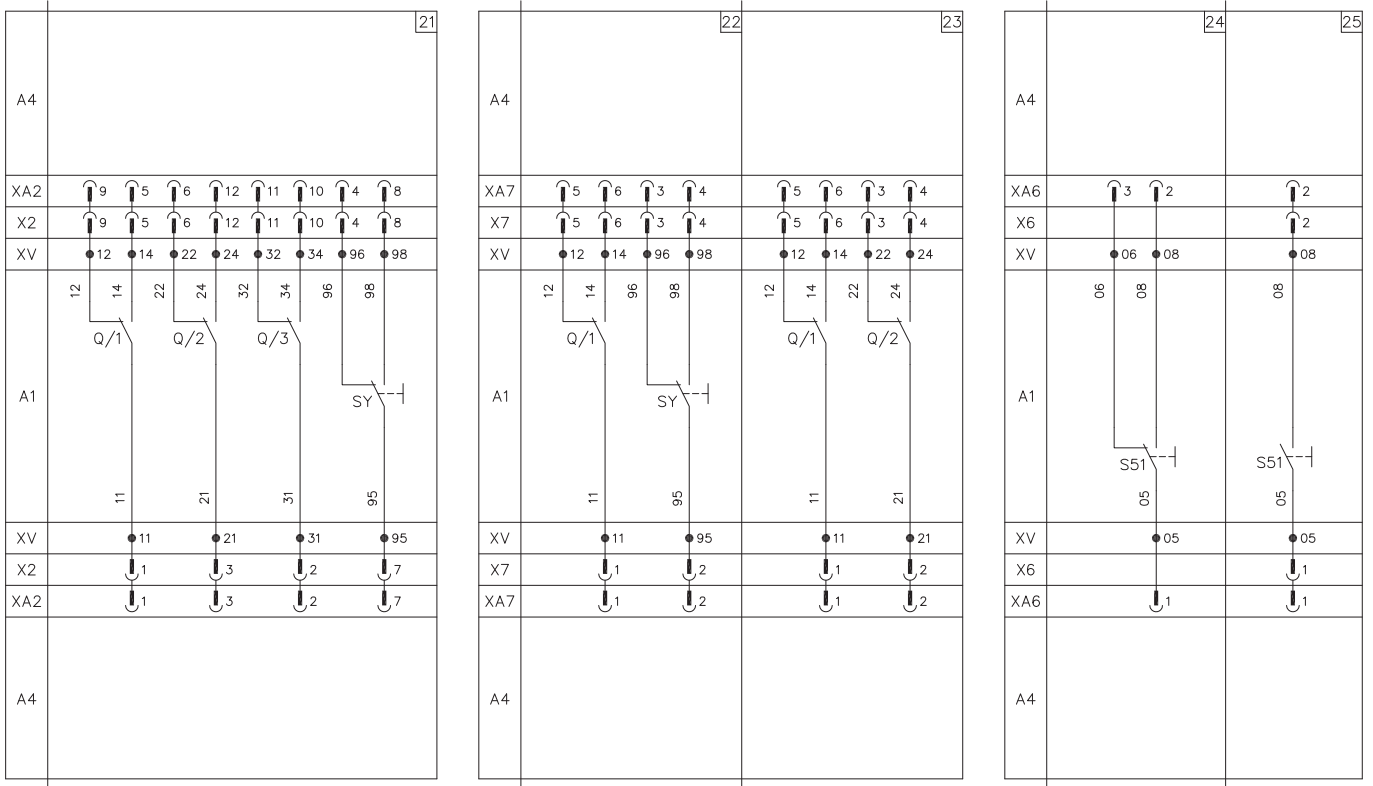
Residual current releases and remote controls



1SDC21007F0001

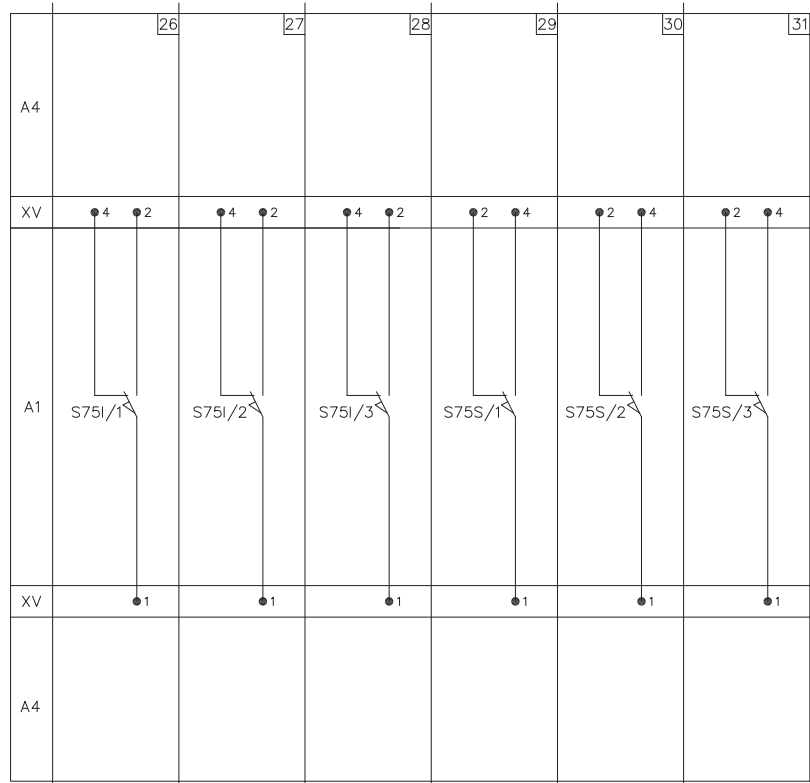
5

Auxiliary contacts



1SDC21009F0001

Position contacts

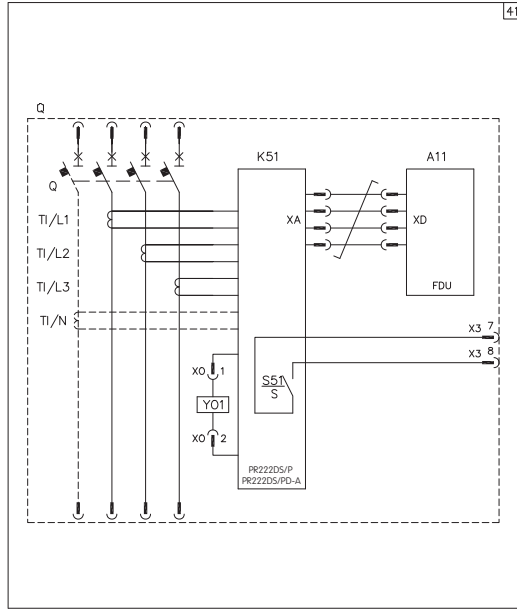


1SDC21009F0001

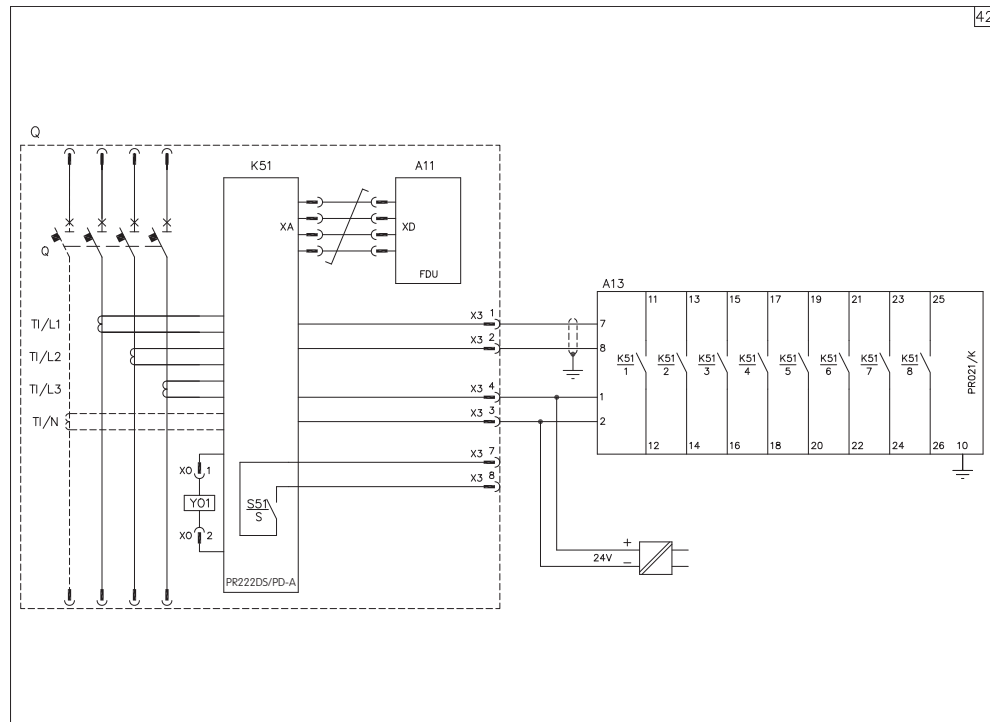
Wiring diagrams

Electrical accessories for T1, T2, T3, T4, T5, T6

PR222DS/P, PR222DS/PD-A electronic trip unit connected with the FDU front display unit

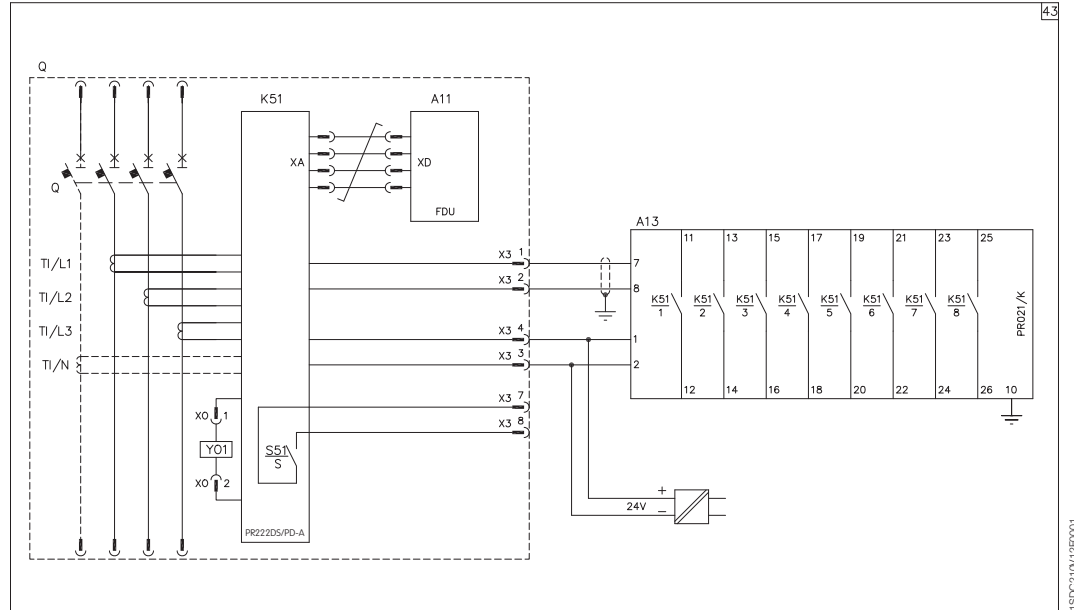


PR222DS/PD-A electronic trip unit connected with the PR021/K signalling unit

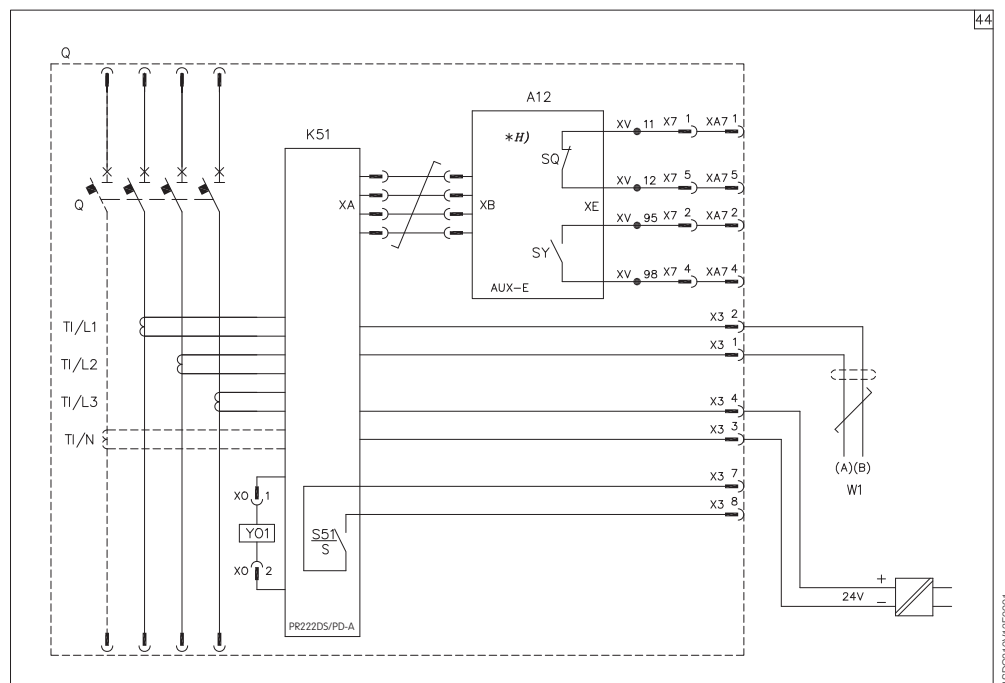


5

PR222DS/PD-A electronic trip unit connected with the FDU front display unit and the PR021/K signalling unit



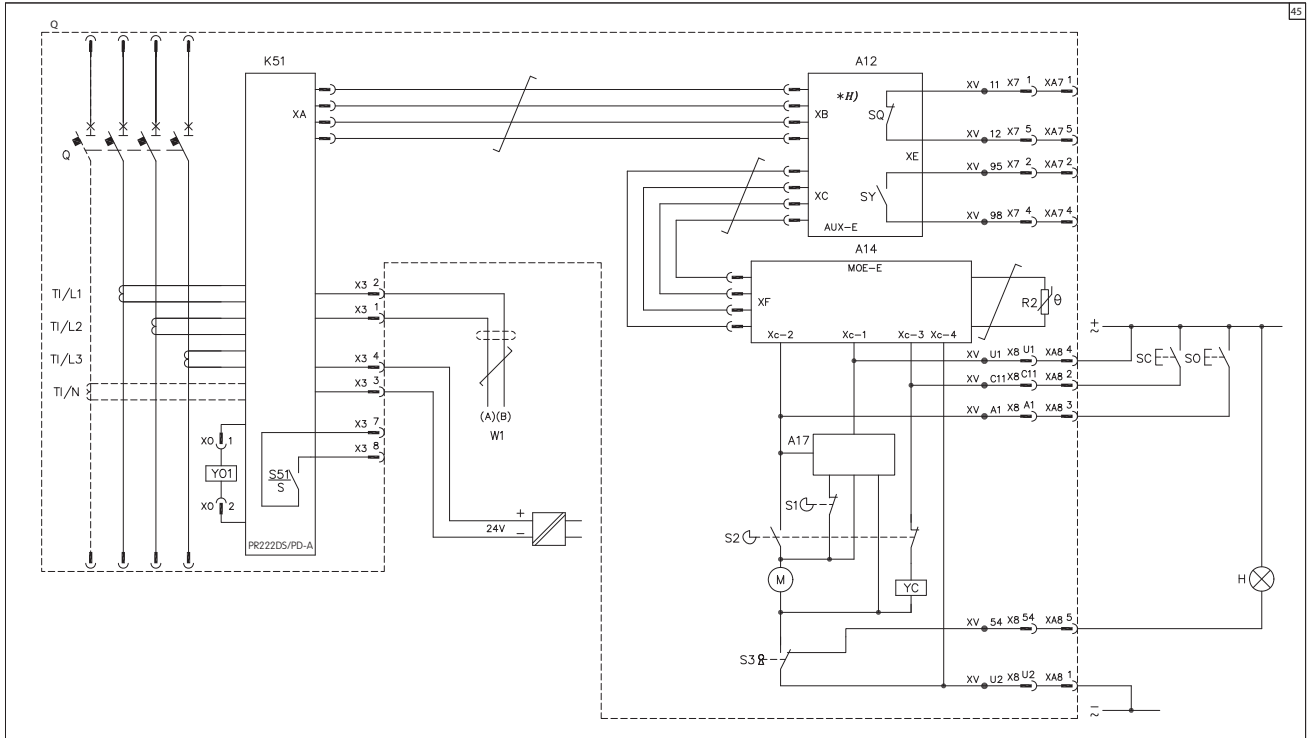
PR222DS/PD-A electronic trip unit connected with the AUX-E auxiliary contacts



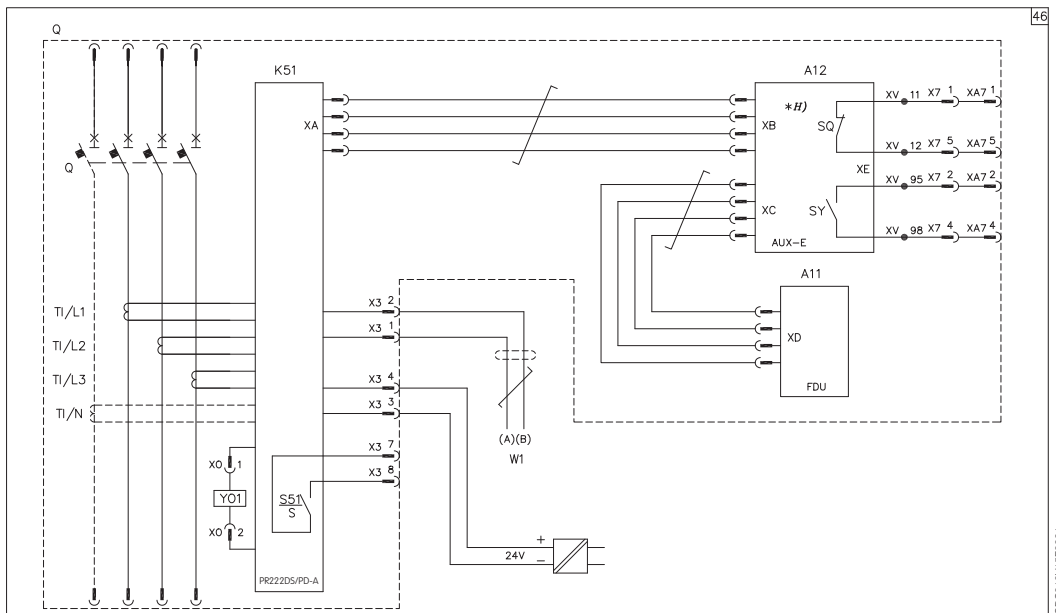
Wiring diagrams

Electrical accessories for T1, T2, T3, T4, T5, T6

PR222DS/PD-A electronic trip unit connected with the AUX-E auxiliary contacts and the MOE-E actuation unit



PR222DS/PD-A electronic trip unit connected with the FDU front display unit and with the AUX-E auxiliary contacts

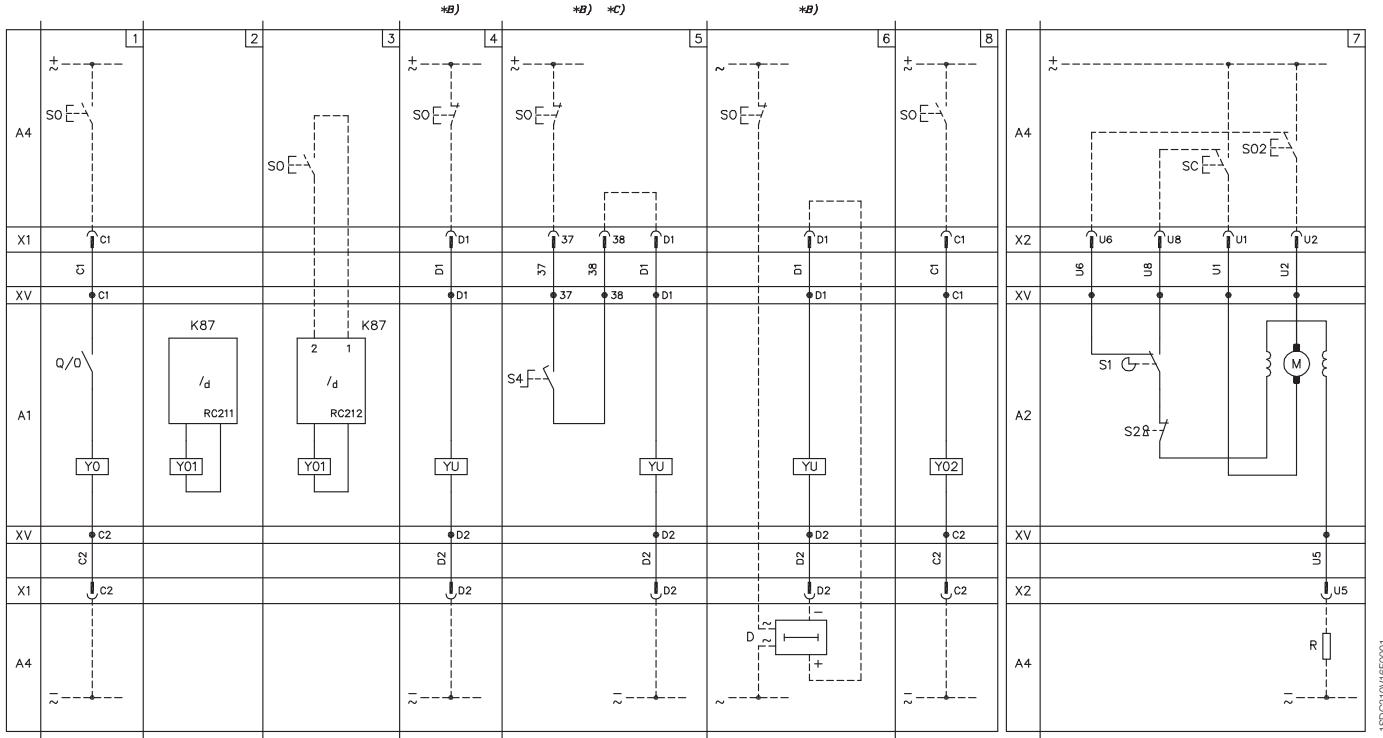


5

Wiring diagrams

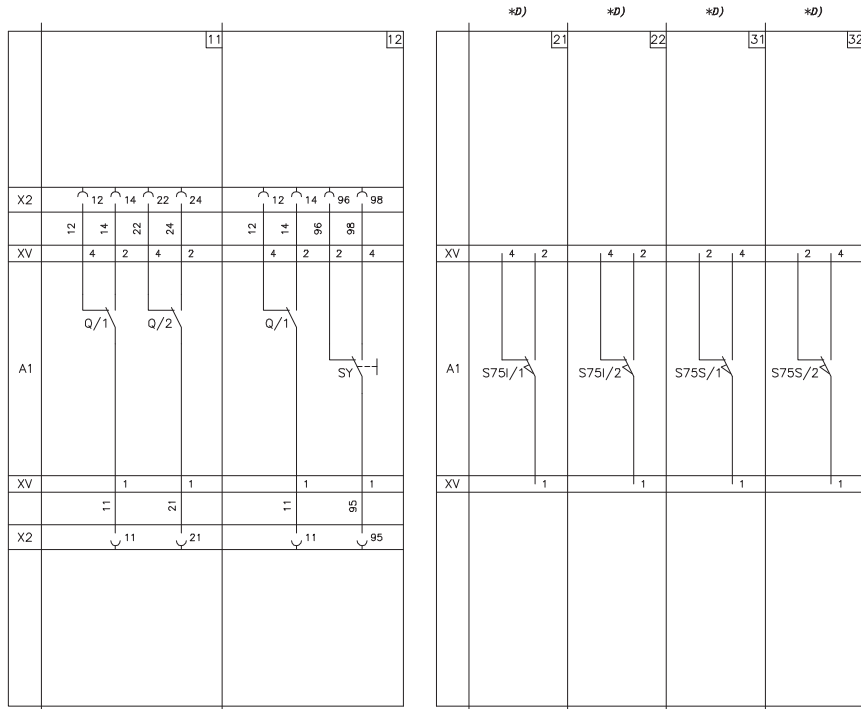
Electrical accessories for Ts3

Residual current releases, service releases and direct action motor operator



1SDC210V16FC001

Auxiliary contacts

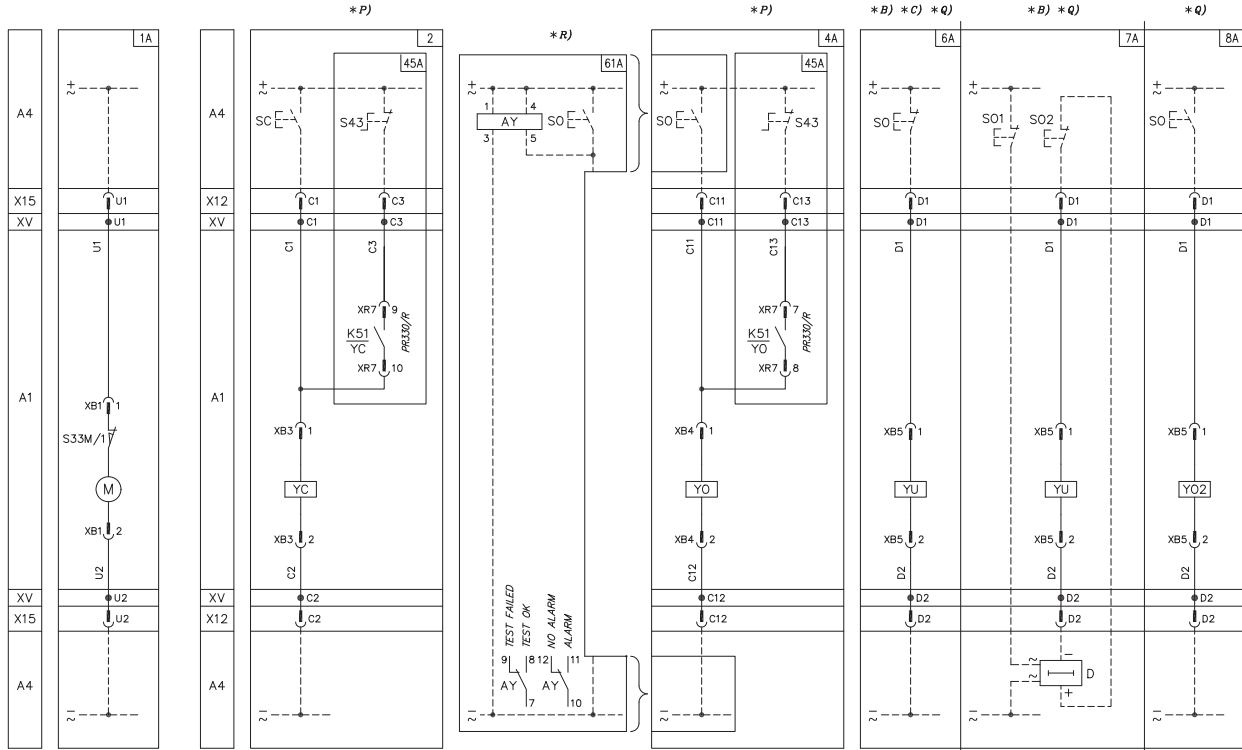


1SDC210V17FC001

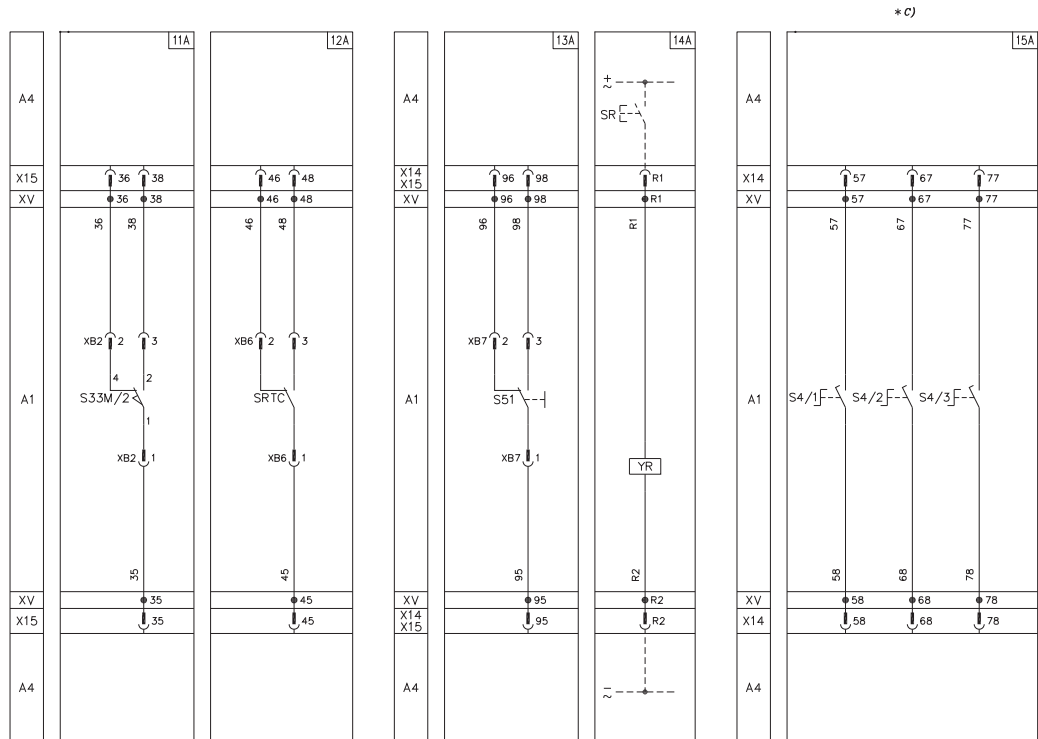
Wiring diagrams

Electrical accessories for T7

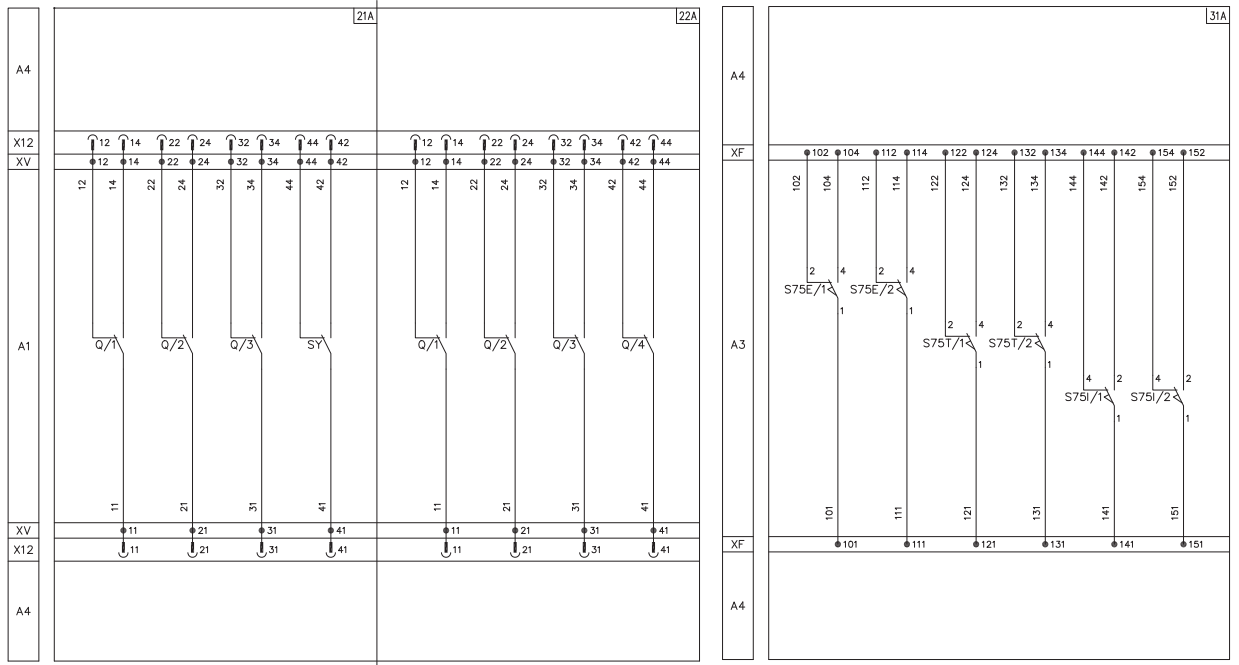
Motor operating mechanism, shunt trip, closing coil and undervoltage releases



Signalling contacts

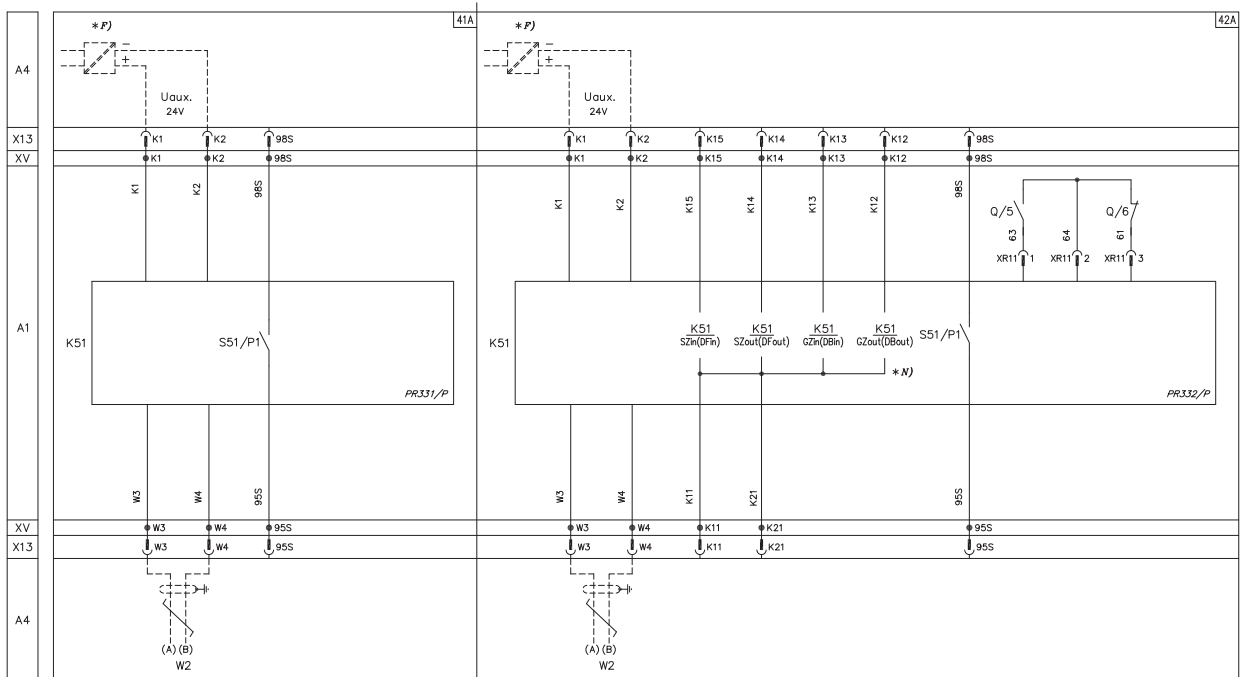


Signalling contacts



1SDC210G31F0001

Auxiliary circuits of the PR331/P and PR332/P trip units

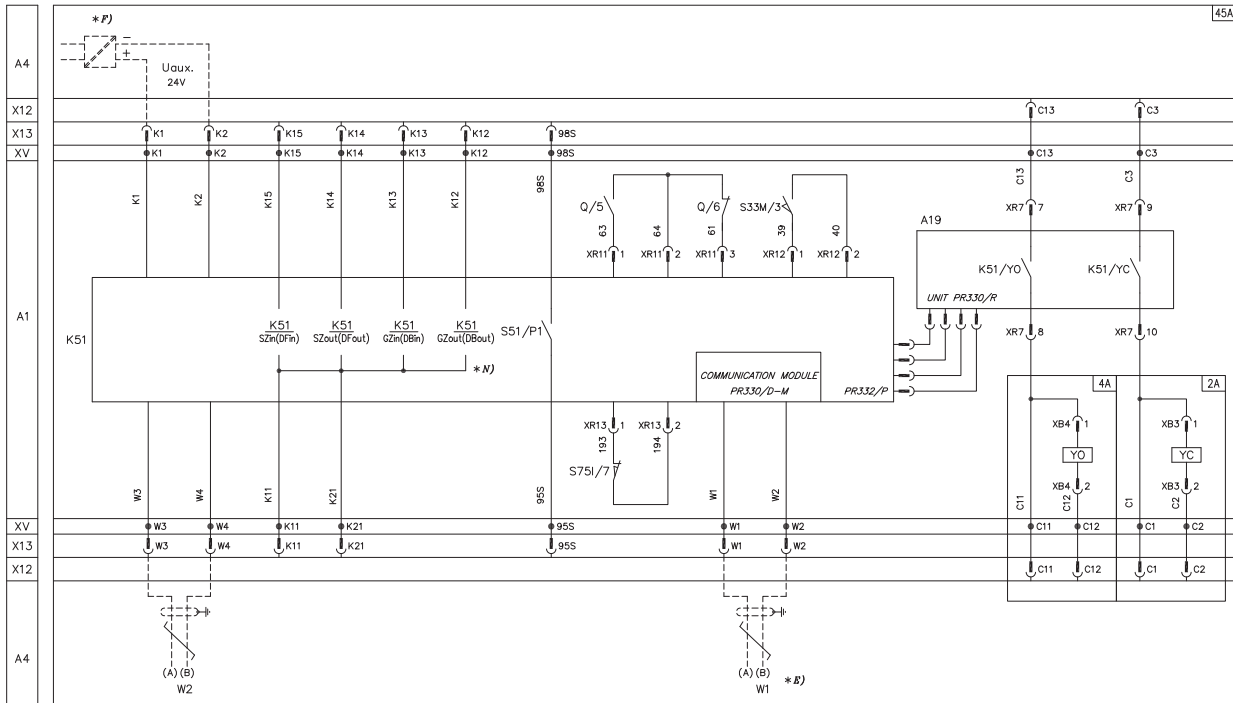


1SDC210G31F0001

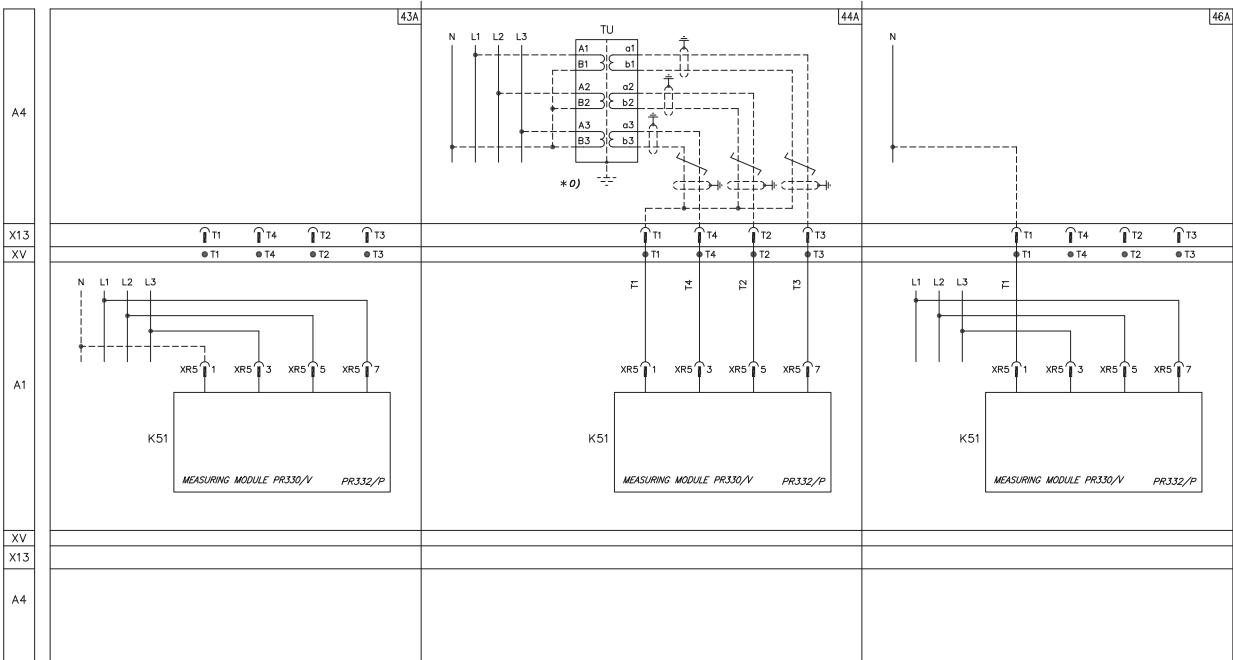
Wiring diagrams

Electrical accessories for T7

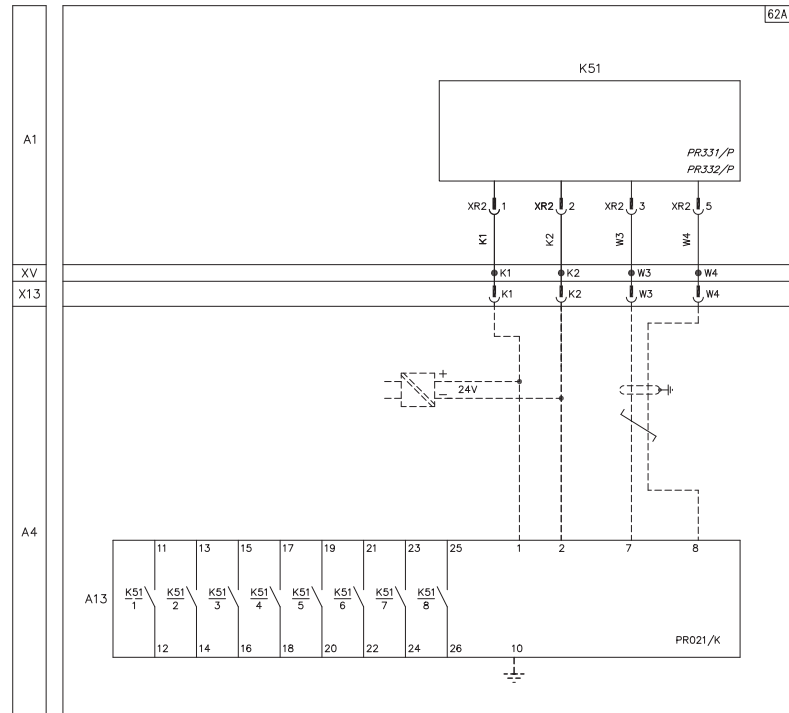
PR332/P electronic trip units connected to PR330/R actuation unit and PR330/D-M dialogue unit



Measuring module PR330/V



PR021/K signalling unit for PR331/P and PR332/P

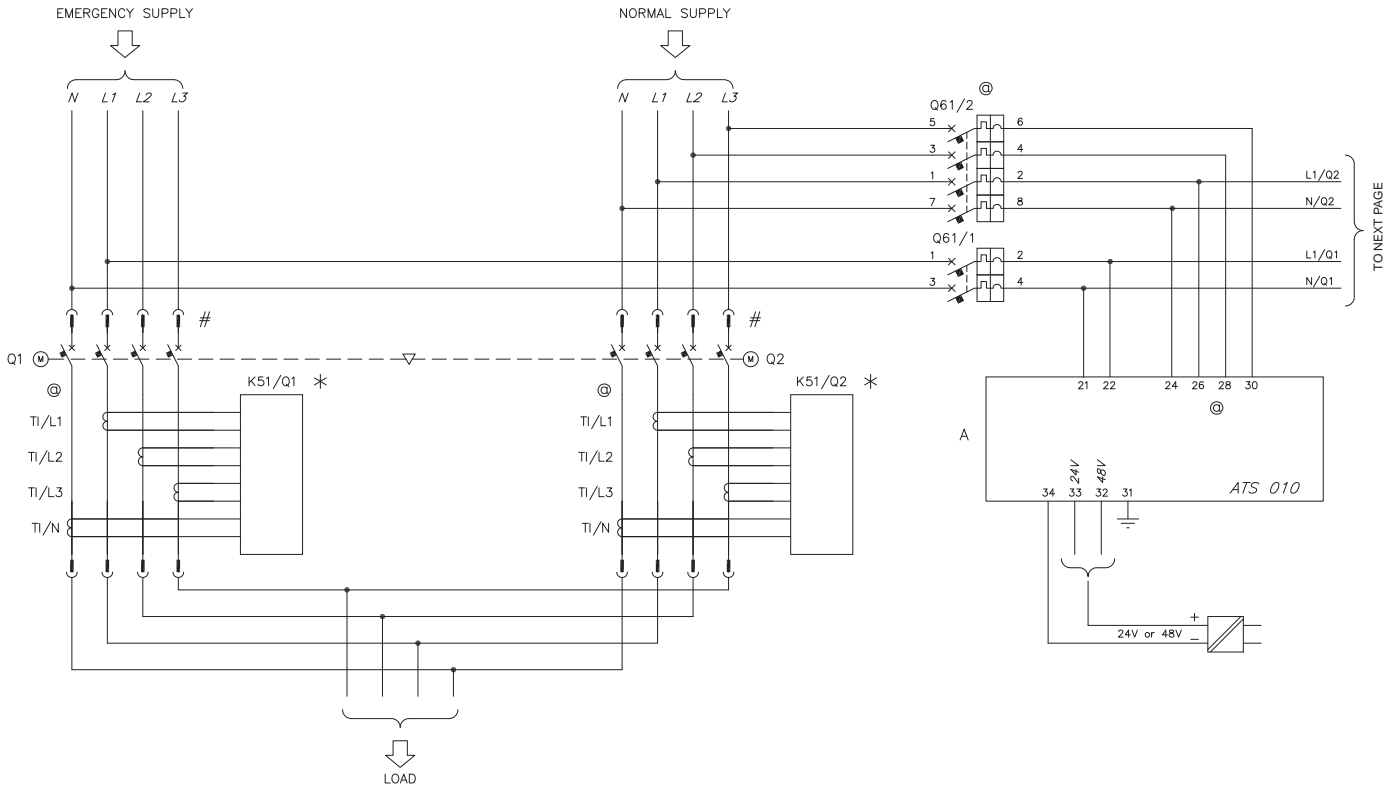


1SDC210224FDX01

Wiring diagrams

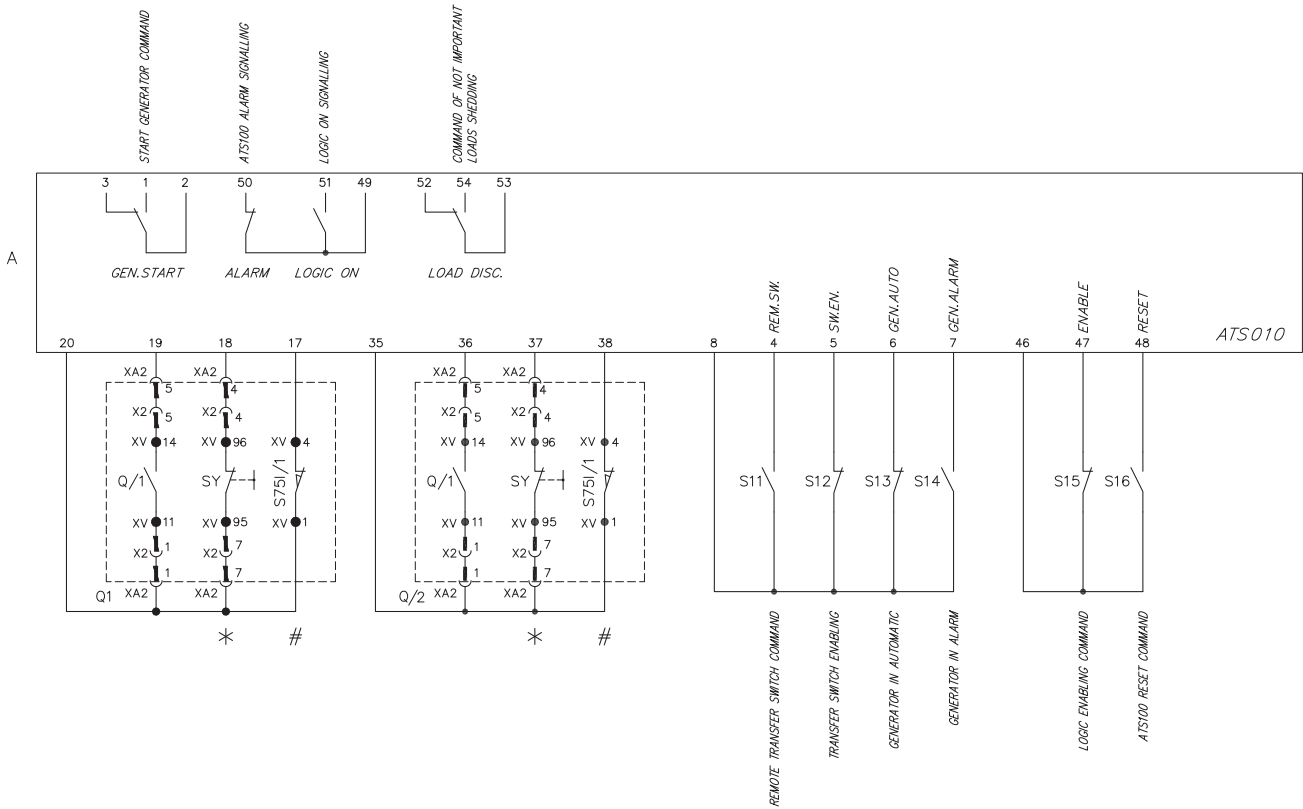
Automatic transfer-switch ATS010 for T4-T5-T6

ATS010 device for the automatic transfer switch of two T4-T5-T6 circuit breakers without safety auxiliary voltage supply

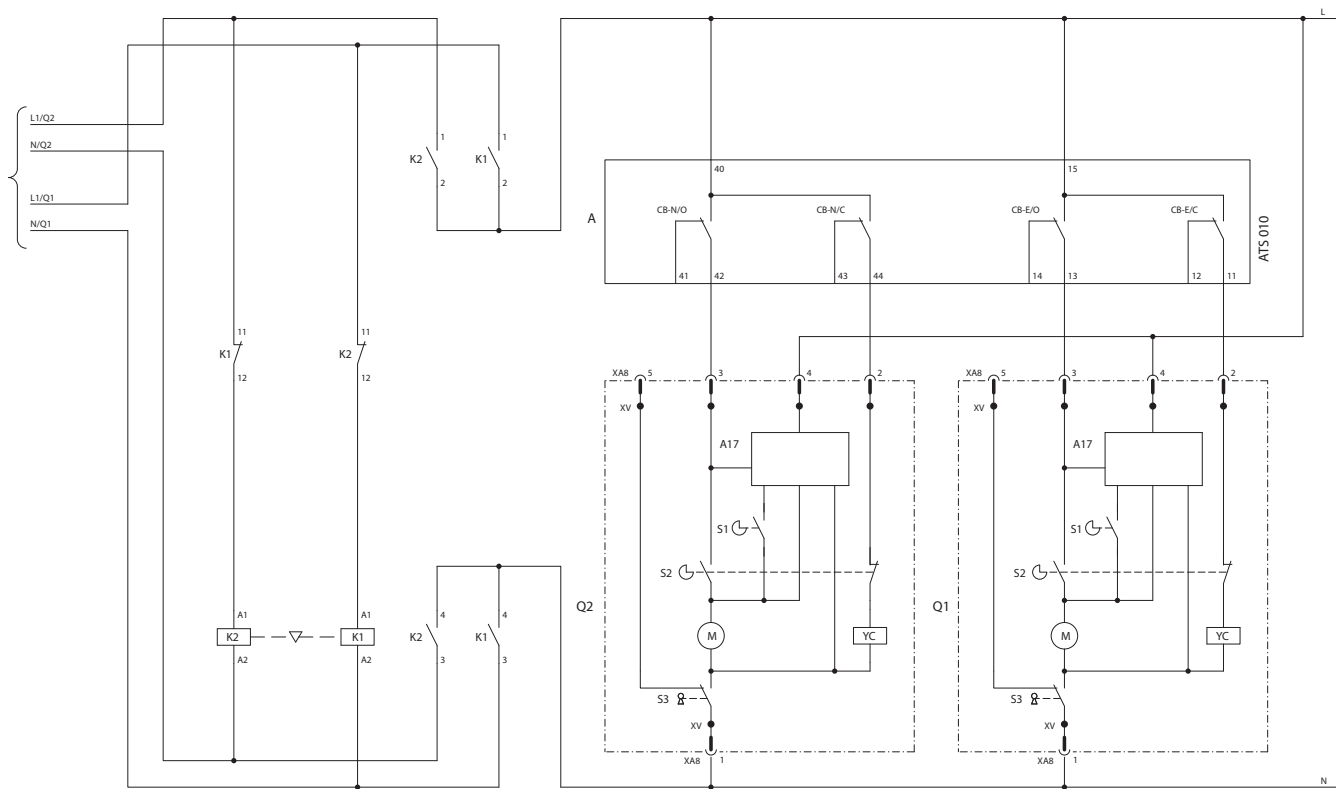


1SDC210021P0001

5



1SDC210022P0001

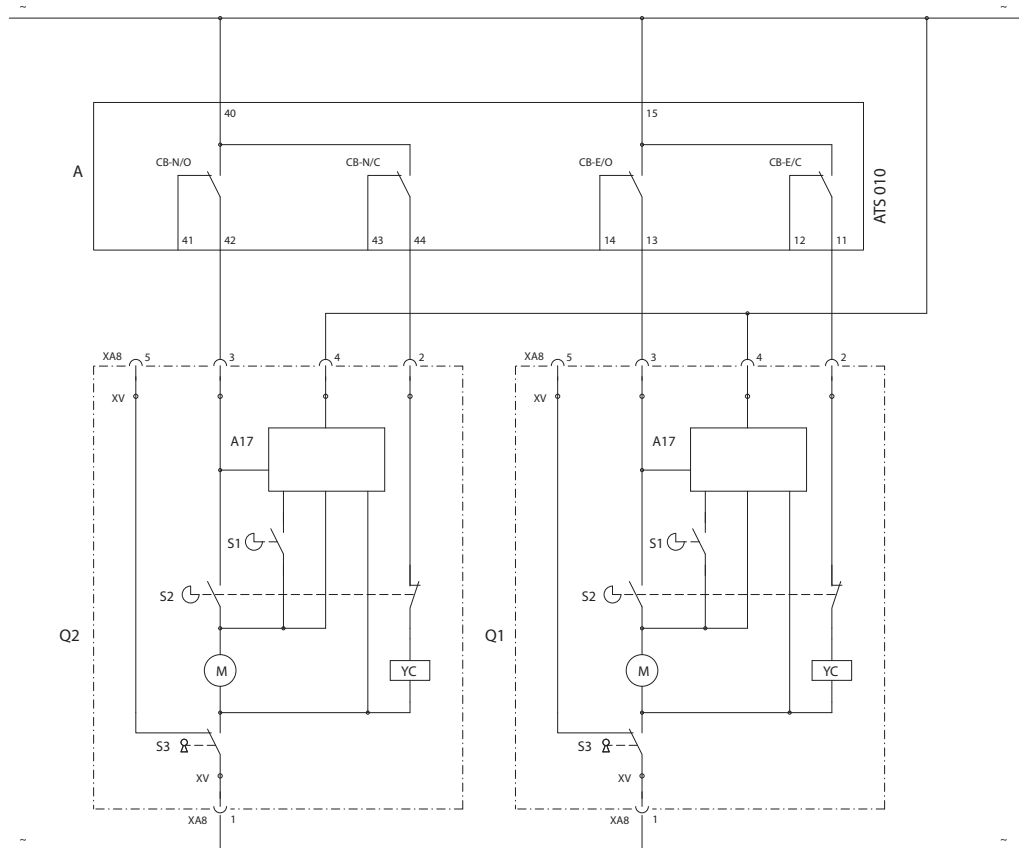


1SDC210028P0001

Wiring diagrams

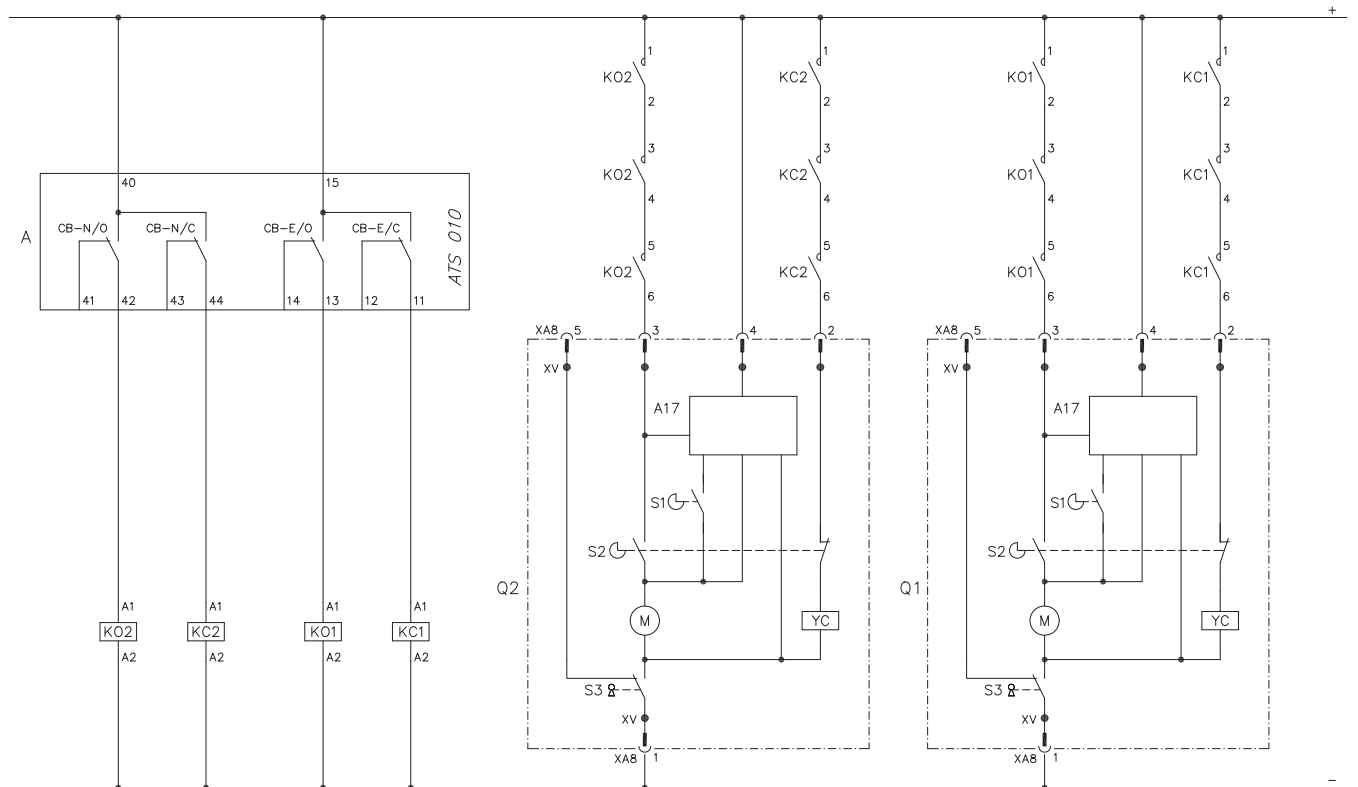
Automatic transfer-switch ATS010 for T4-T5-T6

ATS010 device for the automatic transfer switch of two T4-T5-T6 circuit breakers with safety auxiliary voltage supply in alternating current (AC)



1SDC210G24F0001

ATS010 device for the automatic transfer switch of the two T4-T5-T6 circuit breakers without safety auxiliary voltage supply

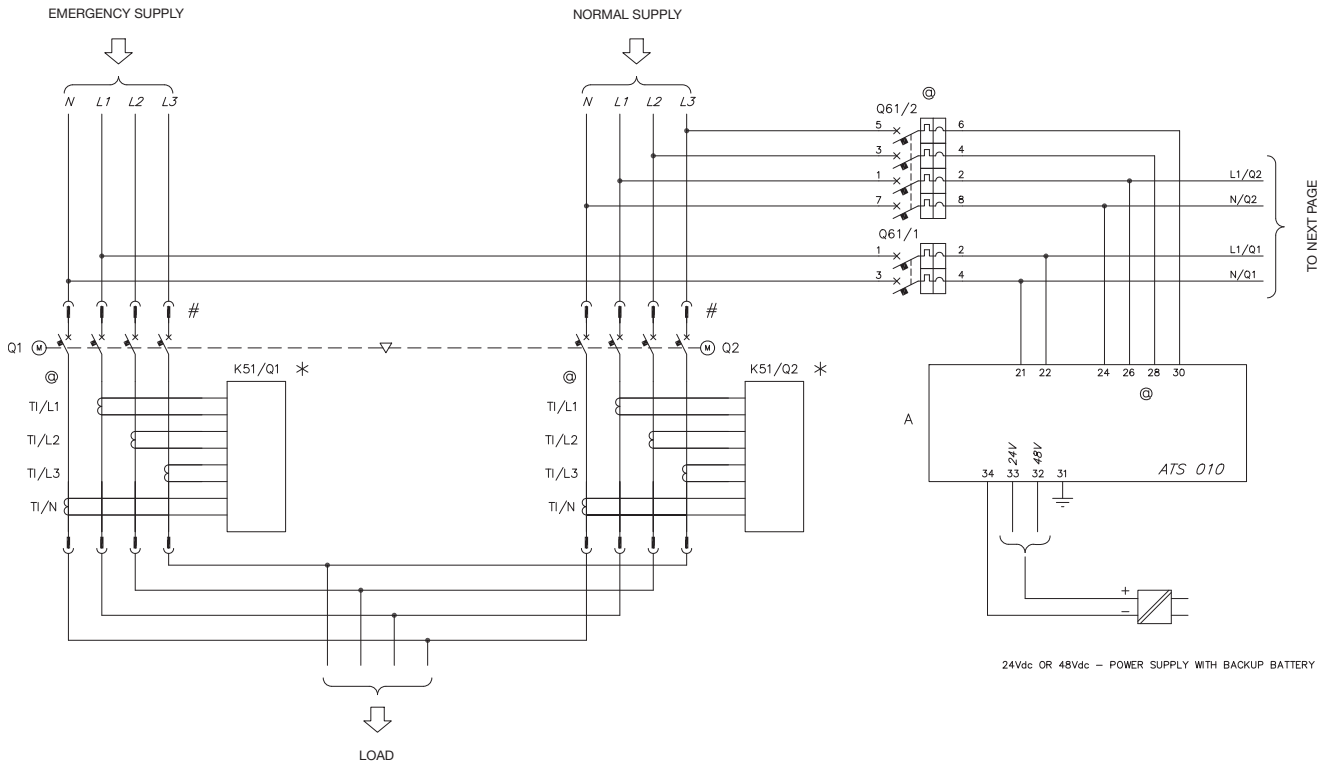


1SDC210034F0001

Wiring diagrams

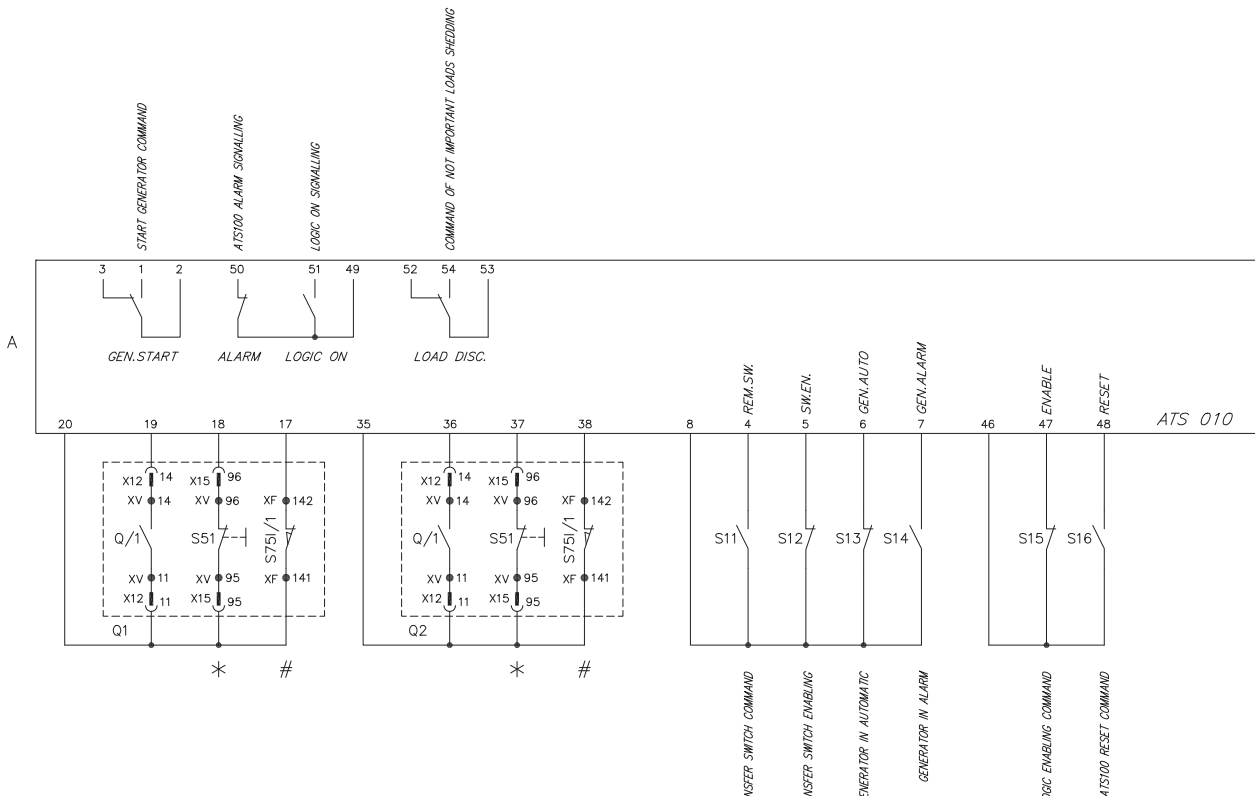
Automatic transfer-switch ATS010 for T7

Automatic transfer-switch ATS010 for the automatic transfer switch of the two T7 circuit breakers, without safety auxiliary voltage supply

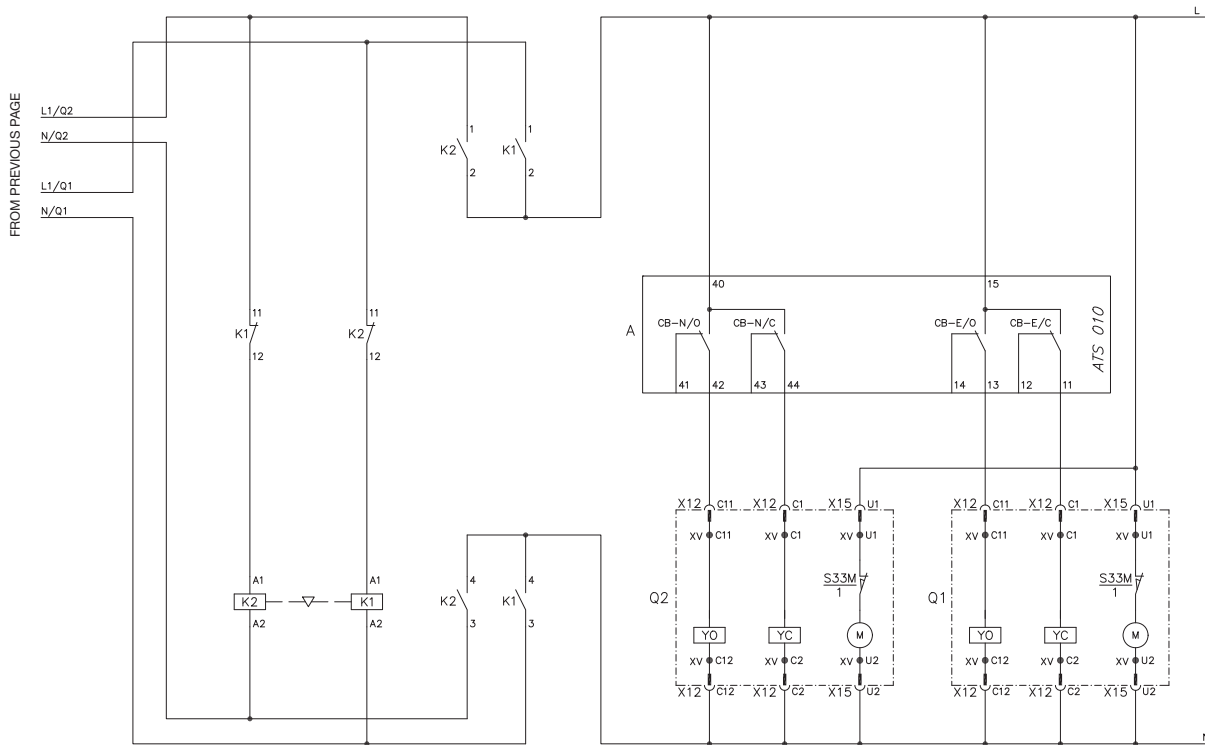


1SDC210337F001

5



1SDC210337F001

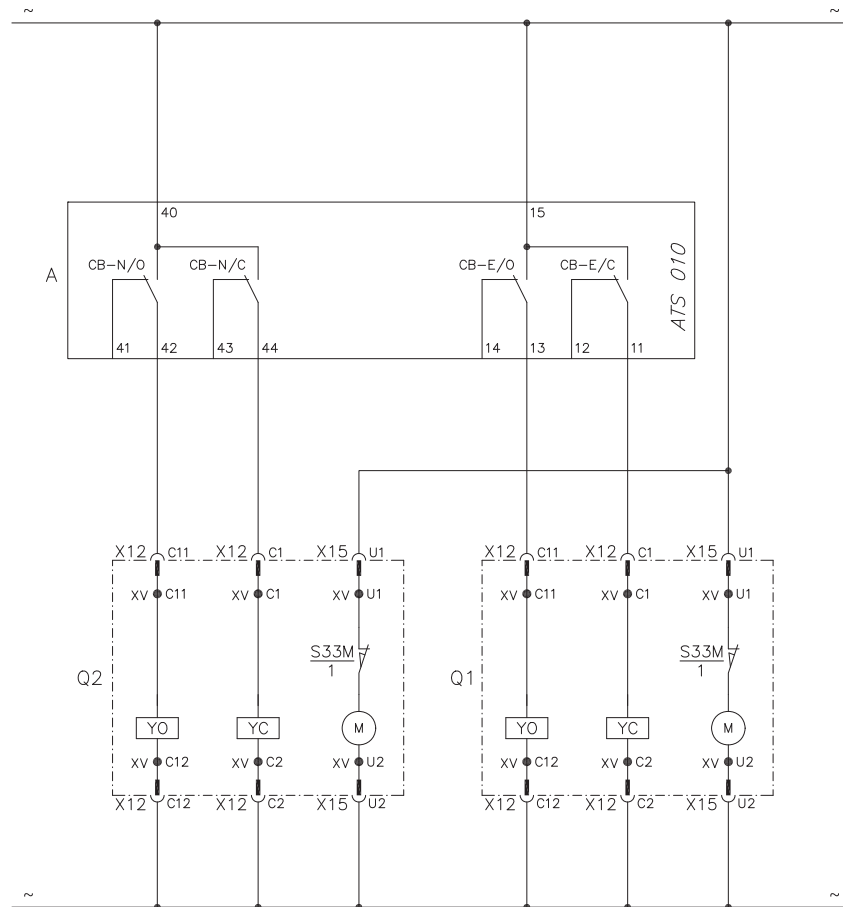


1SDC210023D0201

Wiring diagrams

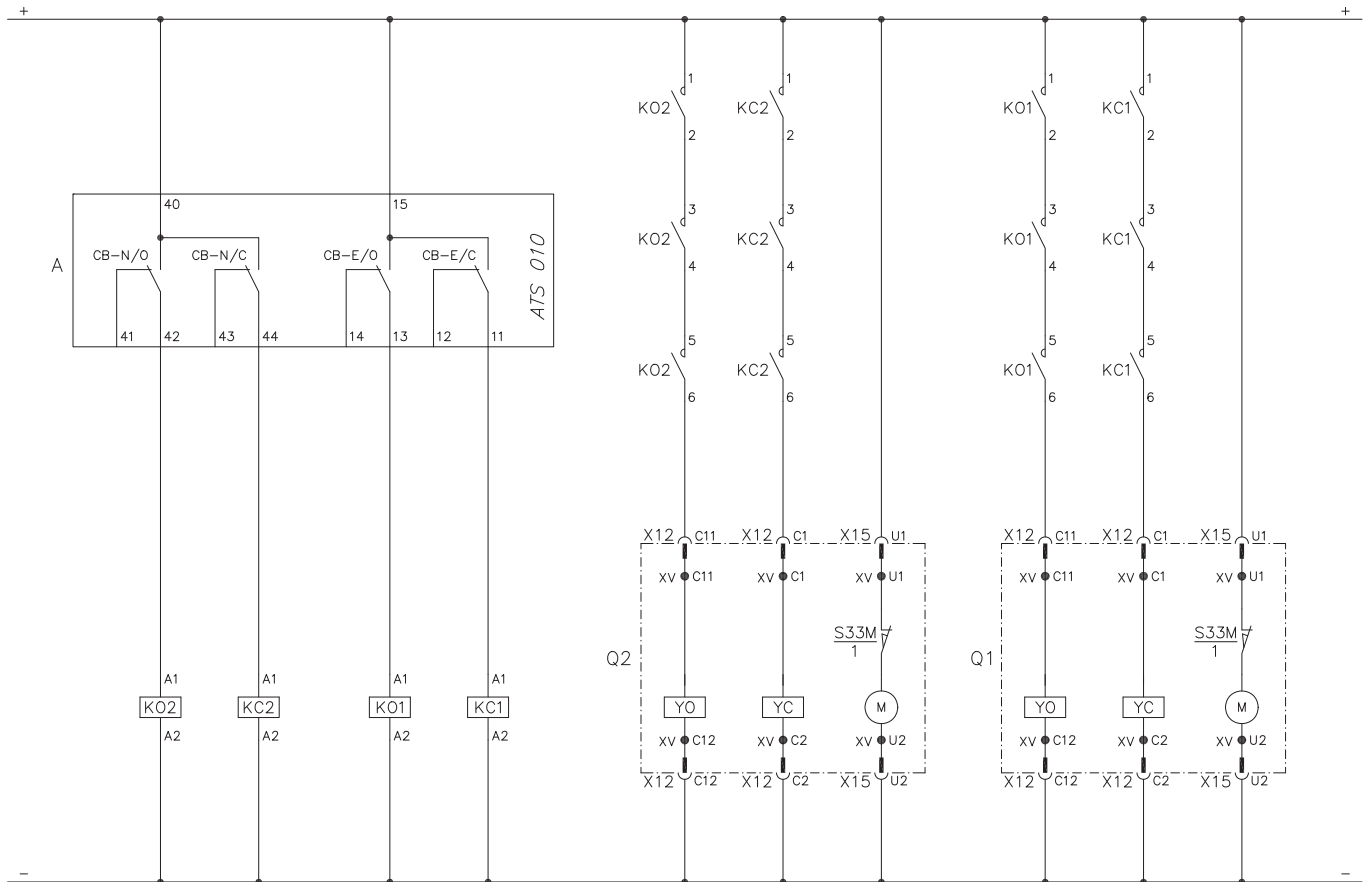
Automatic transfer-switch ATS010 for T7

Automatic transfer-switch ATS010 for the automatic transfer switch of the two T7 circuit breakers, with safety auxiliary voltage supply in alternating current (AC)



1SDC210C38F001

Automatic transfer-switch ATS010 for the automatic transfer switch of the two T7 circuit breakers, with safety auxiliary voltage supply in direct current (DC)



1SDC210039F0001



Index

Fixed circuit breaker and terminals

Tmax T1 and single-pole Tmax T1	6/2
Tmax T2.....	6/4
Tmax T3.....	6/7
Tmax Ts3	6/10
Tmax T4.....	6/13
Tmax T5.....	6/16
Tmax T6.....	6/20
Tmax T7.....	6/24
Tmax T7M	6/29

Plug-in circuit breaker and terminals

Tmax T2.....	6/34
Tmax T3.....	6/37
Tmax Ts3	6/40
Tmax T4.....	6/42
Tmax T5.....	6/45

Draw out circuit breaker and terminals

Tmax Ts3	6/48
Tmax T4.....	6/50
Tmax T5.....	6/52
Tmax T6.....	6/55
Tmax T7.....	6/57
Tmax T7M	6/59
Circuit breaker with residual current release	6/61

Accessories

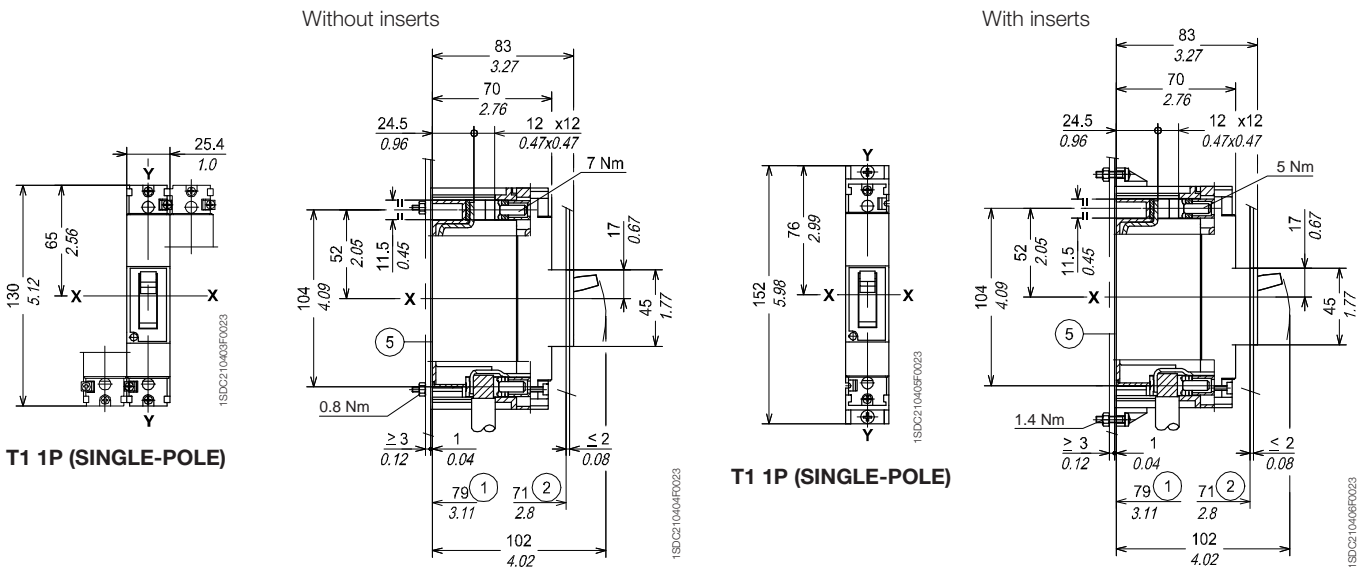
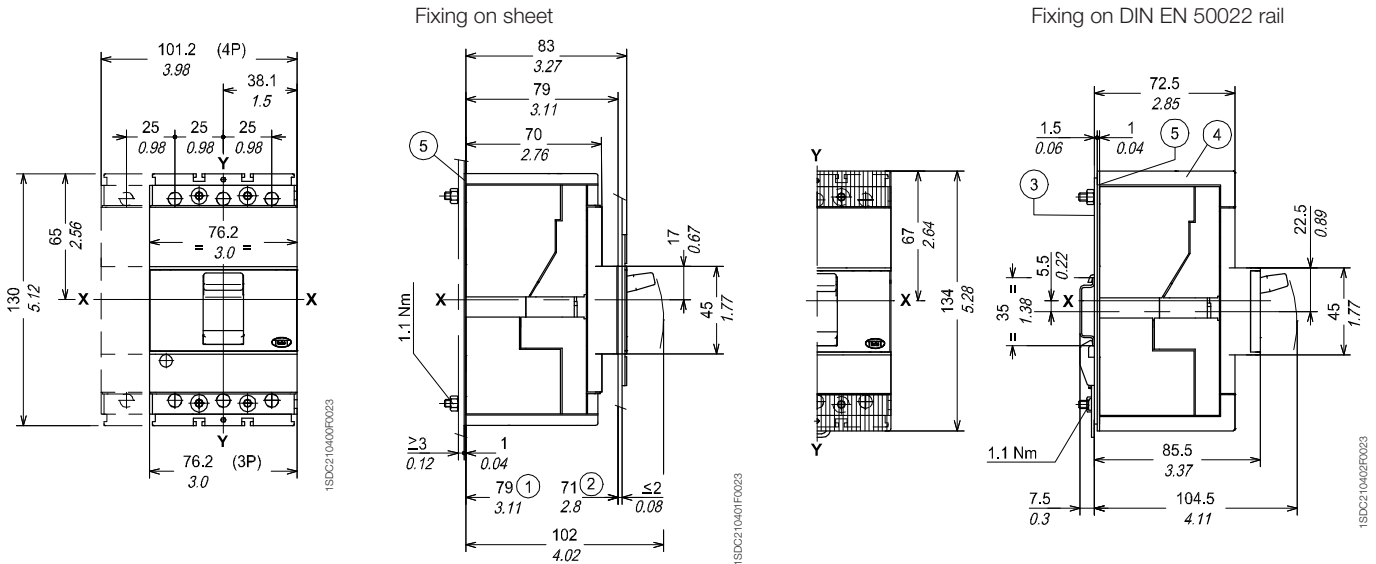
Tmax T1 - T2 - T3.....	6/70
Tmax Ts3	6/78
Tmax T4 - T5.....	6/82
Tmax T6.....	6/89
Tmax T7.....	6/94

Distances to be respected	6/99
---------------------------------	------

Overall dimensions

Tmax T1 and single-pole Tmax T1

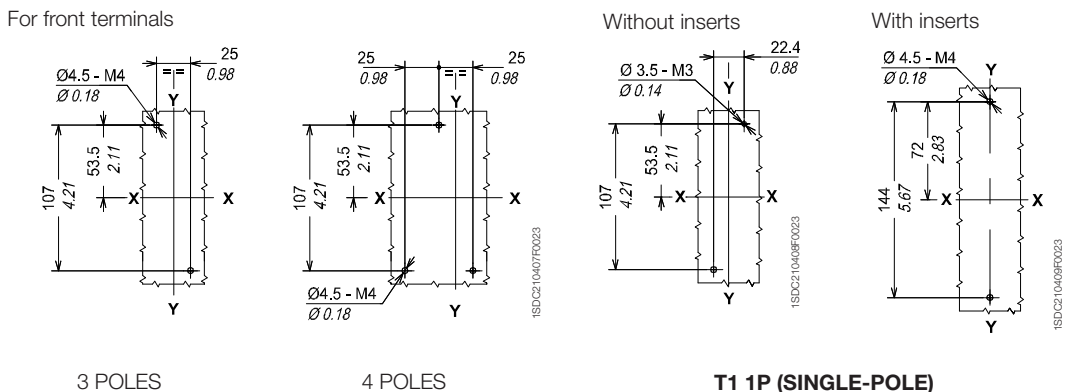
Fixed circuit breaker



Caption

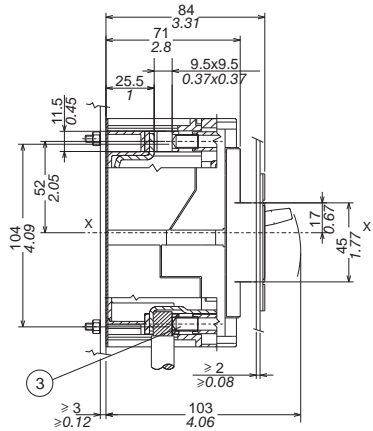
- ① Depth of the switchboard in the case of circuit breaker with face not extending from the compartment door, with or without flange
- ② Depth of the switchboard in the case of circuit breaker with face extending from the compartment door, without flange
- ③ Bracket for fixing onto rail
- ④ Bottom terminal covers with IP40 degree of protection
- ⑤ Insulating plate

Drilling templates for support sheet

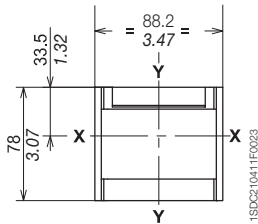


Terminals

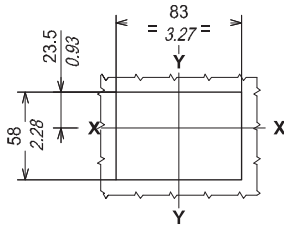
Front for copper/aluminium cables - FC CuAl



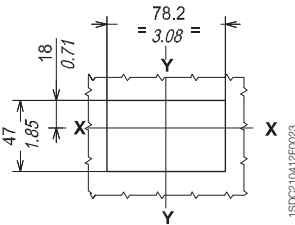
Flange for the compartment door



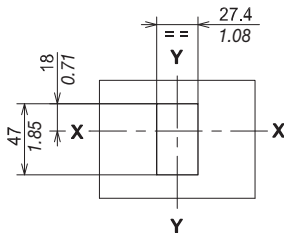
Drilling templates of the compartment door



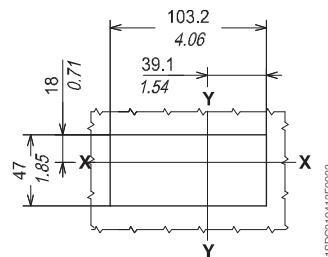
With flange and circuit breaker face flush with door (3-4 POLES)



Without flange and circuit breaker face flush with door (3-4 POLES) or extending (3 POLES)



(SINGLE-POLE)



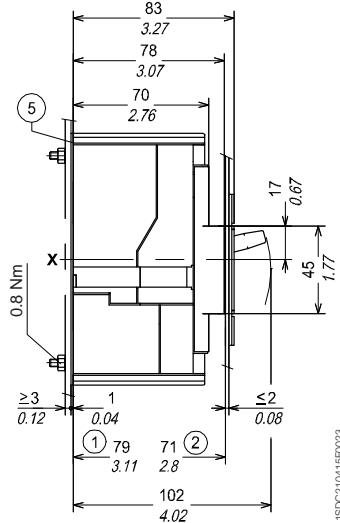
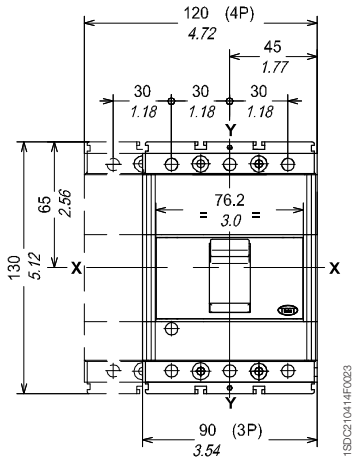
Without flange and circuit breaker face extending (4 POLES)

Overall dimensions

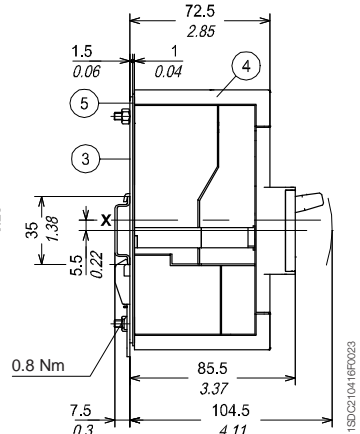
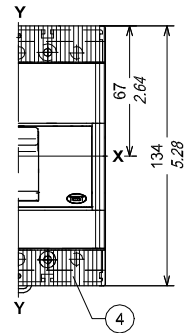
Tmax T2

Fixed circuit breaker

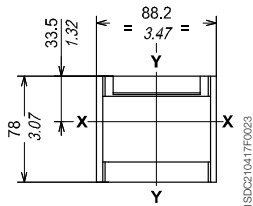
Fixing on sheet



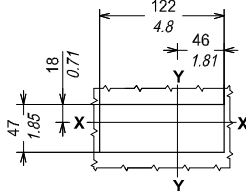
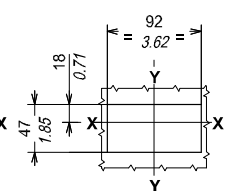
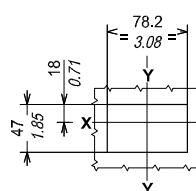
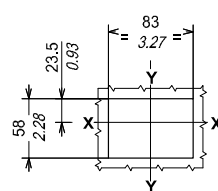
Fixing on DIN EN 50022 rail



Flange for the compartment door



Drilling templates of the compartment door



With flange and circuit breaker face flush with door (3-4 POLES)

Without flange and circuit breaker face flush with door (3-4 POLES)

Without flange and circuit breaker face extending (3 POLES)

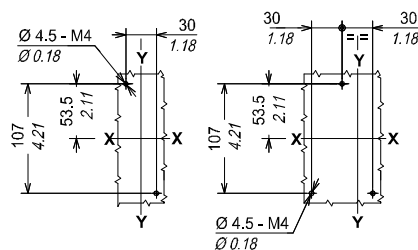
Without flange and circuit breaker face extending (4 POLES)

Caption

- ① Depth of the switchboard in the case of circuit breaker with face not extending from the compartment door, with or without flange
- ② Depth of the switchboard in the case of circuit breaker with face extending from the compartment door, without flange
- ③ Bracket for fixing onto rail
- ④ Low terminal covers with degree of protection IP40
- ⑤ Insulating plate

Drilling templates for support sheet

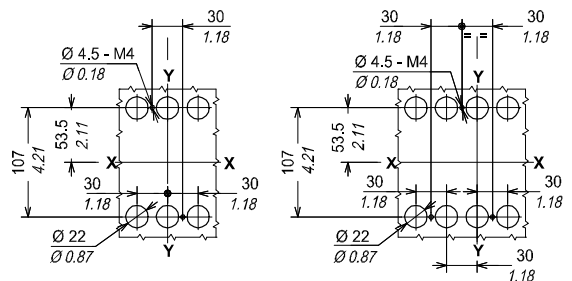
For front terminals



3 POLES

4 POLES

For rear terminals



3 POLES

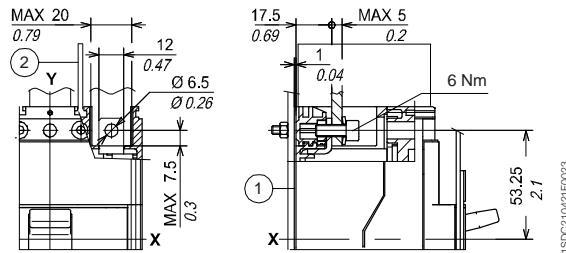
4 POLES

Terminals

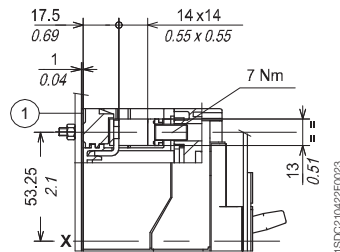
Caption

- ① Insulating base plate (compulsory)
- ② Insulating barriers between phases (compulsory)

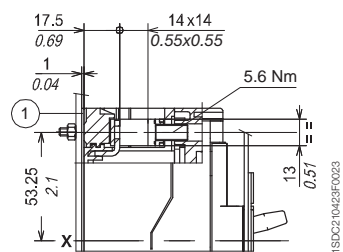
Front - F



Front for copper cables - FC Cu



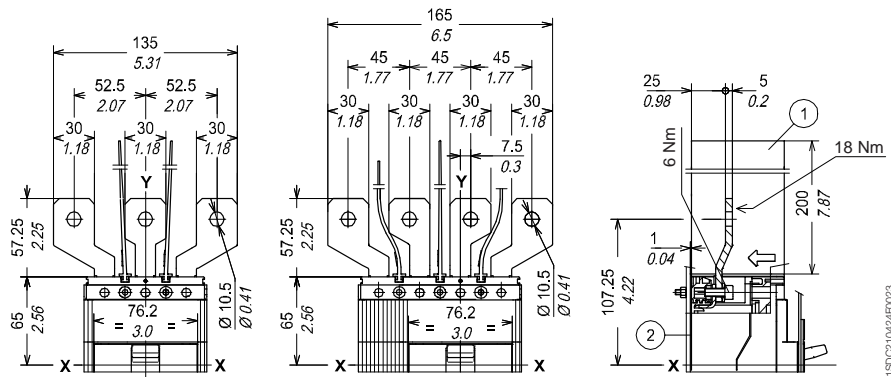
Front for copper/aluminium cables - FC CuAl 1/0 AWG/50 mm²



Caption

- ① Insulating barriers between phases (compulsory)
- ② Insulating plate

Front extended spread - ES



Overall dimensions

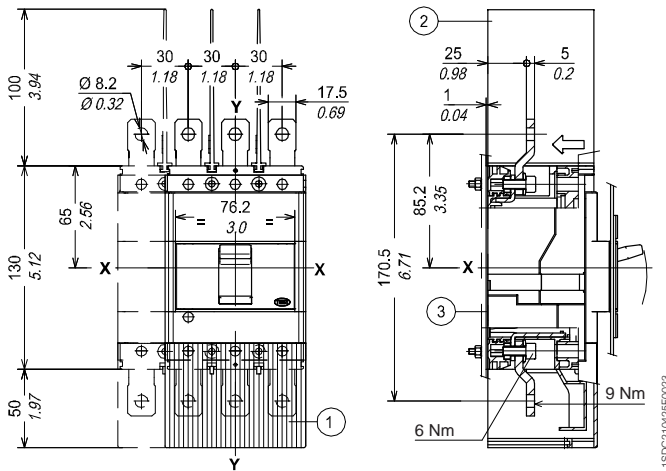
Tmax T2

Terminals

Caption

- ① High terminal covers with degree of protection IP40
- ② Insulating barriers between phases (compulsory with-out 1)

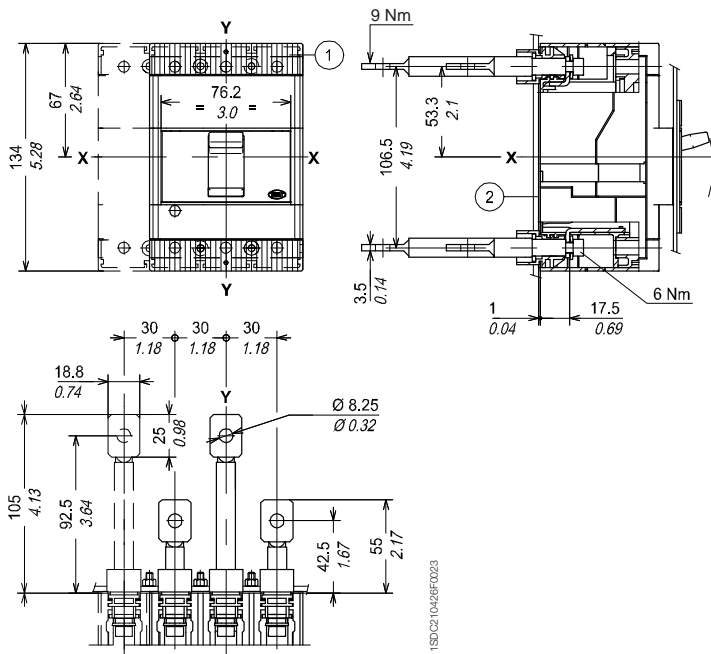
Front extended - EF



Caption

- ① Low terminal covers with degree of protection IP40
- ② Insulating barriers between phases

Rear - R

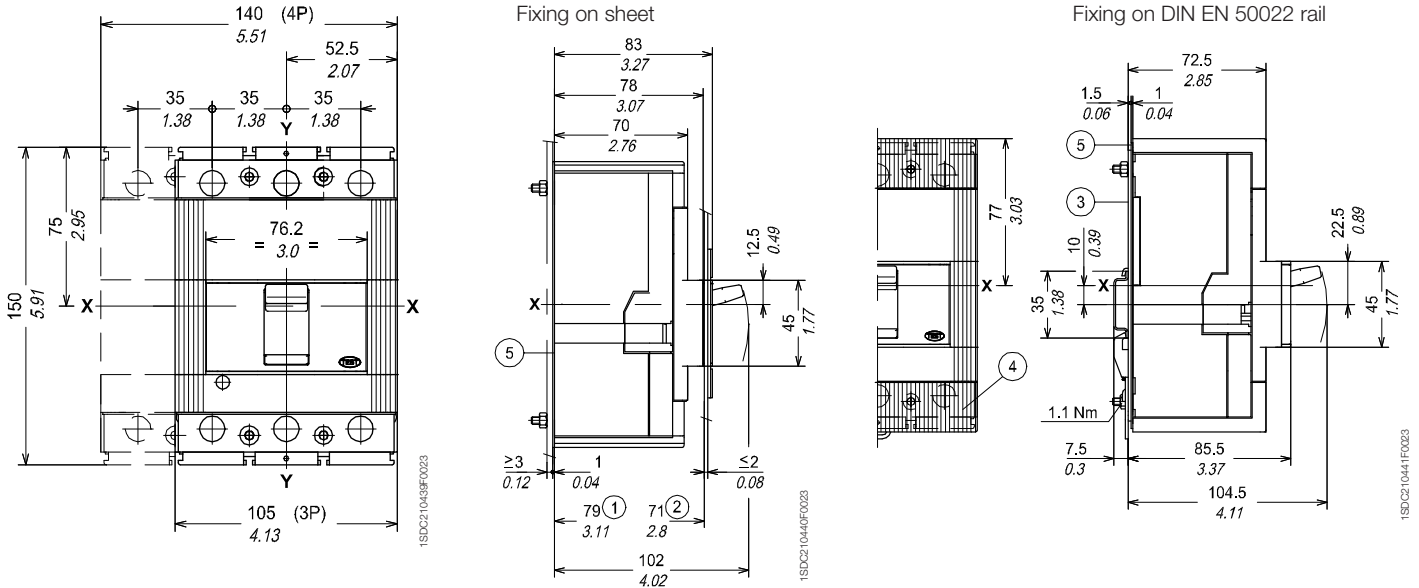


6

Overall dimensions

Tmax T3

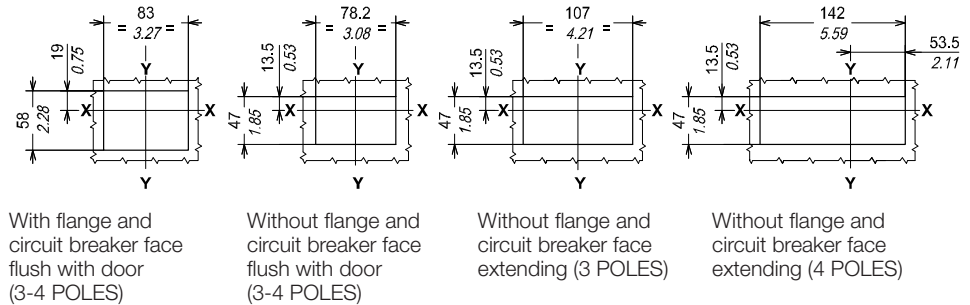
Fixed circuit breaker



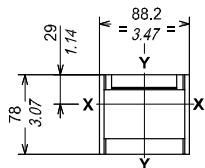
Caption

- ① Depth of the switchboard in the case of circuit breaker with face not extending from the compartment door, with or without flange
- ② Depth of the switchboard in the case of circuit breaker with face extending from the compartment door
- ③ Bracket for fixing on rail
- ④ Low terminal covers with degree of protection IP40
- ⑤ Insulating plate

Drilling templates of the compartment door

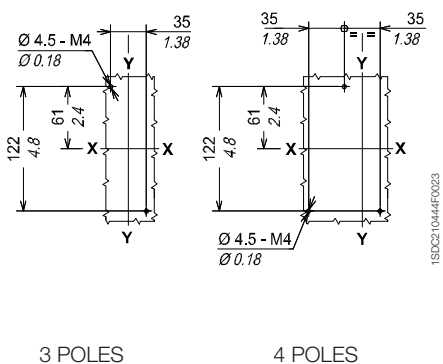


Flange for compartment door

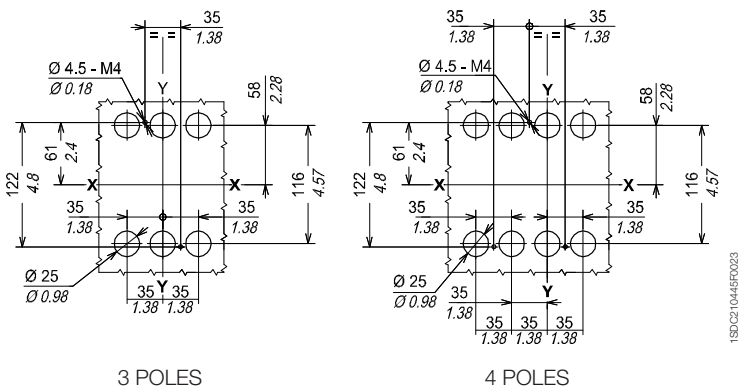


Drilling templates for support sheet

For front terminals



For rear terminals



Overall dimensions

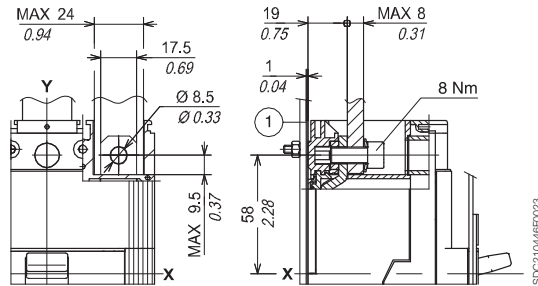
Tmax T3

Terminals

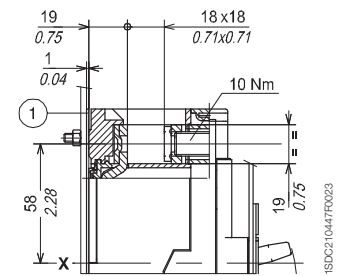
Caption

- ① Insulating base plate (compulsory)

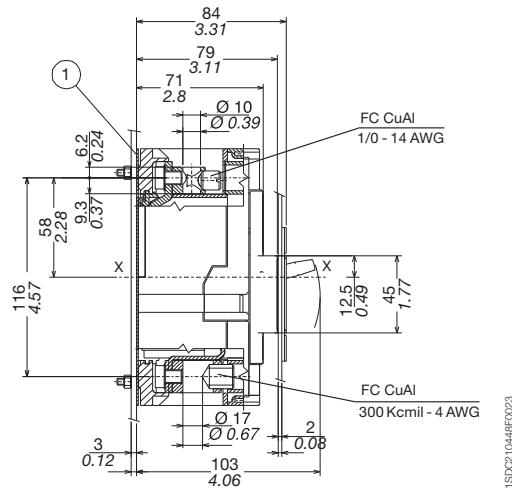
Front - F



Front for copper cables - FC Cu



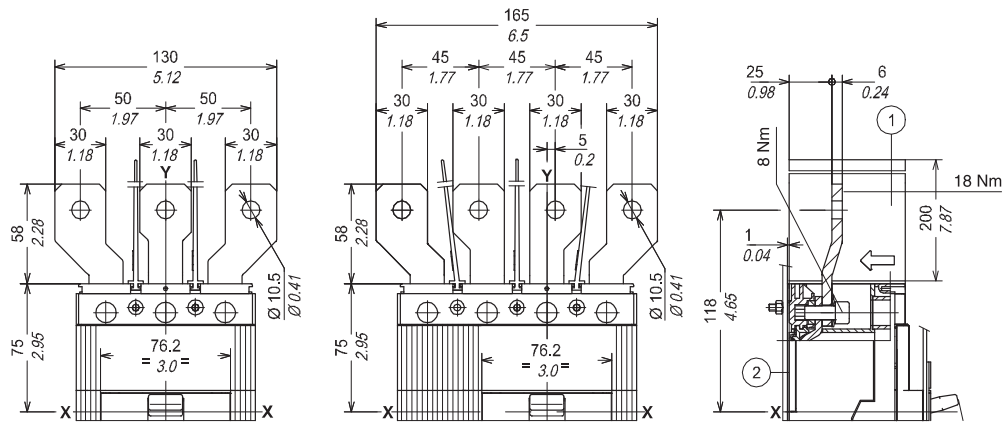
Front for copper/aluminium cables - FC CuAl 185 mm²



Caption

- ① Insulating barriers between phases (compulsory)
- ② Insulating plate

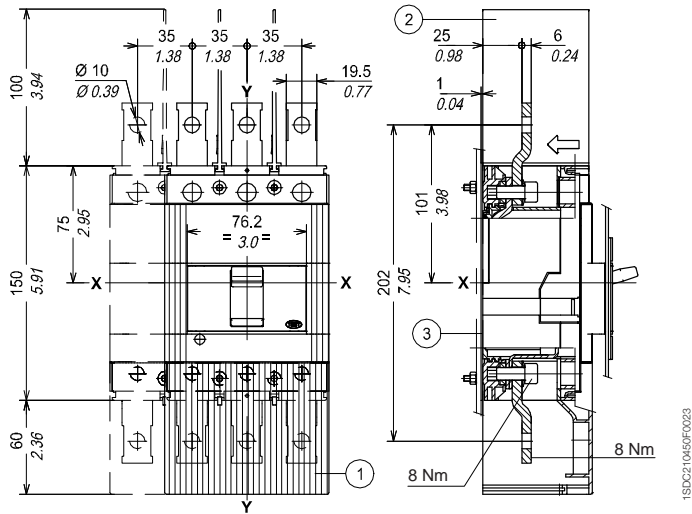
Front extended spread - ES



Caption

- ① High terminal covers with degree of protection IP40
- ② Insulating barriers between phases (compulsory without 1)
- ③ Insulating plate

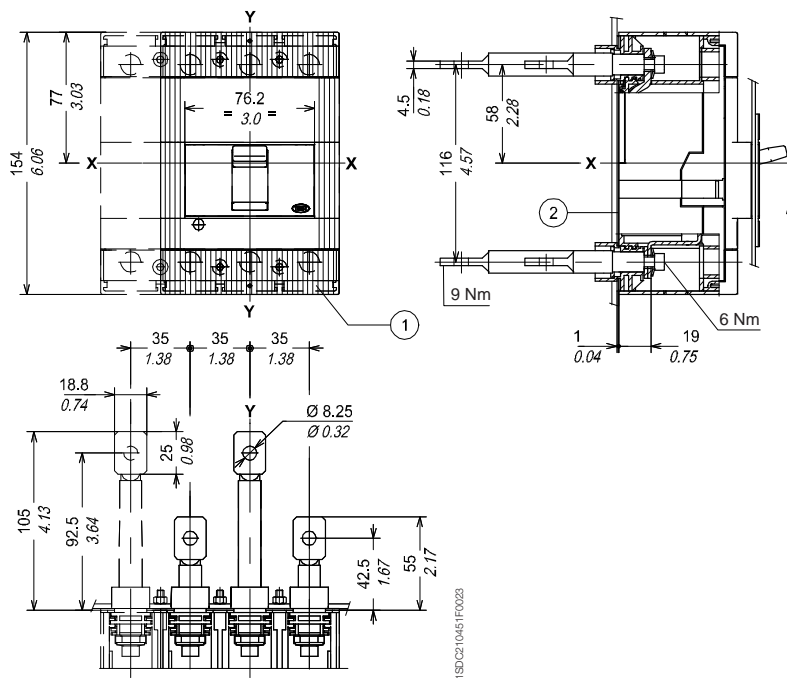
Front extended - EF



Caption

- ① Low terminal covers with degree of protection IP40
- ② Insulating plate

Rear - R



Overall dimensions

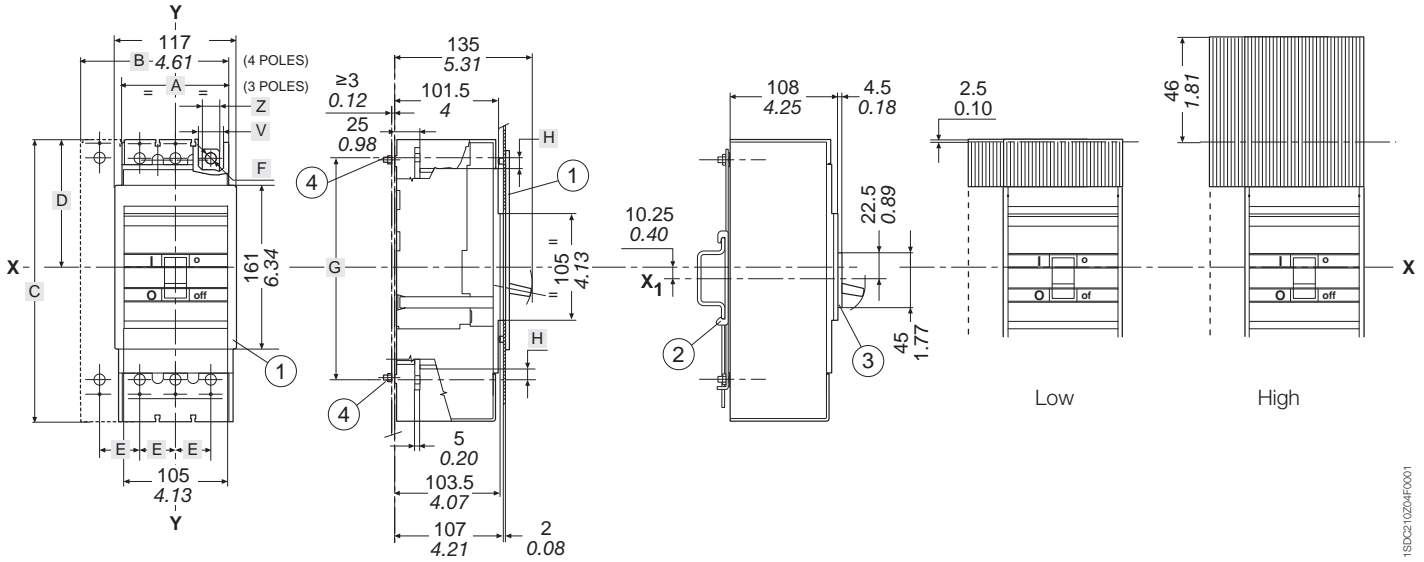
Tmax Ts3

Fixed circuit breaker

Mounting on sheet metal

Mounting on
DIN EN 50023 channel

Terminal covers
(to order when not included in supply)



Caption

- ① Flange for compartment door
- ② Bracket for mounting on DIN EN 50023 channel
- ③ 1.77" (45 mm) front flange
- ④ Tightening torque 2 Nm

	A	B	C	D	E	F	G	H	I	L	V	Z
Ts3	105 4.13	140 5.51	170 6.69	87.25 3.44	35 1.38	Ø 8 Ø 0.31	143 5.63	10 0.39	73.75 2.90	18x18 0.71x0.71	24 0.94	17.5 0.69

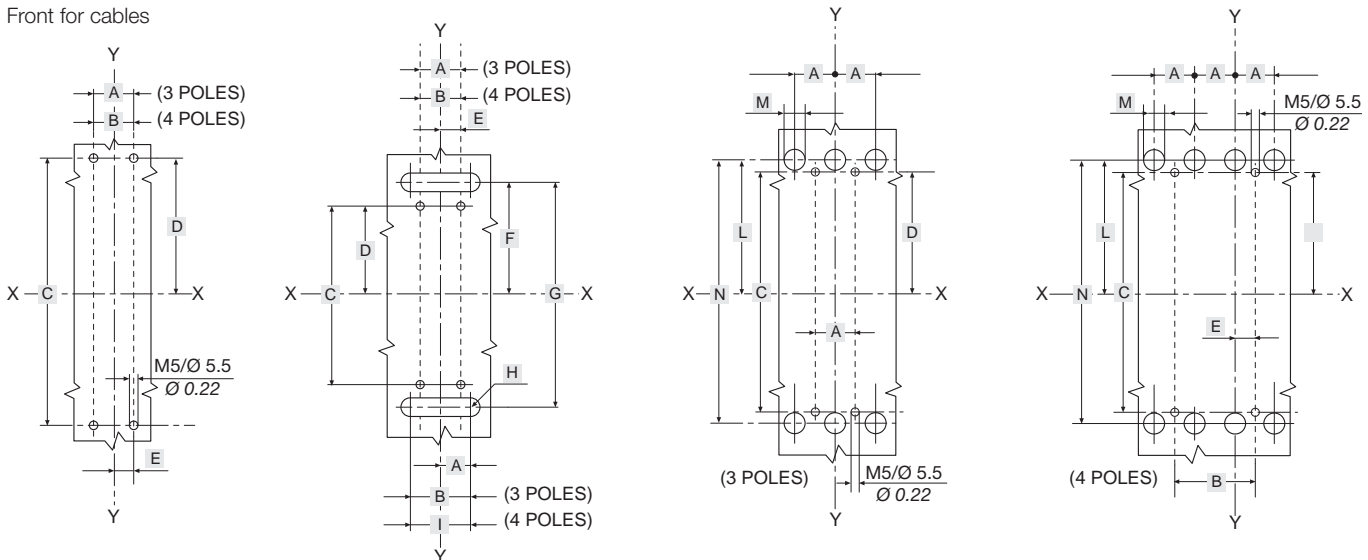
Template for drilling sheet metal support

(minimum thickness of sheet metal: 0.12"/3 mm)

For terminals:
Front for flat bars
Extended front
Front for cables

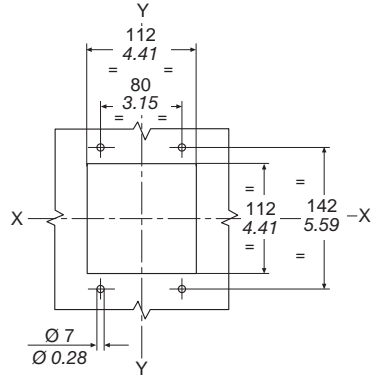
For terminals for rear
Cu/Al cables

For threaded rear terminals



Template for drilling compartment door and fitting flange

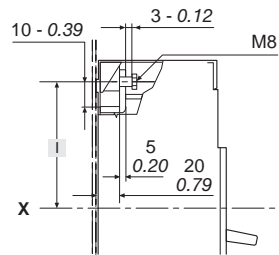
(thickness of sheet metal: 0.08"/2 mm)



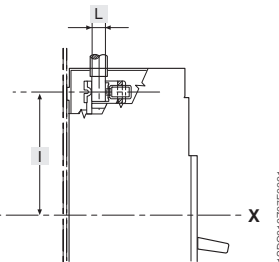
	A	B	C	D	E	F	G	H	I	L	M	N
Ts3	35 1.38	70 2.76	139 5.47	71.75 2.82	17.5 0.69	94.75 3.73	185 7.28	R15 R0.59	105 4.13	73.75 2.90	Ø 24 Ø 0.94	143 5.63

Terminals

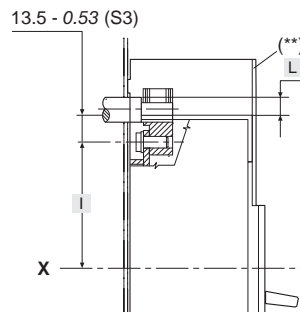
Front for flat bars



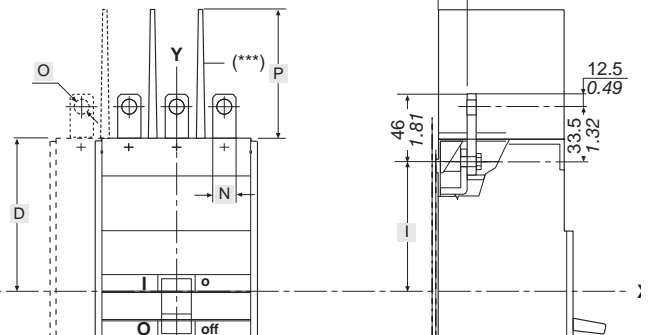
Front for cables



For rear Cu/Al cables



Extended front



(**) high terminal covers included in supply

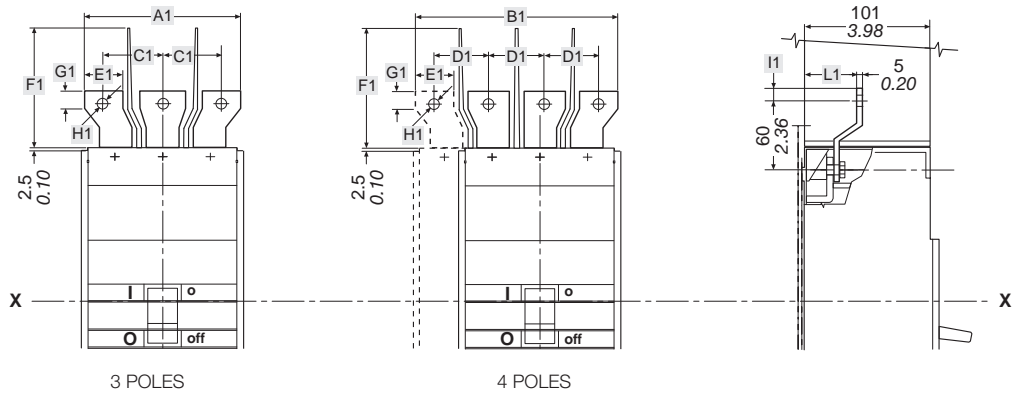
(***) Separator plates between the phases to order

Overall dimensions

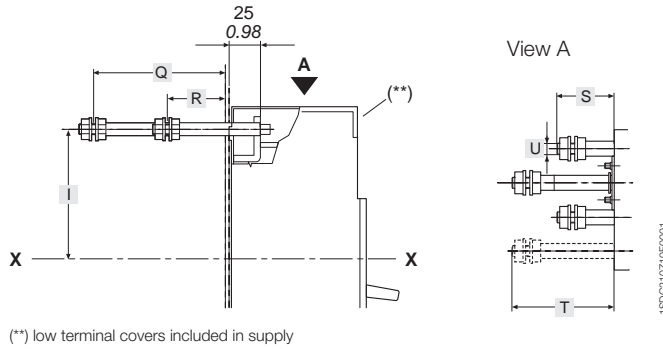
Tmax Ts3

Terminals

Extended front spreaded



Threaded rear



	D	I	L	N	O	P	Q	R	S	T	U	A1	B1	C1	D1	E1	F1	G1	H1	I1	L1
Ts3	87.25	73.75	Ø 16	20	Ø 8.5	100	81.5	36.5	55	100	M 12	130	165	50	45	30	155	...	Ø 8.5	12.5	45
	3.44	2.90	Ø 0.63	0.79	Ø 0.33	3.94	3.21	1.44	2.17	3.94		5.12	6.50	1.97	1.77	1.18	6.10	...	Ø 0.33	0.49	1.77

Overall dimensions

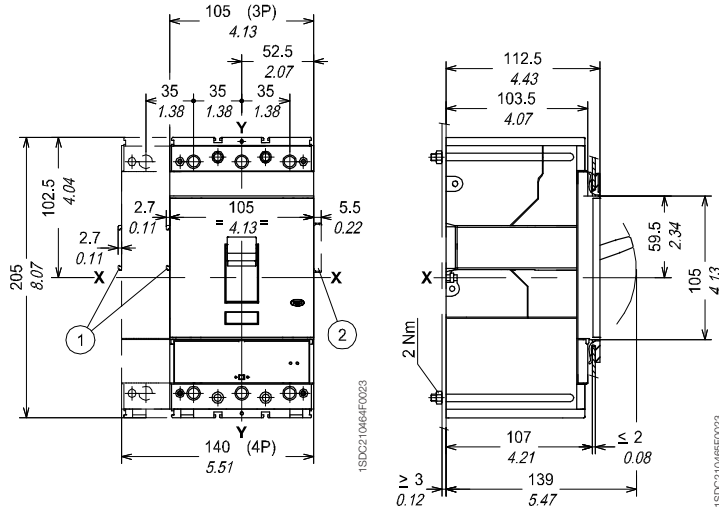
Tmax T4

Fixed circuit breaker

Caption

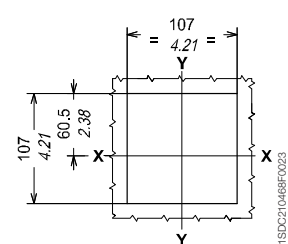
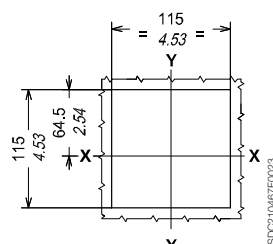
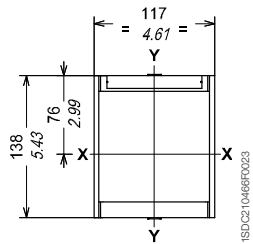
Fixing on sheet

- ① Overall dimensions with cabled accessories mounted (SOR-C, UVR-C, RC222-223)
- ② Overall dimensions with cabled auxiliary contacts mounted (only 3Q 1SY)



Flange for compartment door

Drilling templates of the compartment door



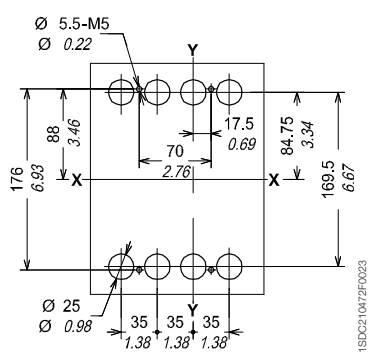
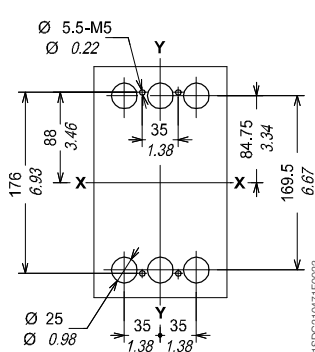
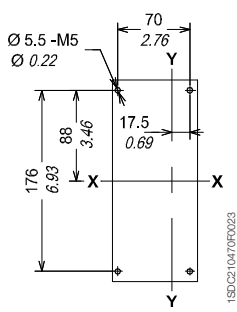
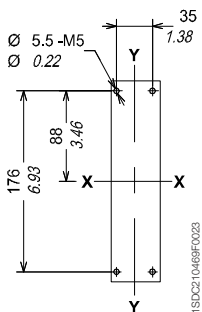
3-4 POLES
With flange

3-4 POLES
Without flange

Drilling templates for support sheet

For front terminals

For rear terminals



3 POLES

4 POLES

3 POLES

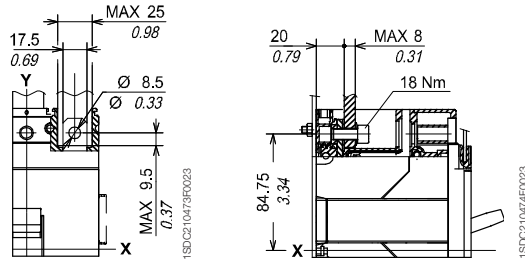
4 POLES

Overall dimensions

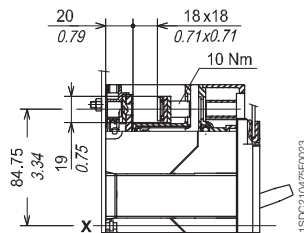
Tmax T4

Terminals

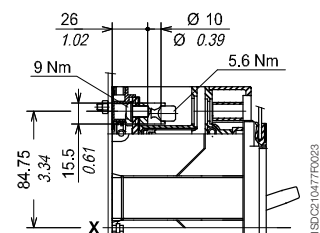
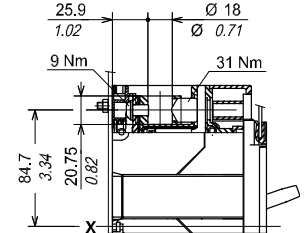
Front - F



Front for copper cables - FC Cu



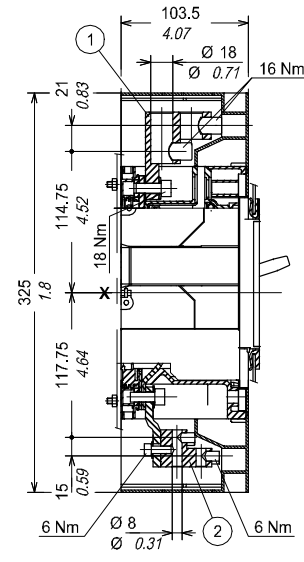
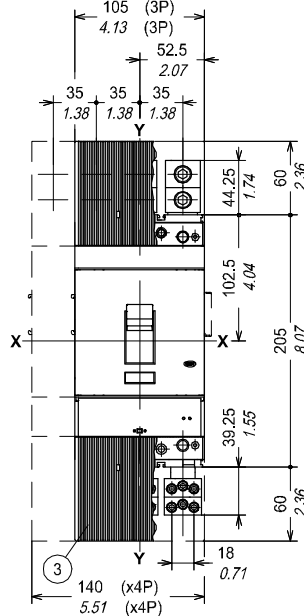
Front for copper/aluminium cables - FC CuAl



Caption

- ① Front terminals for cable connection 2x150 mm²
- ② Front terminals for multicable connection
- ③ High terminal covers with degree of protection IP40

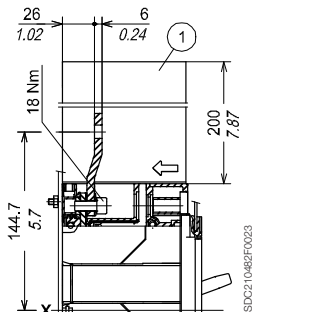
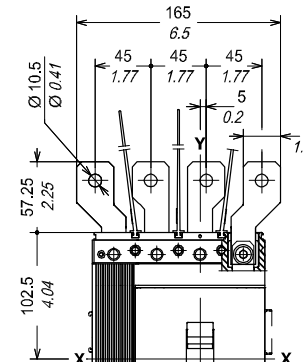
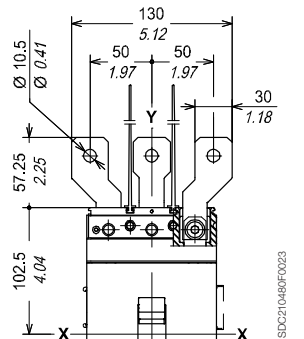
Front multicable - MC



Caption

- ① Insulating barriers between phases (compulsory)

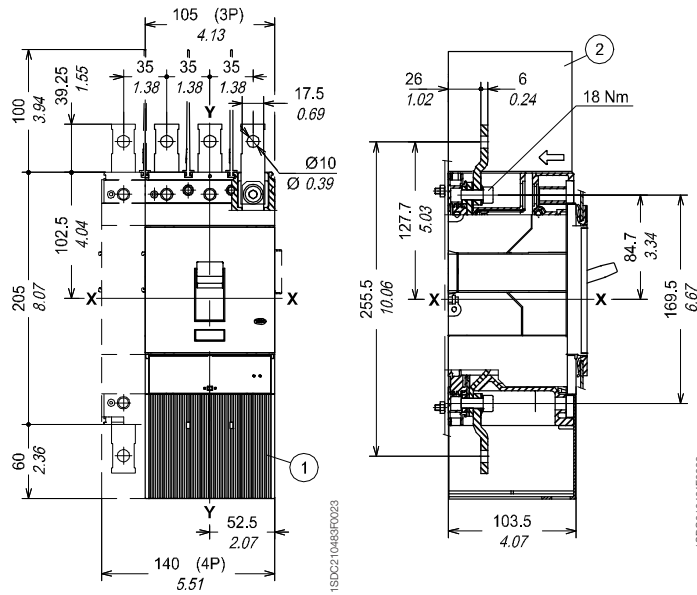
Front extended spread - ES



Caption

Front extended - EF

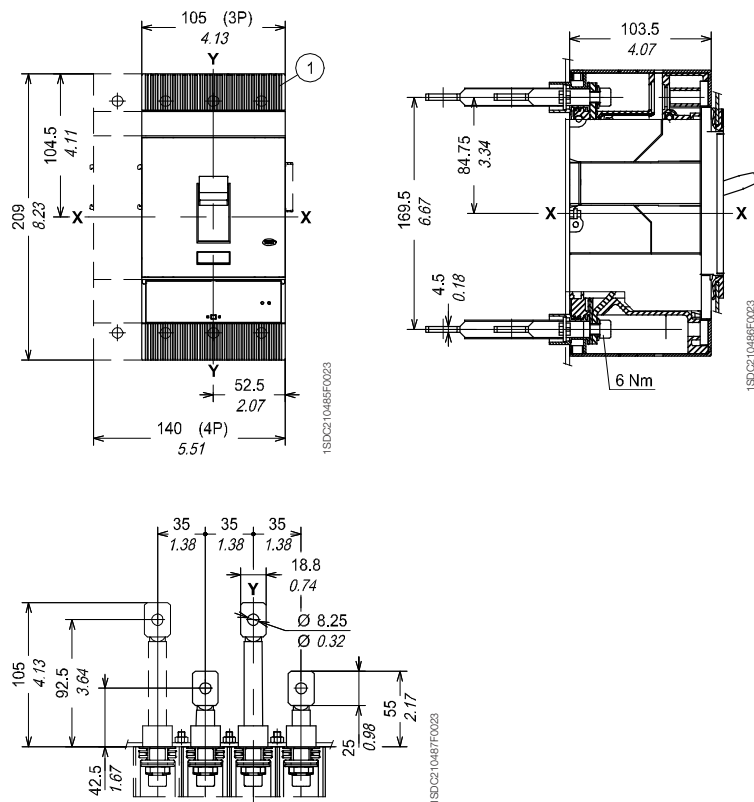
- ① High terminal covers with degree of protection IP40
- ② Insulating barriers between phases (compulsory without 1)



Caption

Rear - R

- ① Low terminal covers with degree of protection IP40



Overall dimensions

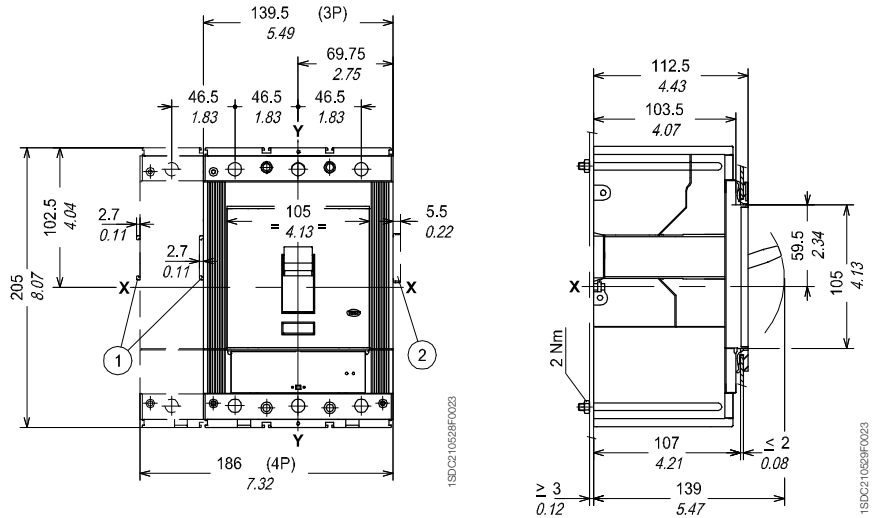
Tmax T5 (400 A)

Fixed circuit breaker

Caption

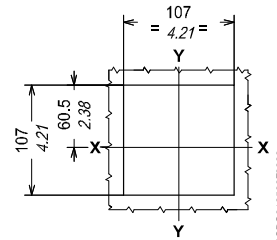
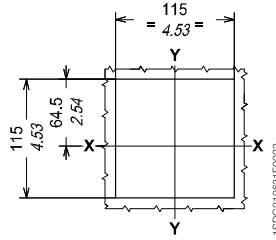
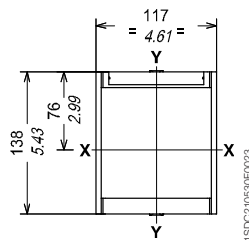
Fixing on sheet

- ① Overall dimensions with cabled accessories mounted (SOR-C, UVR-C, RC222)
- ② Overall dimensions with cabled auxiliary contacts mounted (only 3Q 1SY)



Flange for compartment door

Drilling templates of the compartment door

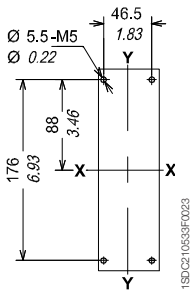


With flange (3-4 POLES)

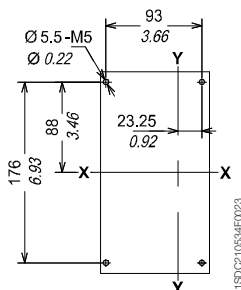
Without flange (3-4 POLES)

Drilling templates for support sheet

For front terminals

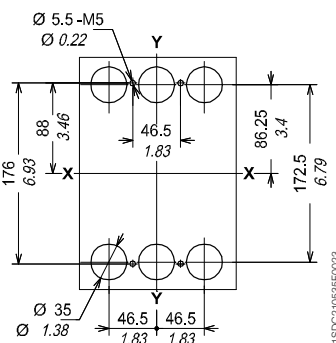


3 POLES

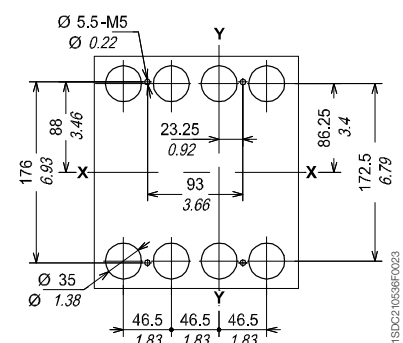


4 POLES

For rear terminals



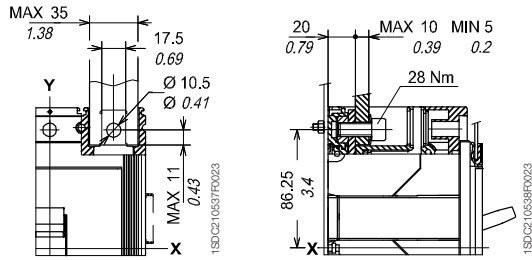
3 POLES



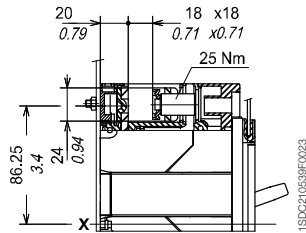
4 POLES

Terminals

Front - F



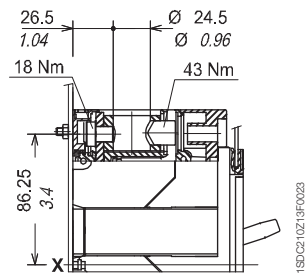
Front for copper cables - FC Cu



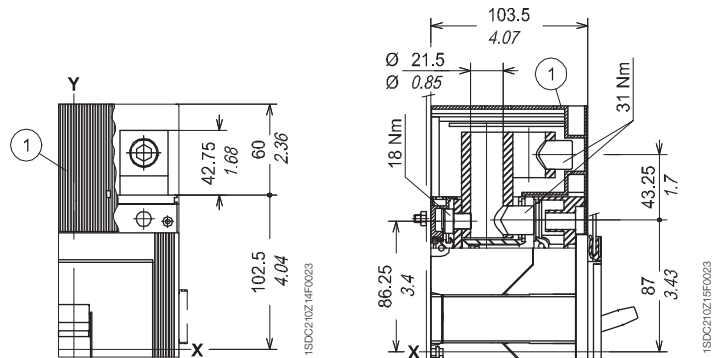
Caption

- ① High terminal covers with degree of protection IP40

Front for copper/aluminium cables Cu/Al 300 mm² FC CuAl



Front for copper/aluminium cables Cu/Al 2x240 mm² - FC CuAl



Overall dimensions

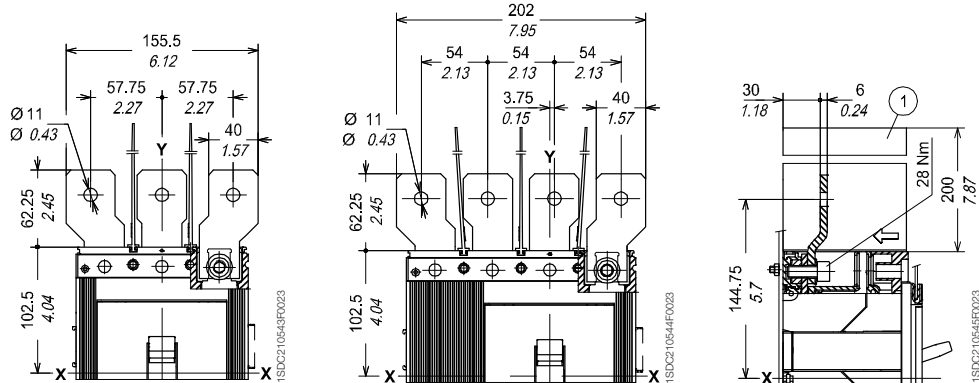
Tmax T5 (400 A)

Terminals

Caption

Front extended spread - ES

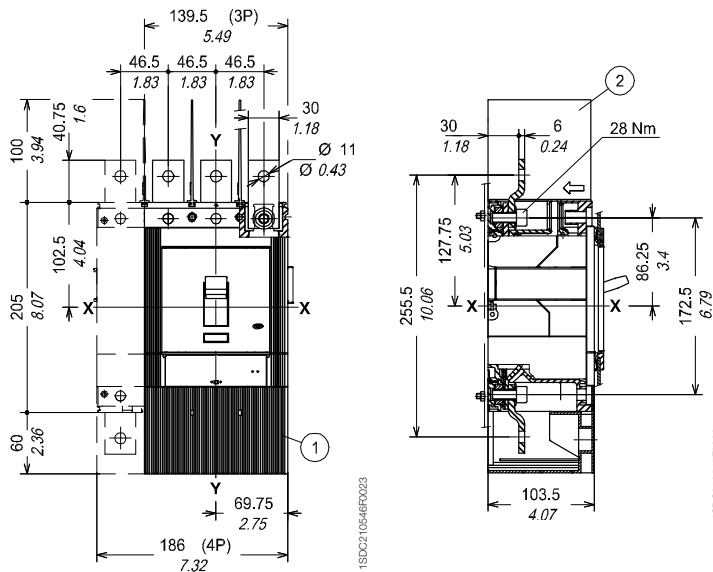
- ① Insulating barriers between phases (compulsory)



Caption

Front extended - EF

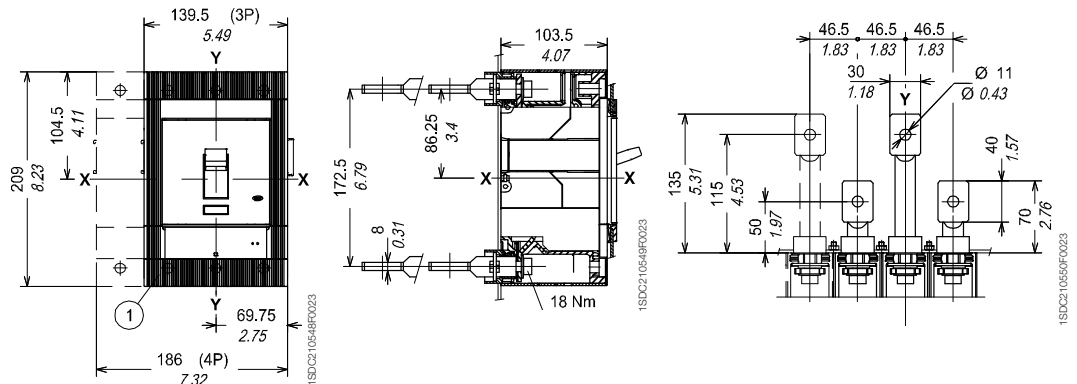
- ① High terminal covers with degree of protection IP40
- ② Insulating barriers between phases (compulsory without 1)



Caption

Rear - R

- ① Low terminal covers with degree of protection IP40



Overall dimensions

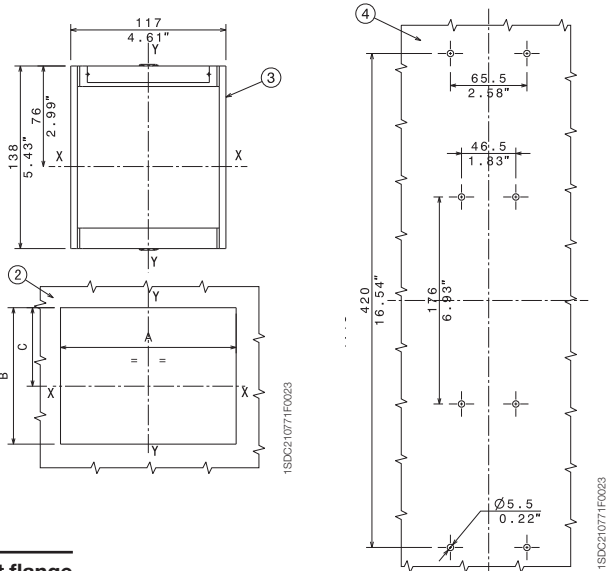
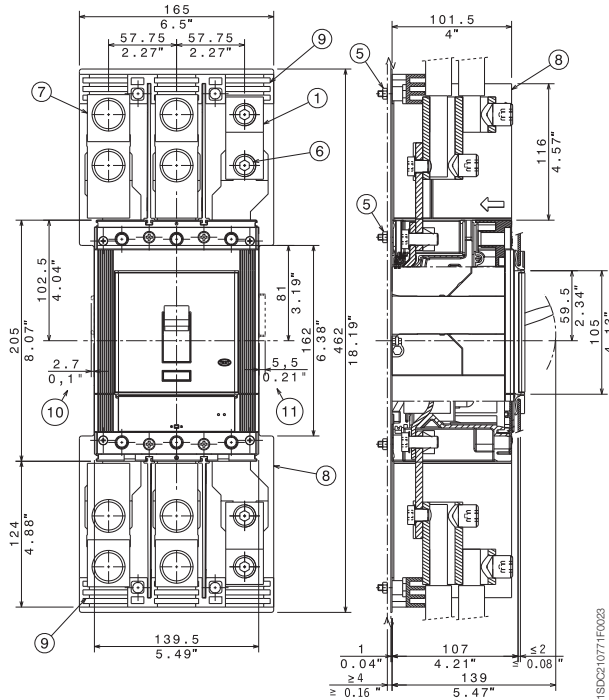
Tmax T5 (600 A)

Fixed circuit breaker

Caption

Fixing on sheet

- ① Front terminals for 2x240 mm² cable connection
- ② Compartment door sheet steel drilling
- ③ Flange for the compartment door
- ④ Fixing on sheet steel
- ⑤ Tightening torque 2 Nm
- ⑥ Tightening torque 31 Nm
- ⑦ Terminal cover
- ⑧ Insulating barrier + insulating plate
- ⑨ Terminals support
- ⑩ Spacing when equipped with SOR-C, UVR-C, RC221-222
- ⑪ Spacing when equipped with AUX-C (3Q 1SY only)



	With flange	Without flange
A	115 4.53	107 4.21
B	115 4.53	107 4.21
C	64.5 2.54	60.5 2.38

Overall dimensions

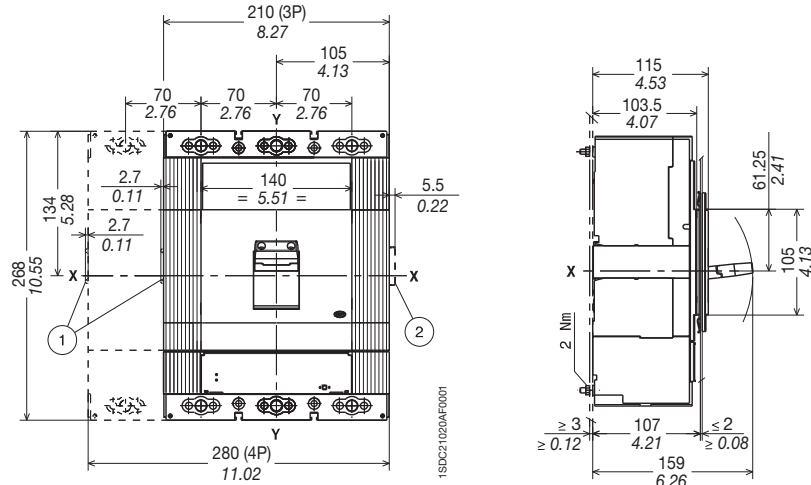
Tmax T6

Fixed circuit breaker

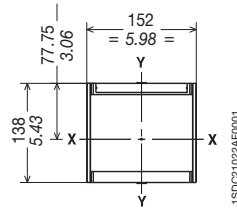
Caption

- ① Overall dimensions with cabled accessories mounted (SOR-C, UVR-C)
- ② Overall dimensions with cabled auxiliary contacts mounted (only 3Q 1SY)

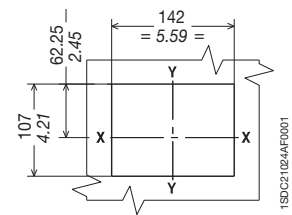
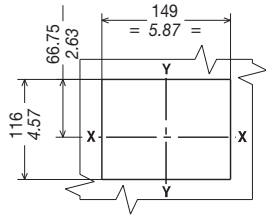
Fixing on sheet



Flange for the compartment door



Drilling templates of the compartment door

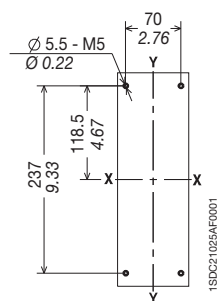


With flange 3-4 POLES

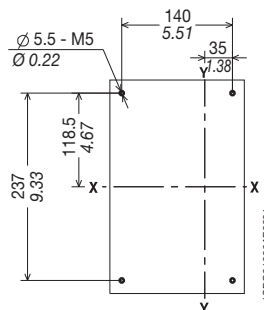
Without flange 3-4 POLES

Drilling templates for support sheet

For front terminals F, EF, ES, FC Cu, FC CuAl



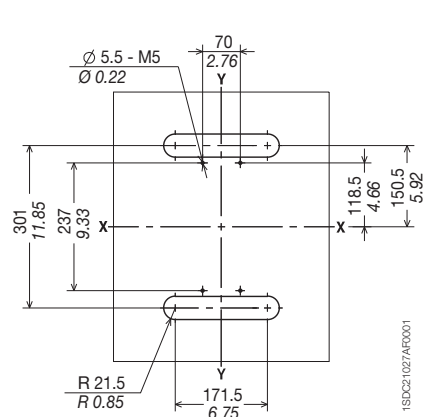
3 POLES



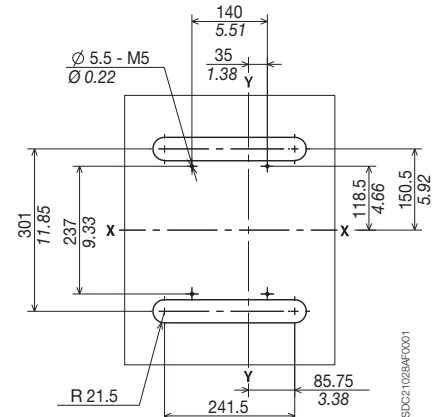
4 POLES

Drilling templates for support sheet

For rear terminals for Cu/Al cables

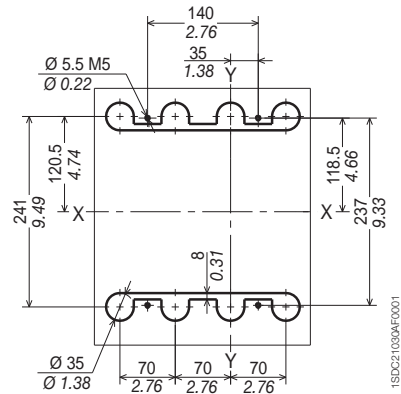
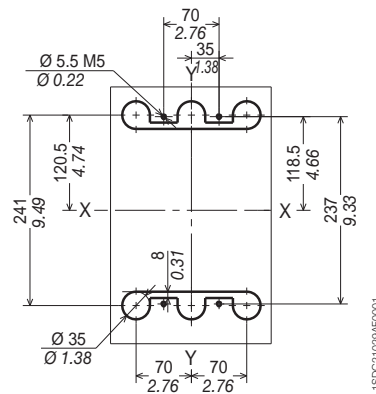


3 POLES



4 POLES

For rear terminals - R

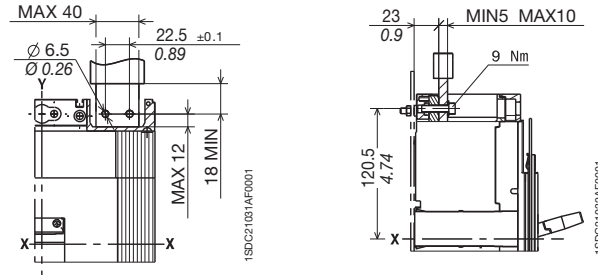


Overall dimensions

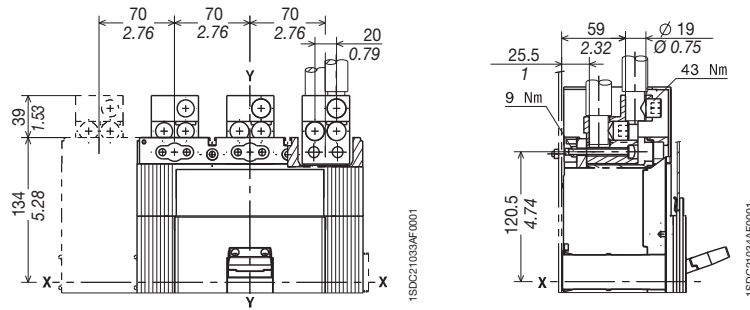
Tmax T6

Terminals

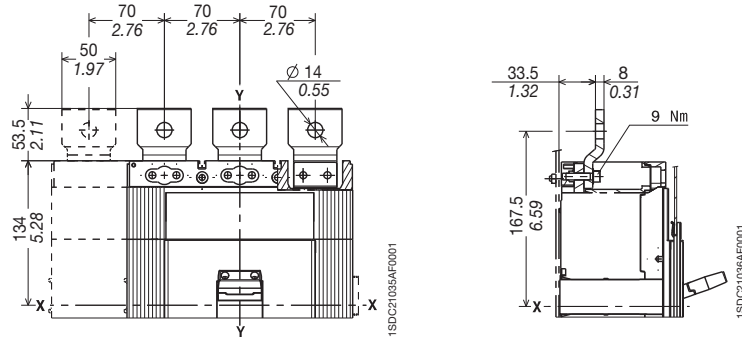
Front - F



Front for copper/aluminium cables Cu/Al 3x185 mm² FC CuAl



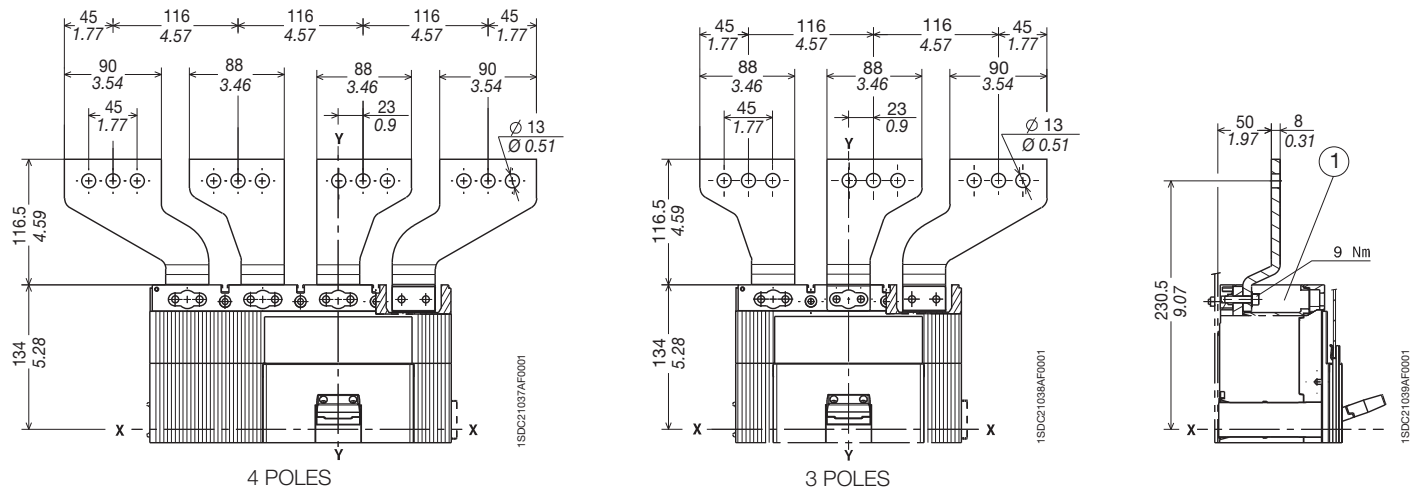
Front extended - EF



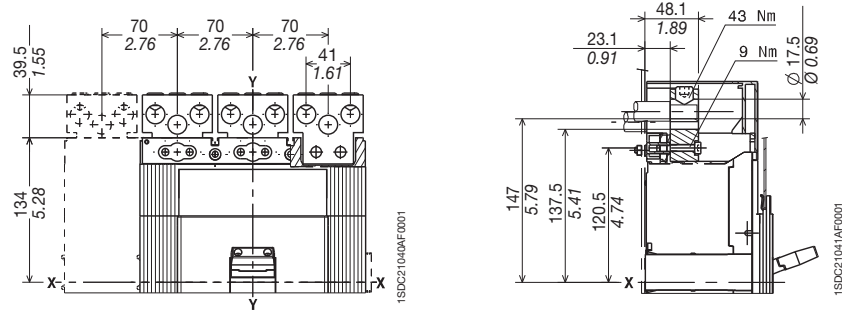
Caption

- ① Insulating barriers between phases (compulsory)

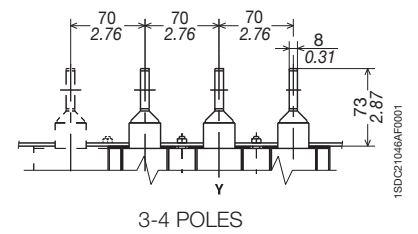
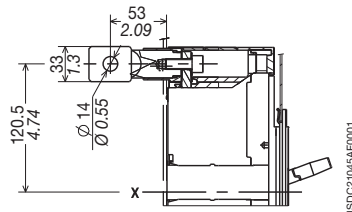
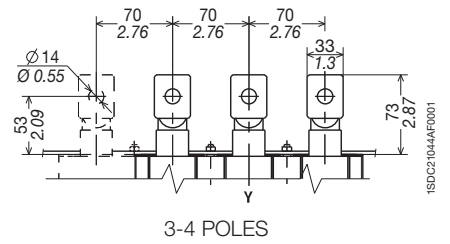
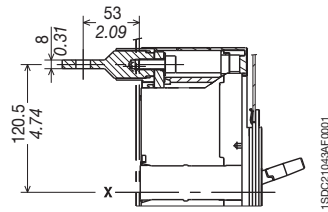
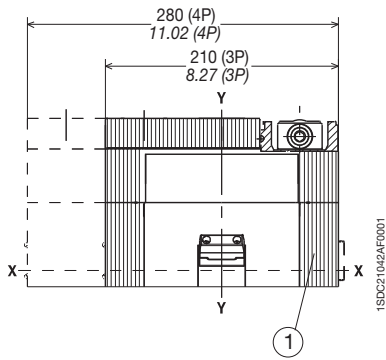
Front extended spread - ES



Rear for copper cables Cu/Al - RC CuAl



Rear - R



Caption

- ① Low terminal covers with degree of protection IP40

Overall dimensions

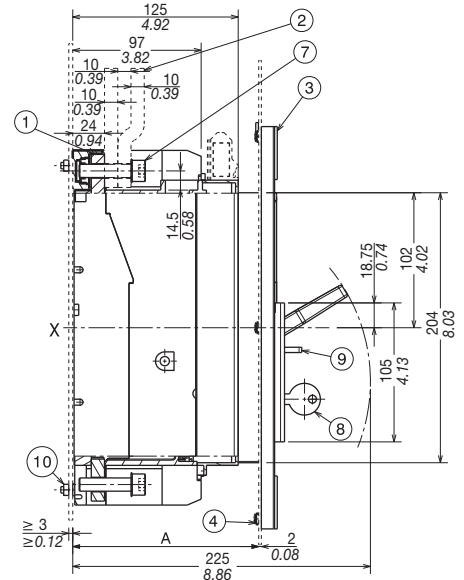
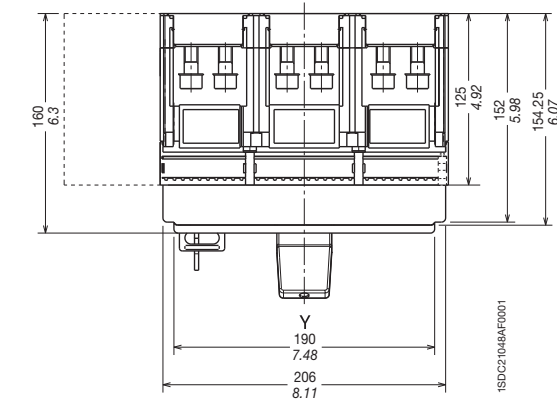
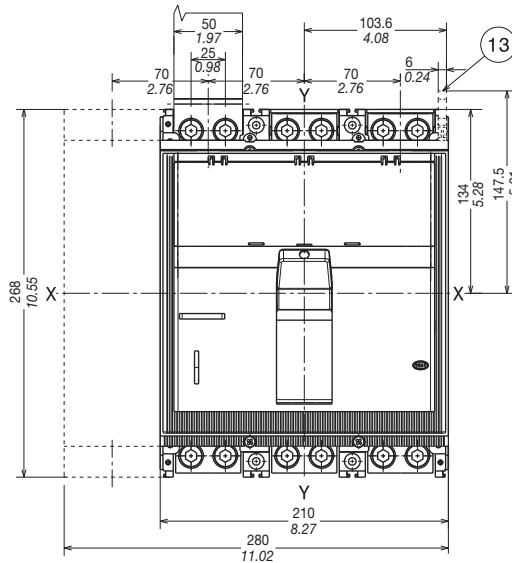
Tmax T7

Fixed circuit breaker

Front terminal – F

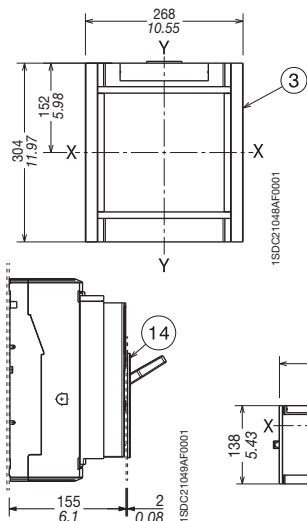
Caption

- ① Front terminals for flat connection
- ② Busbars
- ③ Flange for the compartment door
- ④ Flange fixing screws
- ⑥ Drilling template for fixing onto support sheet
- ⑦ Tightening torque: 18 Nm
- ⑧ Key lock (optional)
- ⑨ Padlock (optional)
- ⑩ Tightening torque: 2.5 Nm
- ⑪ Sheet drilling for compartment door with flange
- ⑫ Sheet drilling for compartment door for front 206 x 204
- ⑬ Terminal for auxiliary contacts
- ⑭ Reduce flange for the compartment door (optional)
- ⑮ Sheet drilling for compartment door with reduced flange
- ⑯ Sheet drilling for compartment door for front 190 x 105

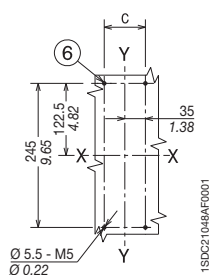


	With flange	Without flange
A	125...141 4.92...5.55	147 5.79

Flange for the compartment door (supplied as standard)

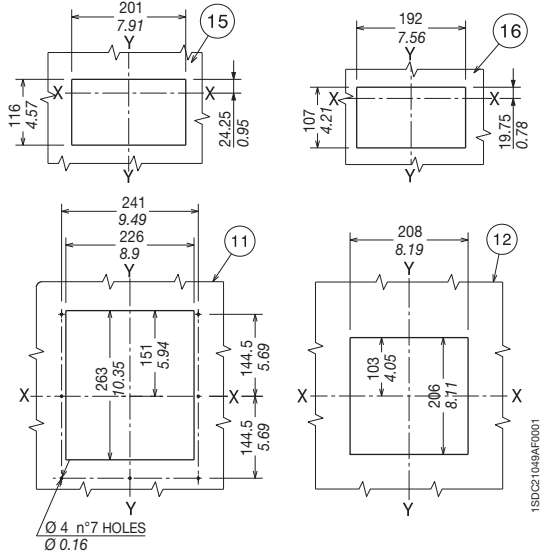


Drilling templates for support sheet



C	III	IV
	70	140
	2.76	5.51

Drilling templates of the compartment door

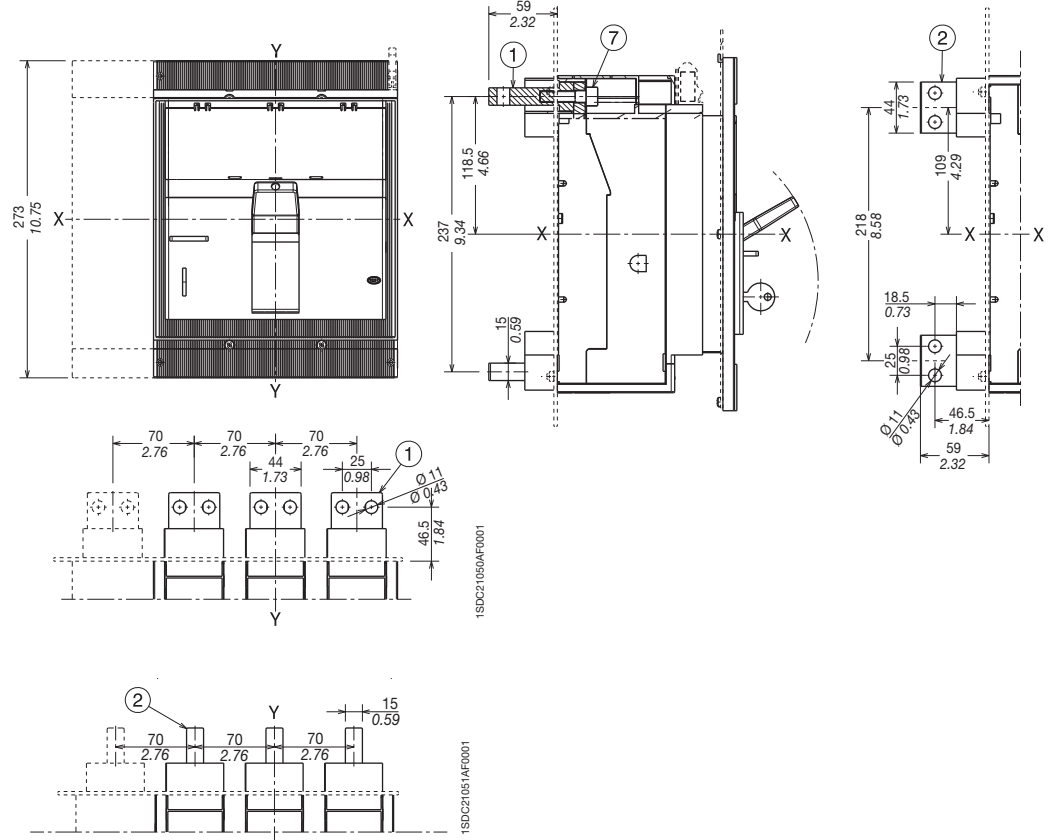


Terminals

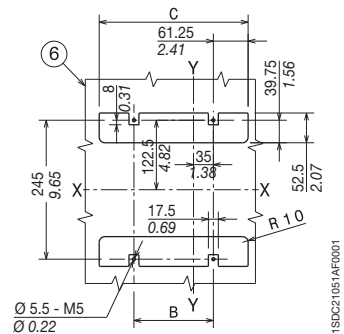
Caption

Rear terminals HR or VR

- ① Rear horizontal terminals
- ② Rear vertical terminals
- ⑥ Support sheet drilling template
- ⑦ Tightening torque: 20 Nm



Drilling templates for support sheet



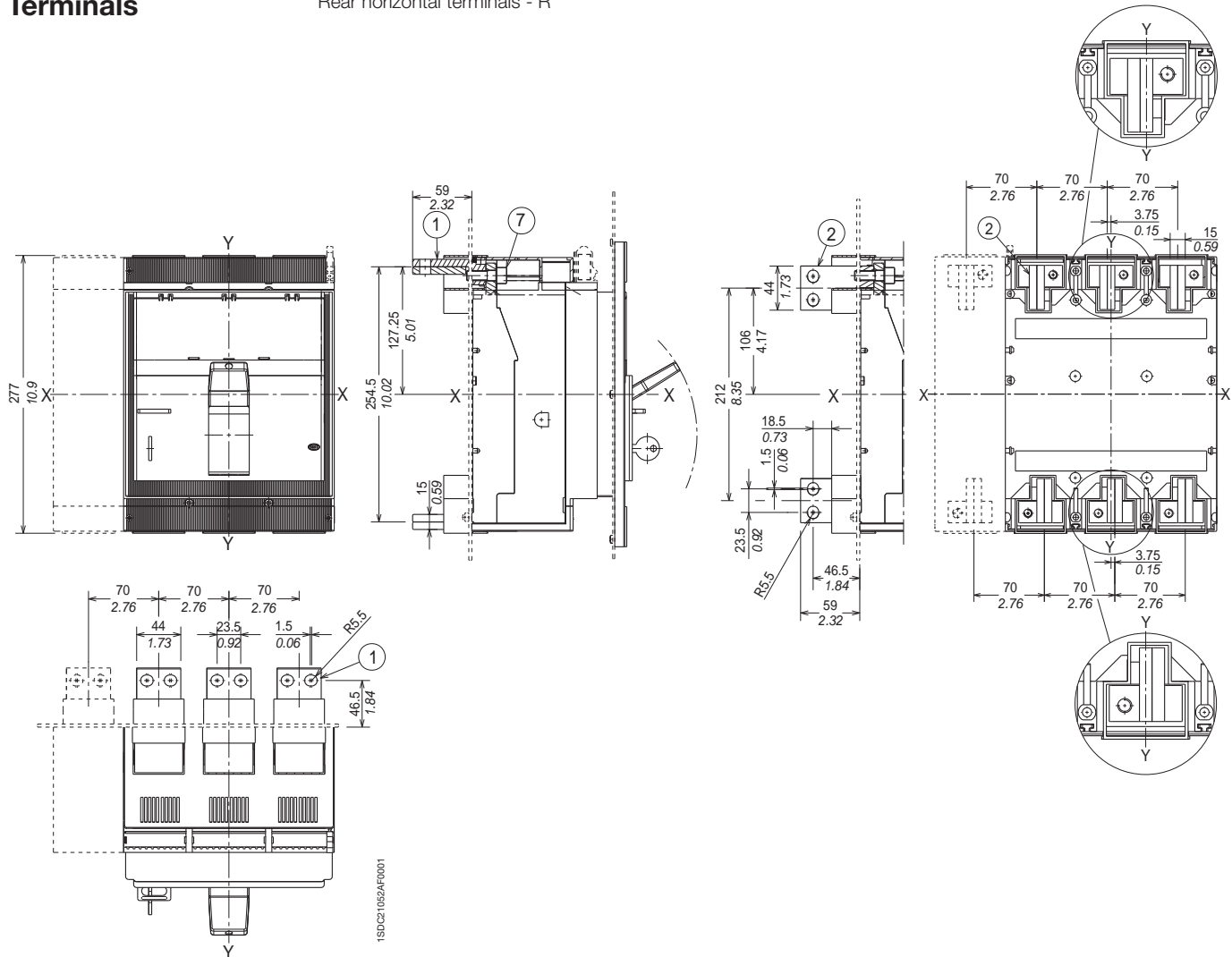
	III	IV
B	70	140
	2.76	5.51
C	192.5	262.5
	7.58	10.33

Overall dimensions

Tmax T7

Terminals

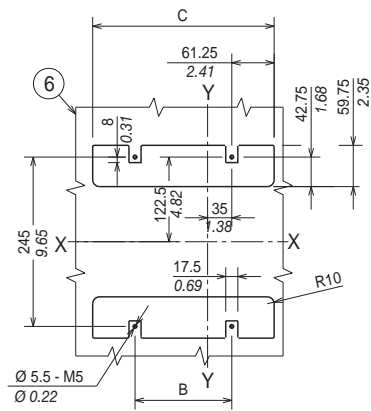
Rear horizontal terminals - R



Caption

Drilling templates for support sheet

- ① Rear horizontal terminals
- ② Rear vertical terminals
- ⑥ Drilling template for fixing onto support sheet
- ⑦ Tightening torque: 20 Nm

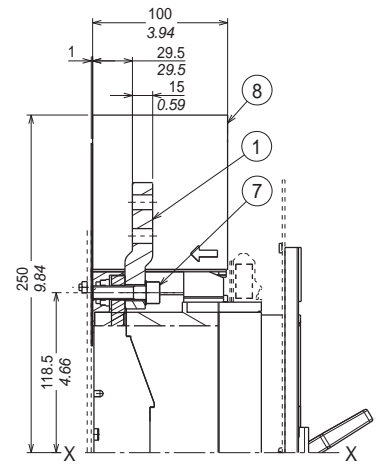
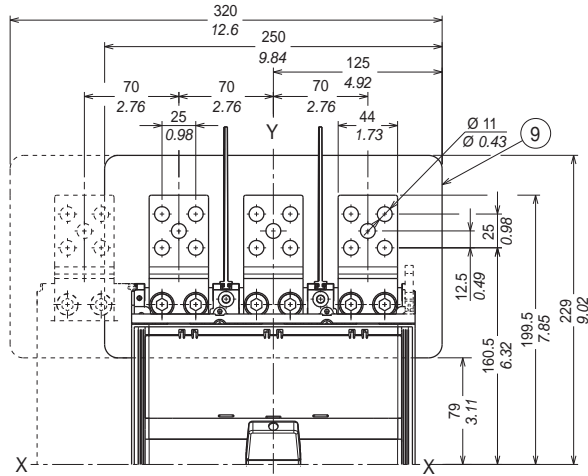


	III	IV
B	70 2.76	140 5.51
C	192.5 7.58	262.5 10.33

Caption

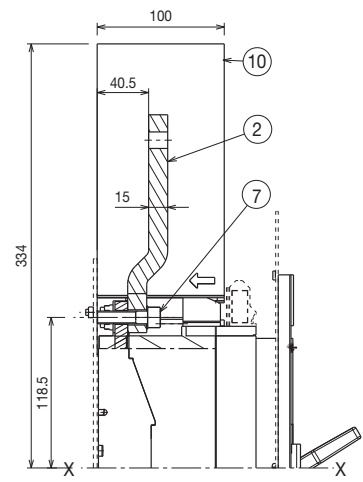
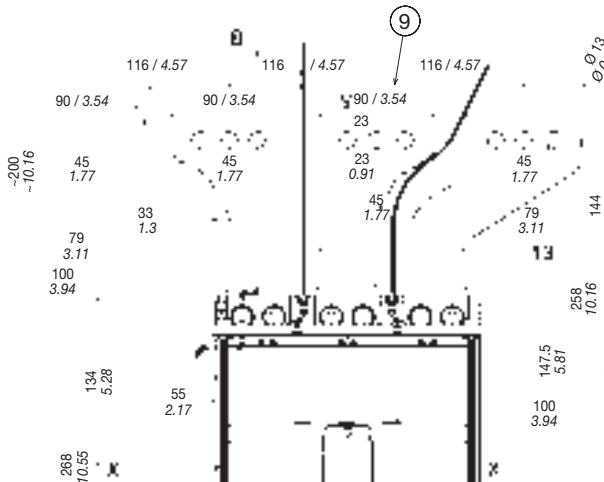
Extended front terminals - EF

- ① Extended front terminals EF
- ② Extended front spread terminals ES
- ⑥ Drilling template for fixing onto support sheet
- ⑦ Tightening torque: 18 Nm
- ⑧ Phase separator 100 mm
- ⑨ Protection plate
- ⑩ Phase separator 200 mm
- ⑬ Clamp for auxiliary contacts



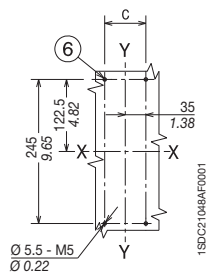
1SDC21054AF0001

Rear spread terminals - ES



1SDC21055AF0001

Drilling templates for support sheet



1SDC21068AF0001

	III	IV
C	70	140
	2.76	5.51

Overall dimensions

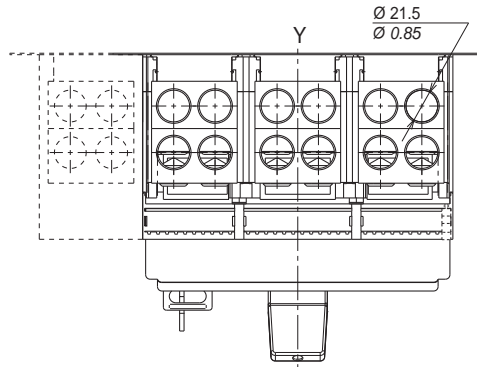
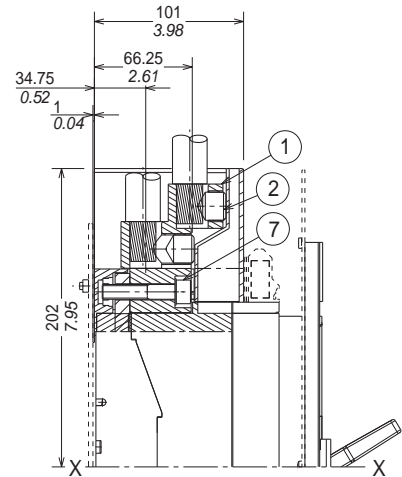
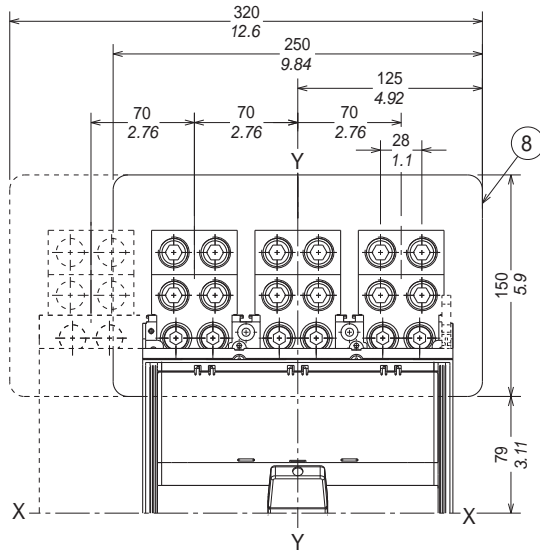
Tmax T7

Terminals

Caption

Front FC CuAl cable terminal - 4x240 mm²

- ① Front terminals for cables FC CuAl
- ② Tightening torque: 43 Nm
- ⑦ Tightening torque: 18 Nm
- ⑧ Protection plate



1SDC21056AF0001

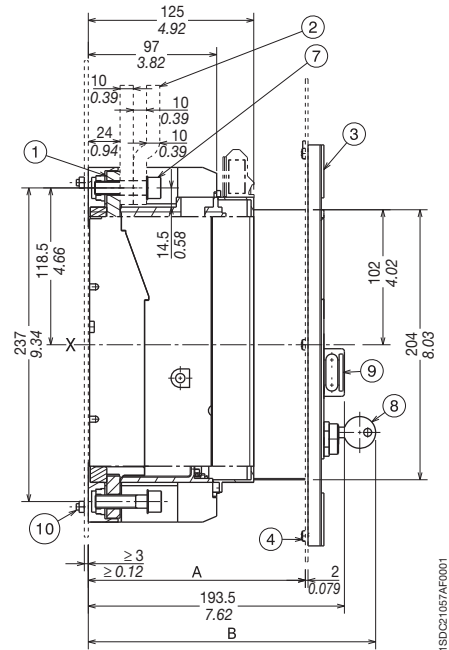
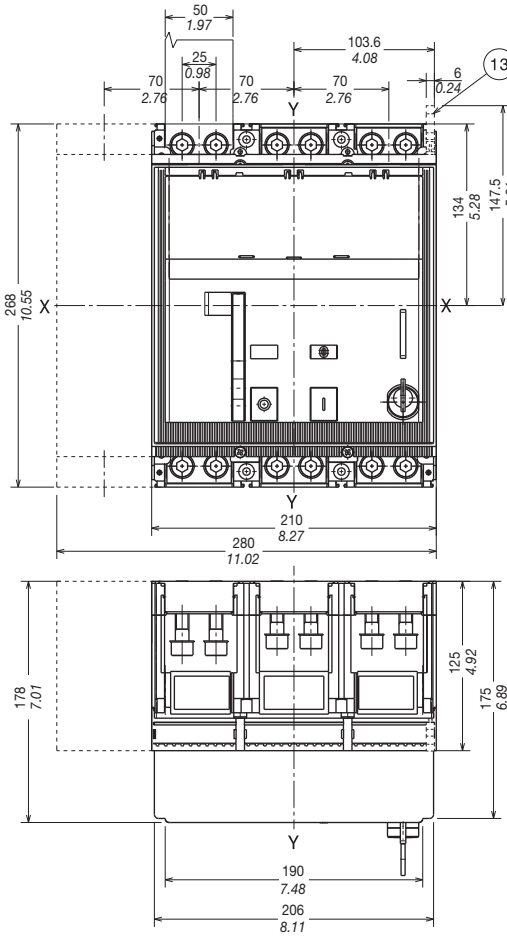
Overall dimensions

Tmax T7M

Fixed circuit breaker Front terminal

Caption

- ① Front terminal for flat connection
- ② Busbars
- ③ Flange for the compartment door
- ④ Flange fixing screws
- ⑥ Drilling template for fixing onto support sheet
- ⑦ Tightening torque: 18 Nm
- ⑧ Key lock (optional)
- ⑨ Padlock (optional)
- ⑩ Tightening torque: 2.5 Nm
- ⑪ Compartment door with flange sheet drilling
- ⑫ Compartment door without flange sheet drilling
- ⑬ Terminal for auxiliary contacts

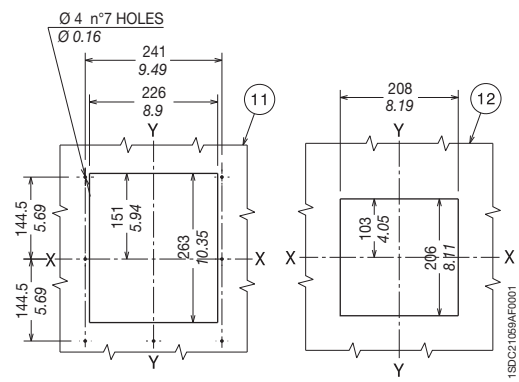


	With flange	Without flange
A	125...184 4.92...7.24	170 6.7

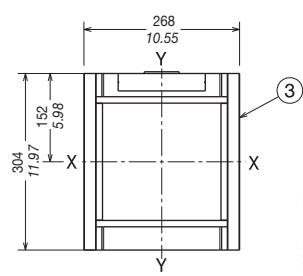
B	Standard	Ronis	Profalux	Kirk	Castell
	208 8.19	216 8.5	224 8.82	no no	no no

C	III	IV
	70 2.76	140 5.51

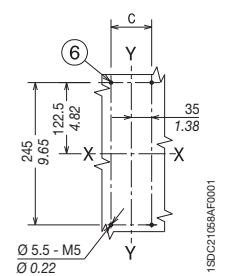
Drilling templates of the compartment door



Flange for the compartment door (supplied as standard)



Drilling templates for support sheet

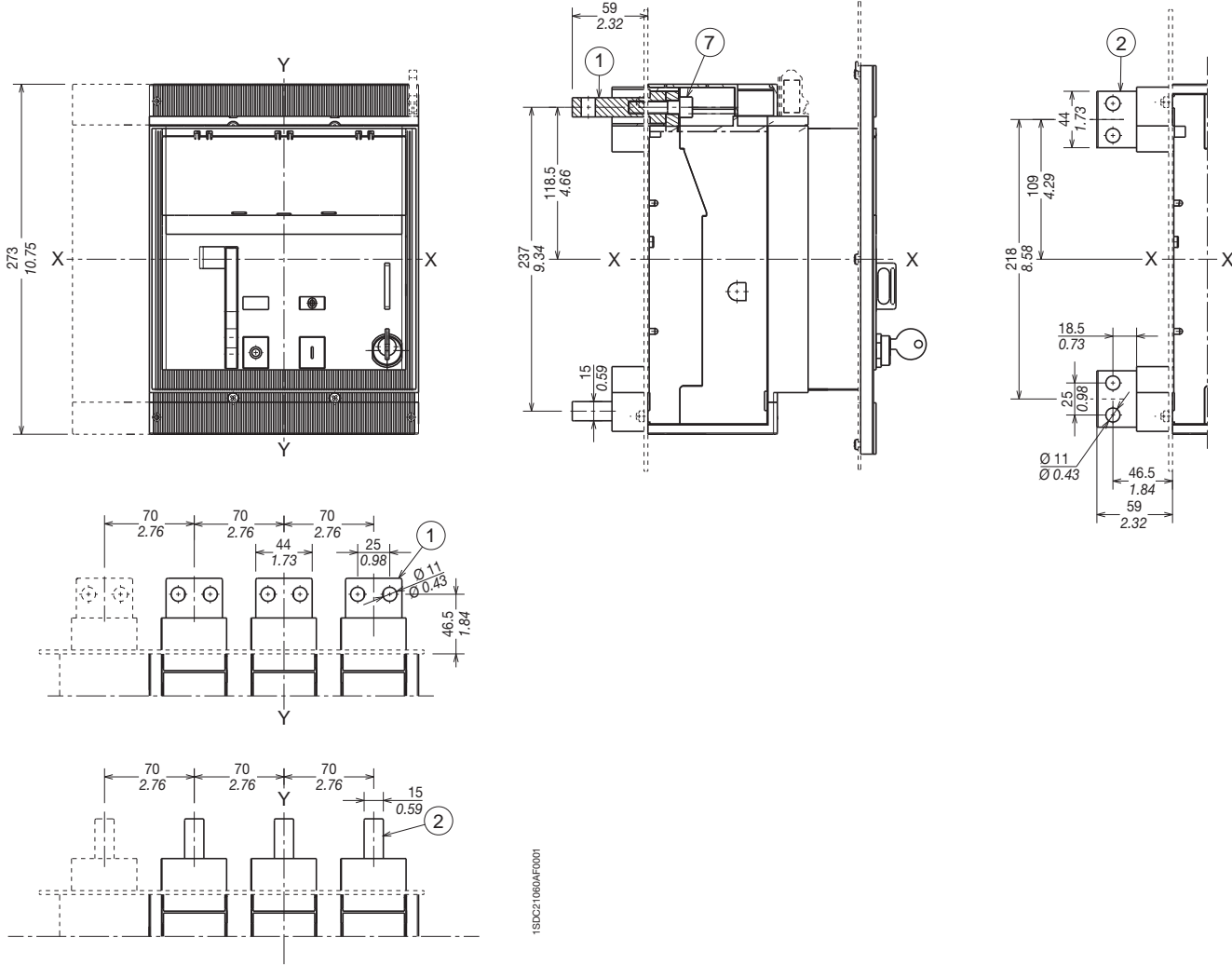


Overall dimensions

Tmax T7M

Fixed circuit breaker

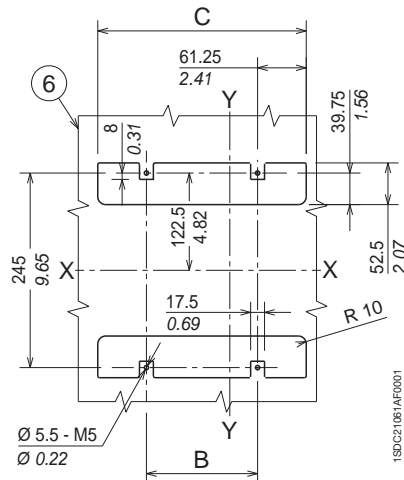
Rear terminals - HR/VR



Caption

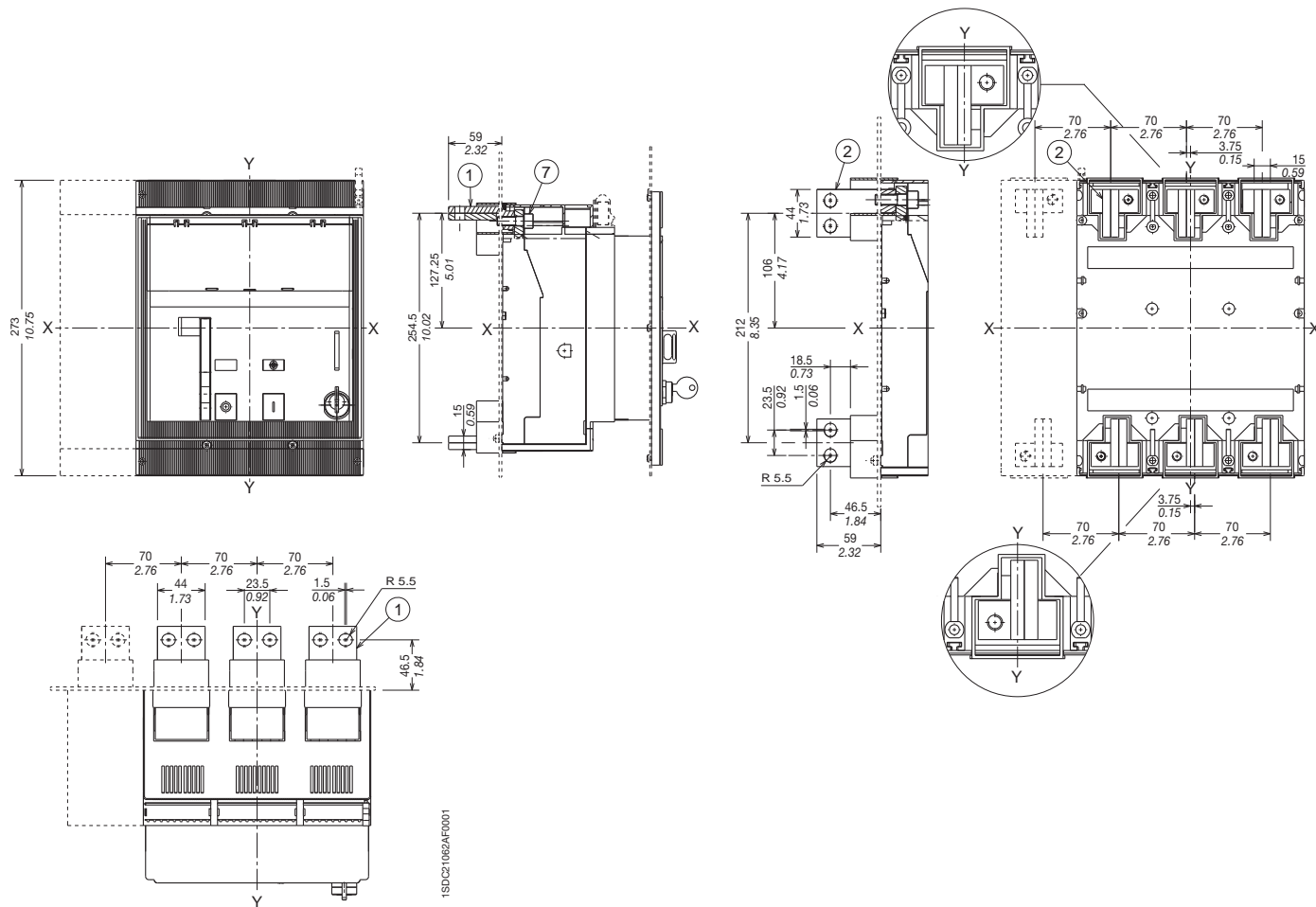
- ① Rear horizontal terminals
- ② Rear vertical terminals
- ⑥ Drilling template for fixing onto support sheet
- ⑦ Tightening torque 20 Nm

Drilling templates for support sheet



	III	IV
B	70 2.76	140 5.51
C	192.5 7.58	262.5 10.33

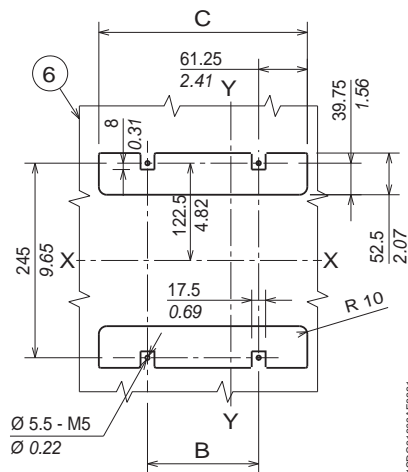
Rear terminals - R



Caption

- ① Rear horizontal terminals
- ② Rear vertical terminals
- ⑥ Drilling template for fixing onto support sheet
- ⑦ Tightening torque 20 Nm

Drilling templates for support sheet



	III	IV
B	70	140
	2.76	5.51
C	192.5	262.5
	7.58	10.33

Overall dimensions

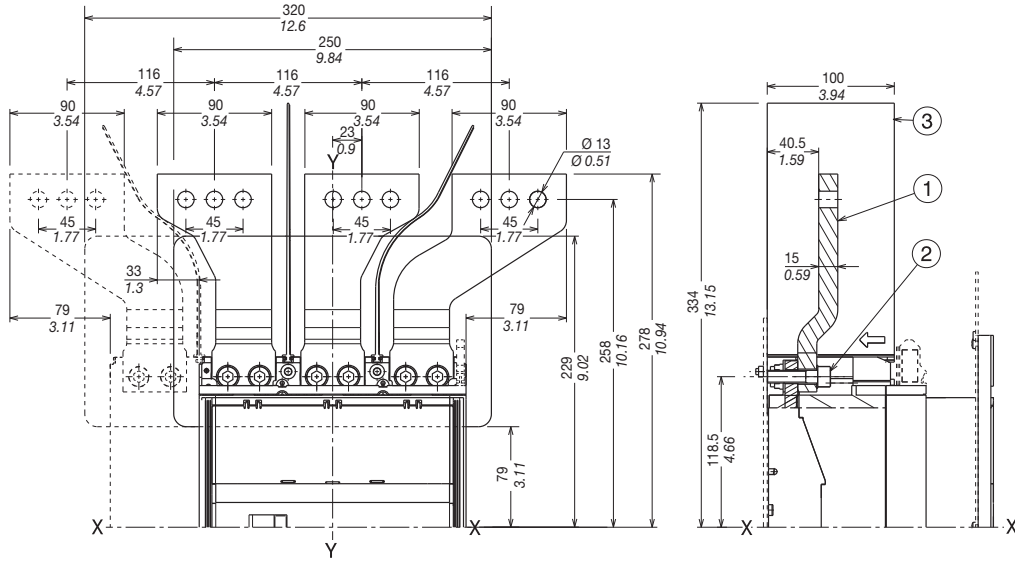
Tmax T7M

Terminals

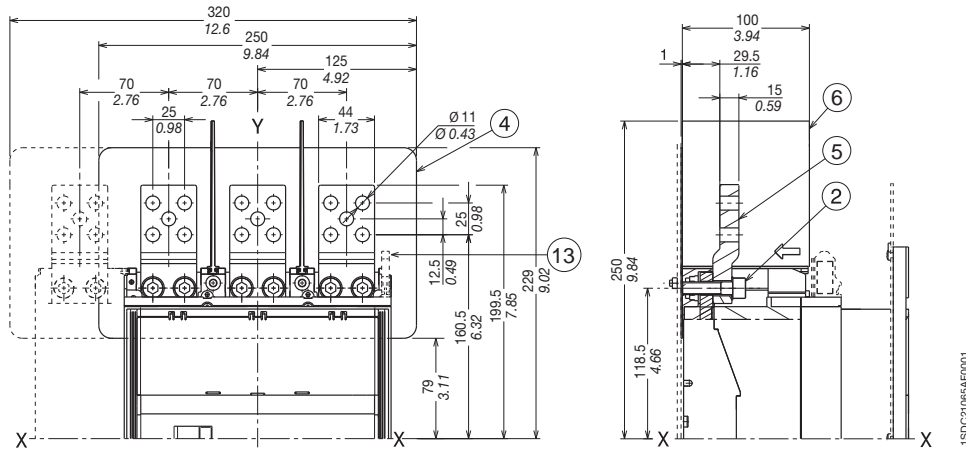
Caption

Front extended spread terminals - ES

- ① Rear spread terminals - ES
- ② Tightening torque 18 Nm
- ③ Phase separators 200 mm
- ④ Protection plate
- ⑤ Extended front terminals - EF
- ⑥ Phase separators 100 mm
- ⑬ Clamp for auxiliary contacts



Extended front terminals - EF

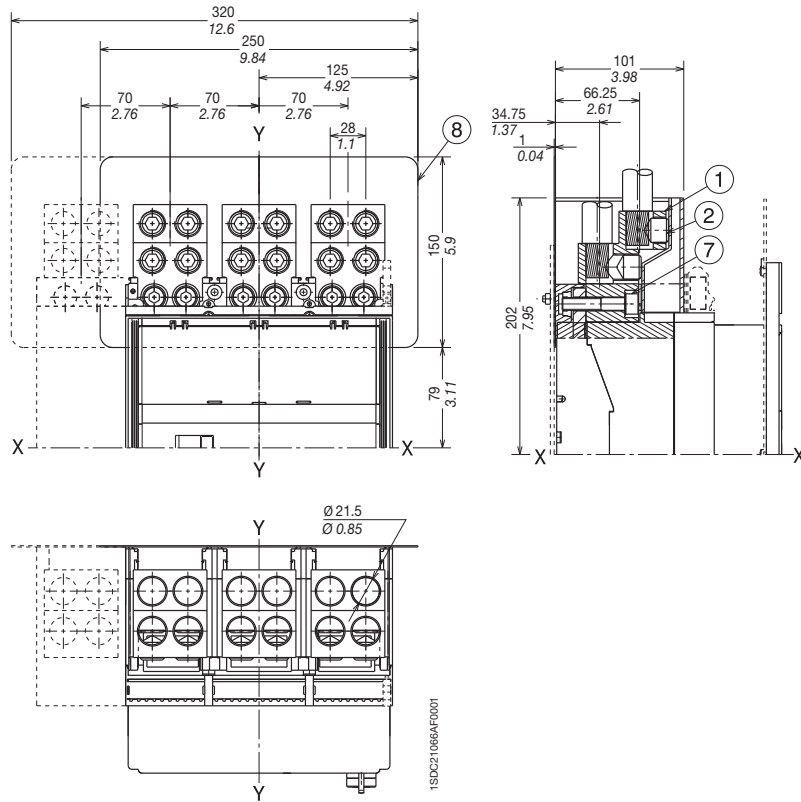


6

Caption

Front terminals for cable FC CuAl - 4x240 mm²

- ① Front terminals for cable FC CuAl
- ② Tightening torque 43 Nm
- ⑦ Tightening torque 18 Nm
- ⑧ Protection plate



Overall dimensions

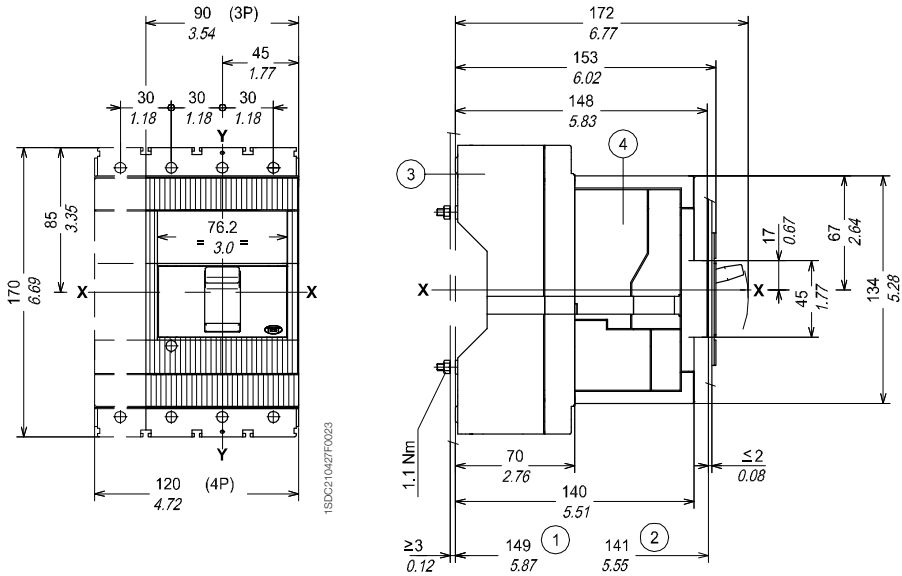
Tmax T2

Plug-in circuit breaker

Caption

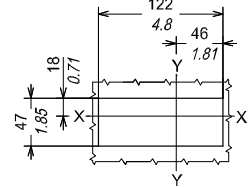
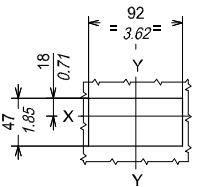
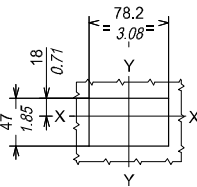
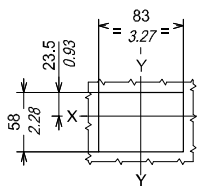
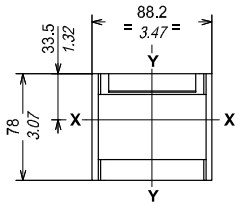
Fixing on sheet

- ① Depth of the switchboard in the case of circuit breaker with face not extending from the compartment door, with or without flange
- ② Depth of the switchboard in the case of circuit breaker with face extending from the compartment door, without flange
- ③ Cradle
- ④ Moving part with terminal covers, degree of protection IP40



Flange for compartment door

Drilling templates of the compartment door



With flange and circuit breaker face flush with door (3-4 POLES)

Without flange and circuit breaker face flush with door (3-4 POLES)

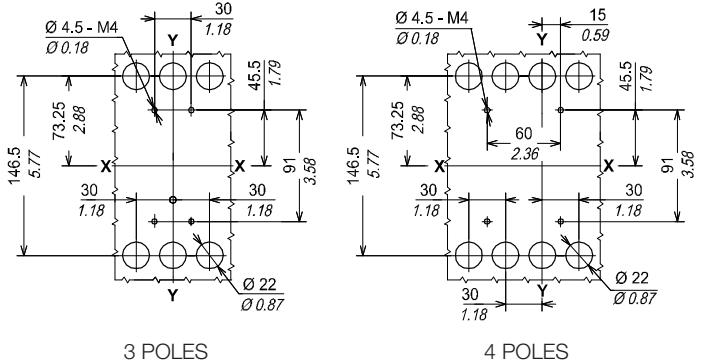
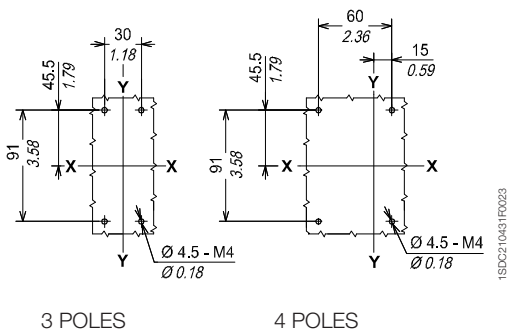
Without flange and circuit breaker face extending (3 POLES)

Without flange and circuit breaker face extending (4 POLES)

Drilling templates for support sheet

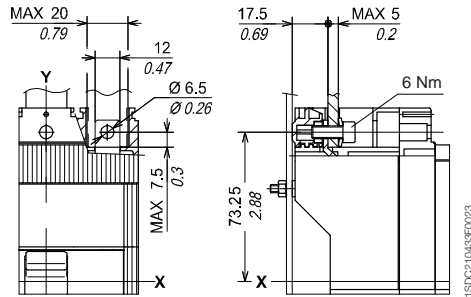
For front terminals

For rear terminals

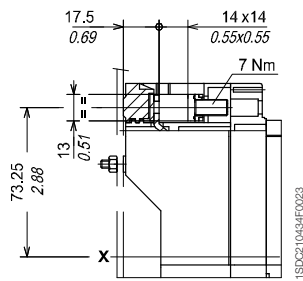


Terminals

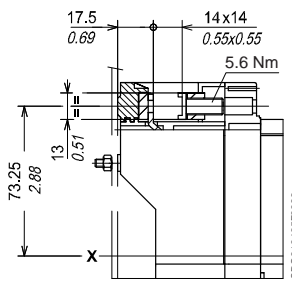
Front - F



Front for copper cables - FC Cu



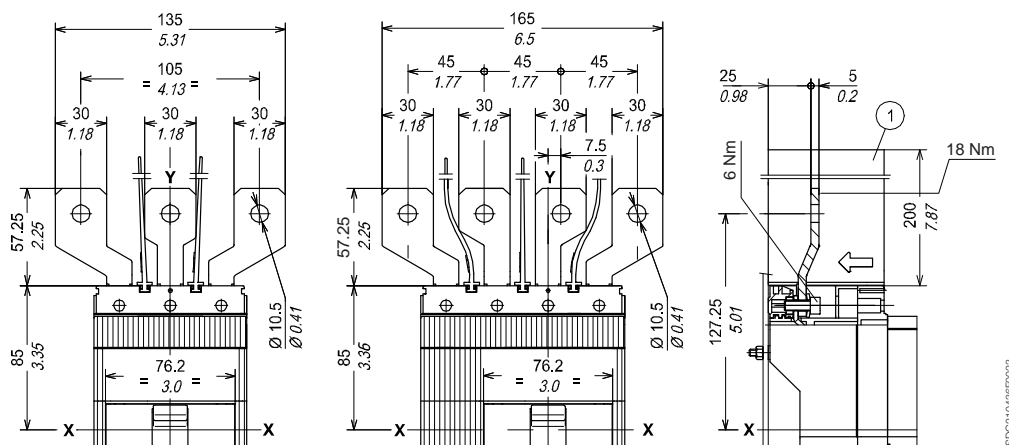
Front for copper/aluminium cables - FC CuAl 1/0 AWG/50 mm²



Caption

Front extended spread - ES

- ① Insulating barriers between phases (compulsory)



Overall dimensions

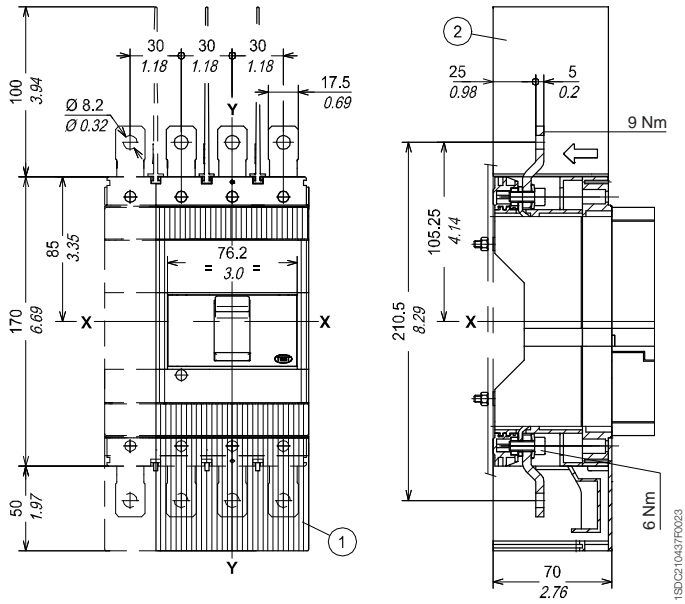
Tmax T2

Terminals

Caption

- ① High terminal covers with degree of protection IP40
- ② Insulating barriers between phases (compulsory with-out 1)

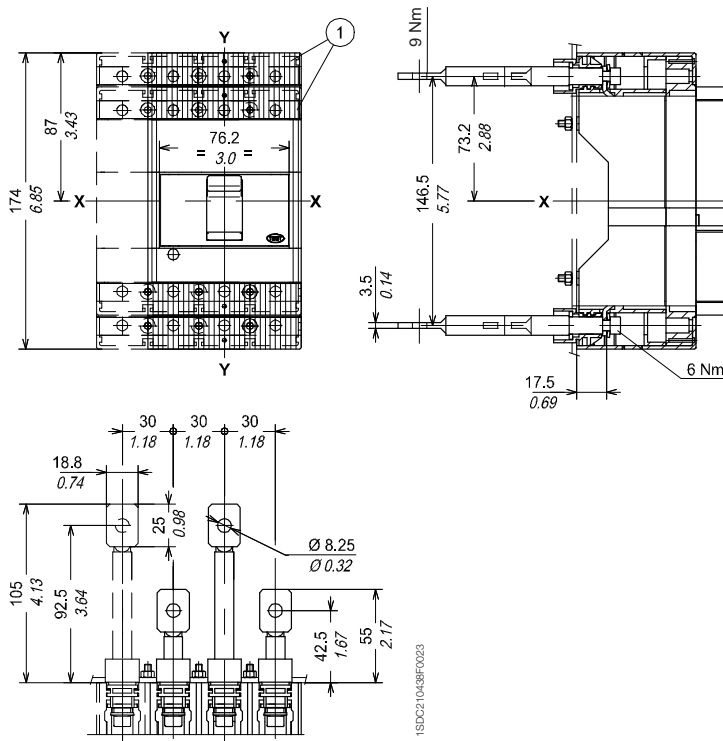
Front extended - EF



Caption

- ① Low terminal covers with degree of protection IP40

Rear - R



Overall dimensions

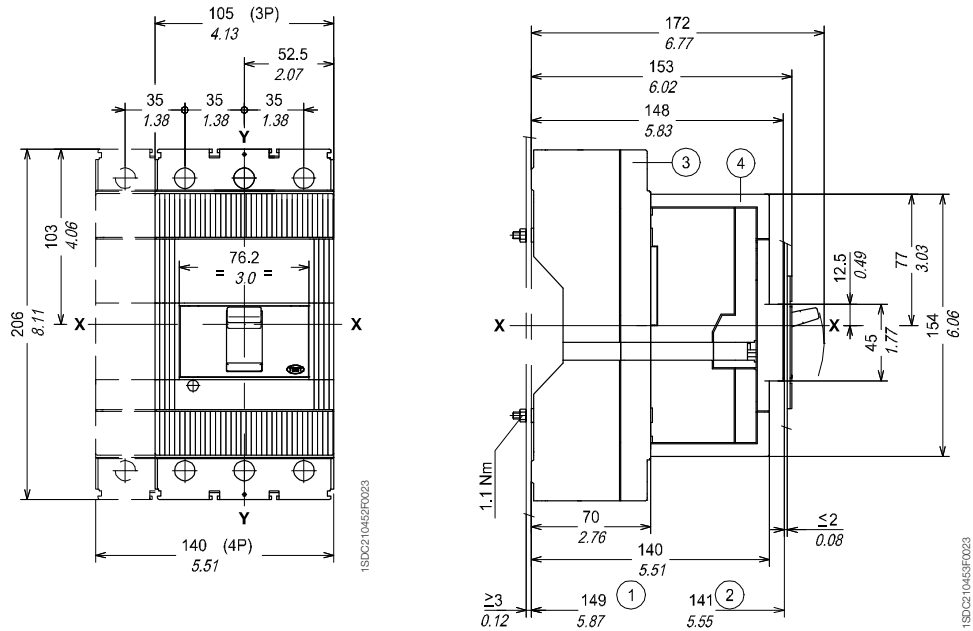
Tmax T3

Plug-in circuit breaker

Caption

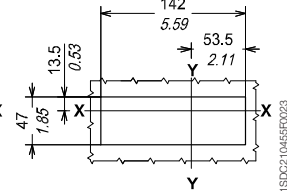
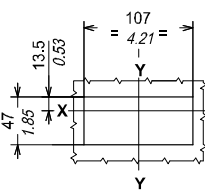
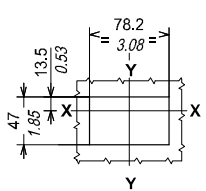
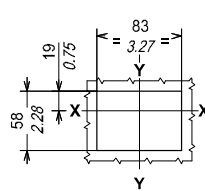
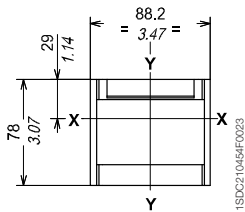
Fixing on sheet

- ① Depth of the switchboard in the case of circuit breaker with face not extending from the compartment door, with or without flange
- ② Depth of the switchboard in the case of circuit breaker with face extending from the compartment door, without flange
- ③ Fixed part
- ④ Moving part with terminal covers, degree of protection IP40



Flange for compartment door

Drilling templates of the compartment door



With flange and circuit breaker face flush with door (3-4 POLES)

Without flange and circuit breaker face flush with door (3-4 POLES)

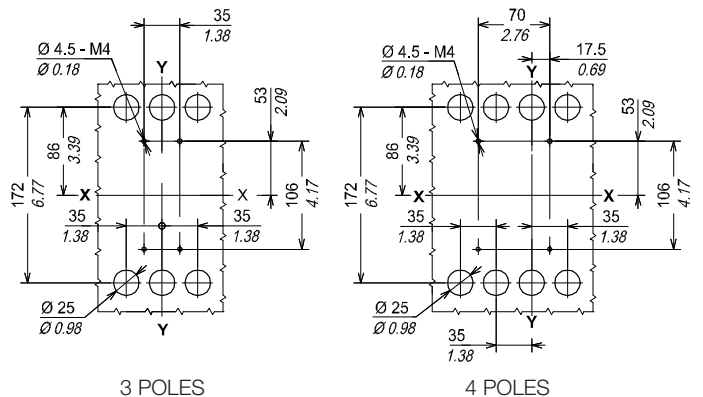
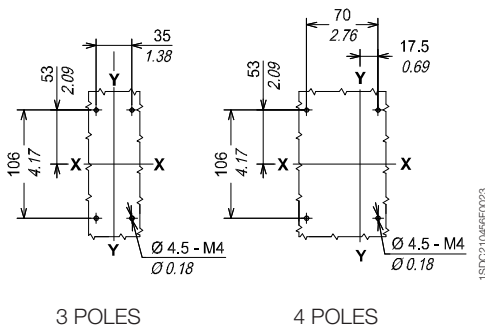
Without flange and circuit breaker face extending (3 POLES)

Without flange and circuit breaker face extending (4 POLES)

Drilling templates for support sheet

For front terminals

For rear terminals

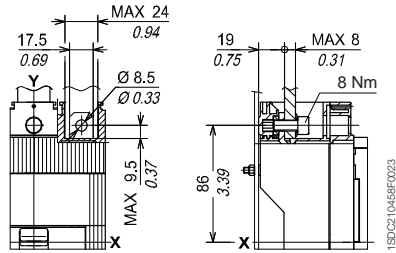


Overall dimensions

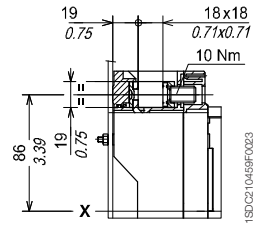
Tmax T3

Terminals

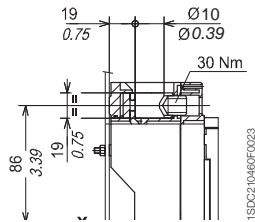
Front - F



Front for copper cables - FC Cu



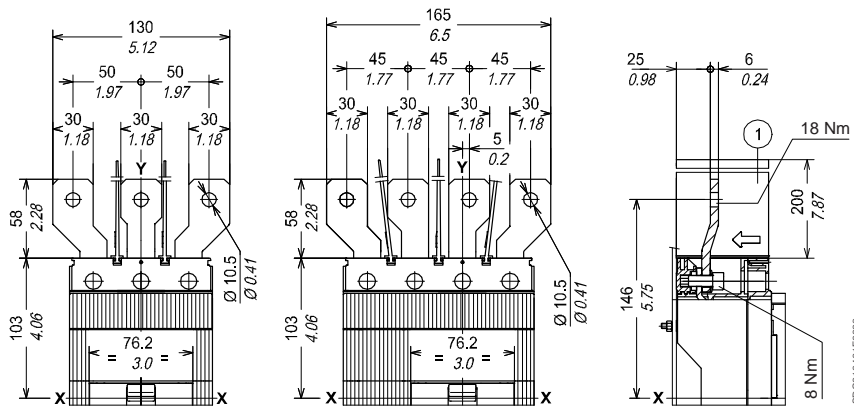
Front for copper/aluminium cables - FC CuAl 1/0 AWG/50 mm²



Caption

- ① Insulating barriers between phases (compulsory)

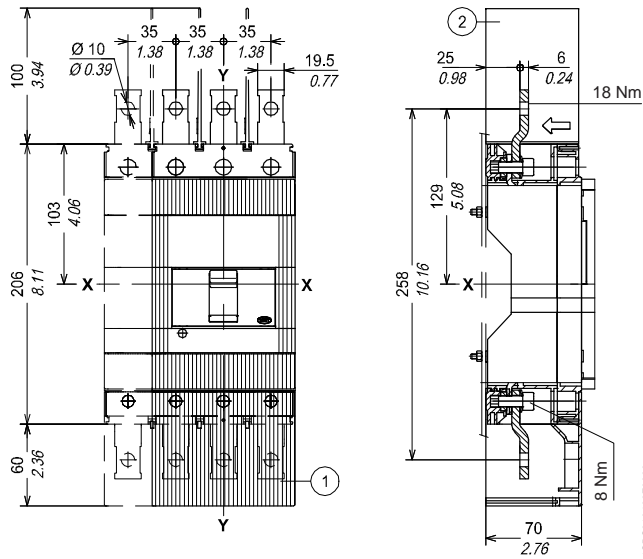
Front extended spread - ES



Caption

- ① High terminal covers with degree of protection IP40
- ② Insulating barriers between phases (compulsory without 1)

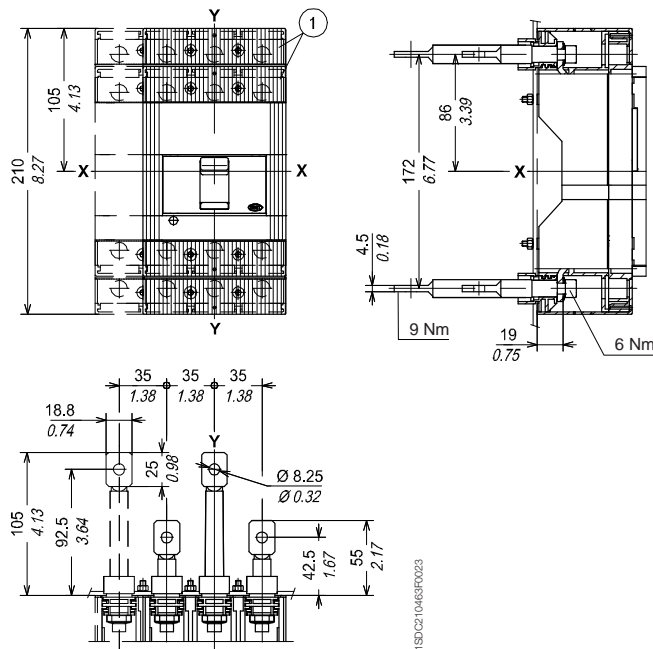
Front extended - EF



Caption

- ① Low terminal covers with degree of protection IP40

Rear - R



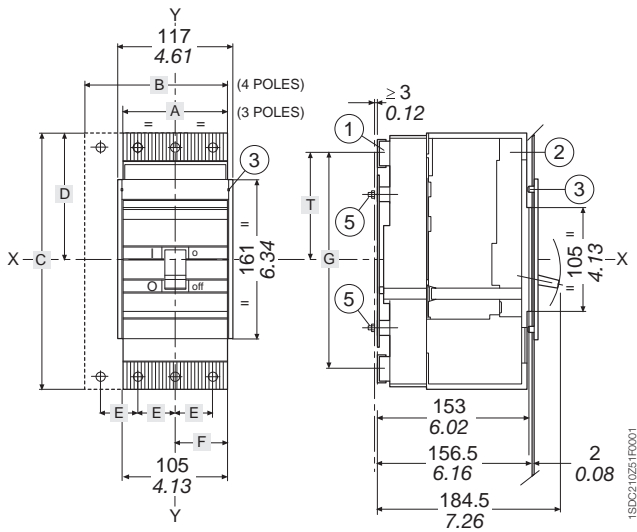
Overall dimensions

Tmax Ts3

Plug-in circuit breaker

Caption

- ① Cradle
- ② Moving part complete with IP20 protection class terminal covers
- ③ Flange for compartment door
- ④ Lock for compartment door (to order)
- ⑤ Tightening torque 1.1 Nm



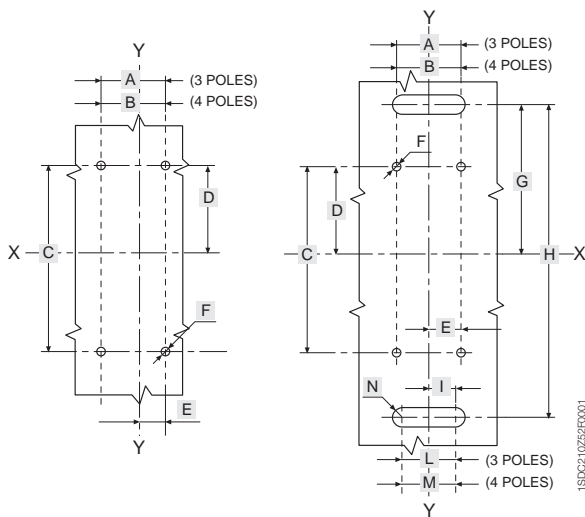
	A	B	C	D	E	F	G	H
Ts3	105 4.13	140 5.51	175 6.89	89.75 3.53	35 1.38	52.5 2.07	143 5.63	84 3.31

Template for drilling sheet metal support

(minimum thickness of sheet metal: 0.12"/3 mm)

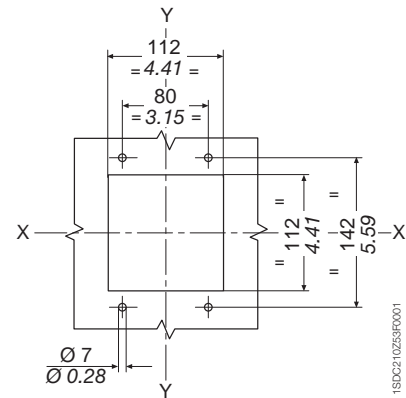
For terminals:
Front for flat bars
Front for cables

For terminals:
Threaded rear



Template for drilling compartment door and fitting flange

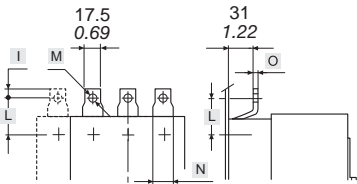
(thickness of sheet metal: 0.08"/2 mm)



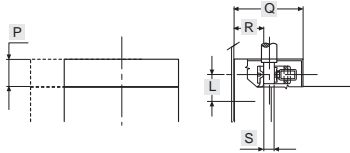
	A	B	C	D	E	F	G	H	I	L	M	N
Ts3	70 2.76	105 4.13	100 3.94	52.25 2.06	25 0.98	M4-Ø5 M4-Ø0.20	73.75 2.90	143 5.63	35 1.38	70 2.76	105 4.13	R14 R0.55

Terminals

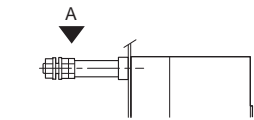
Front for flat bars (up to 400 A)



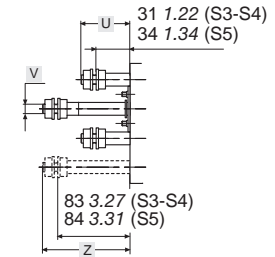
Front for cables (up to 400 A)



Threaded rear



View A



1SDC210254F0001

	I	L	M	N	O	P	Q	R	S	T	U	V	Z
Ts3	10	33.5	Ø8.5	20	5	37.5	79.5	36	18x18	73.75	48	M12	100
	0.39	1.32	Ø0.33	0.79	0.20	1.48	3.13	1.42	0.71x0.71	2.90	1.89		3.94

Overall dimensions

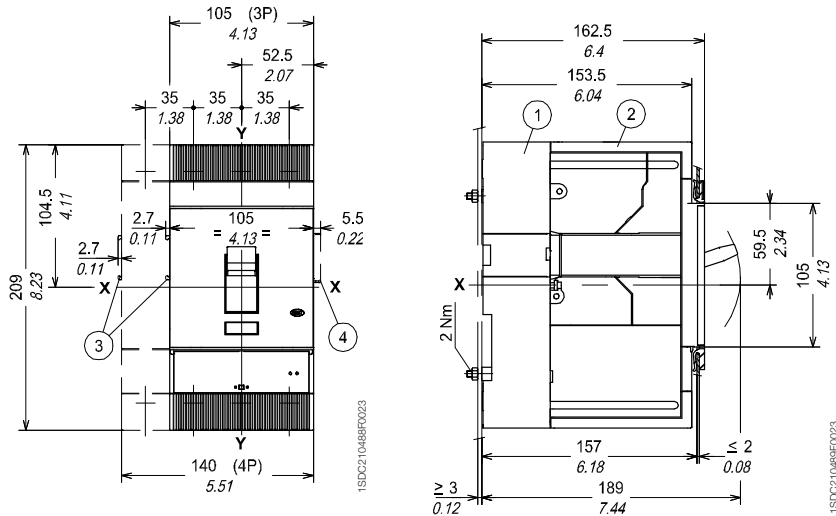
Tmax T4

Plug-in circuit breaker

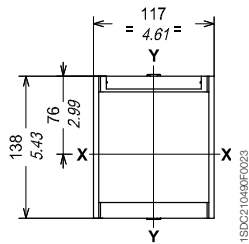
Caption

Fixing on sheet

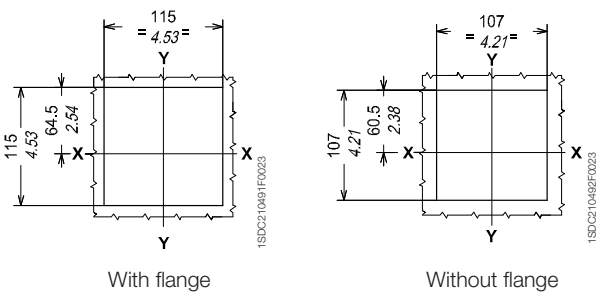
- ① Fixed part
- ② Moving part with terminal covers, degree of protection IP40
- ③ Overall dimensions with cabled accessories mounted (SOR-C, UVR-C, RC221-222)
- ④ Overall dimensions with cabled auxiliary contacts mounted (only 3Q 1SY)



Flange for compartment door

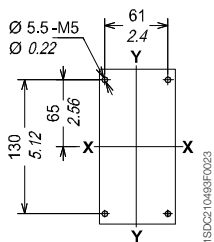


Drilling templates of the compartment door

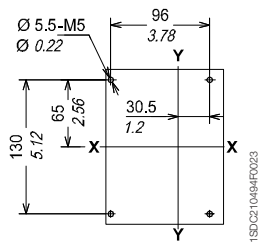


Drilling templates for support sheet

For front terminals

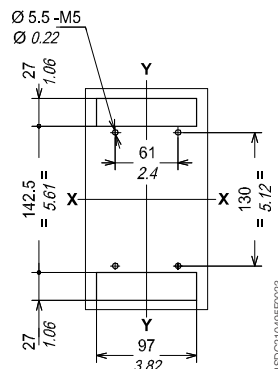


3 POLES

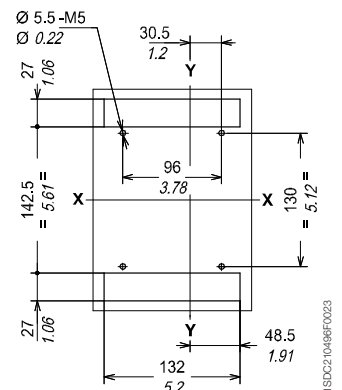


4 POLES

For rear terminals



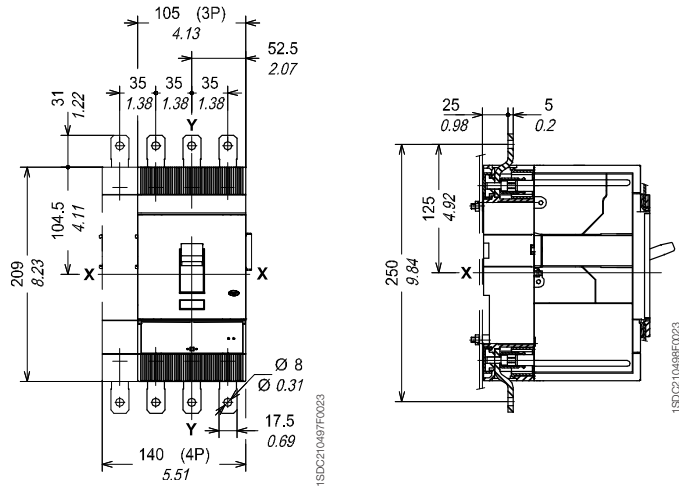
3 POLES



4 POLES

Terminals

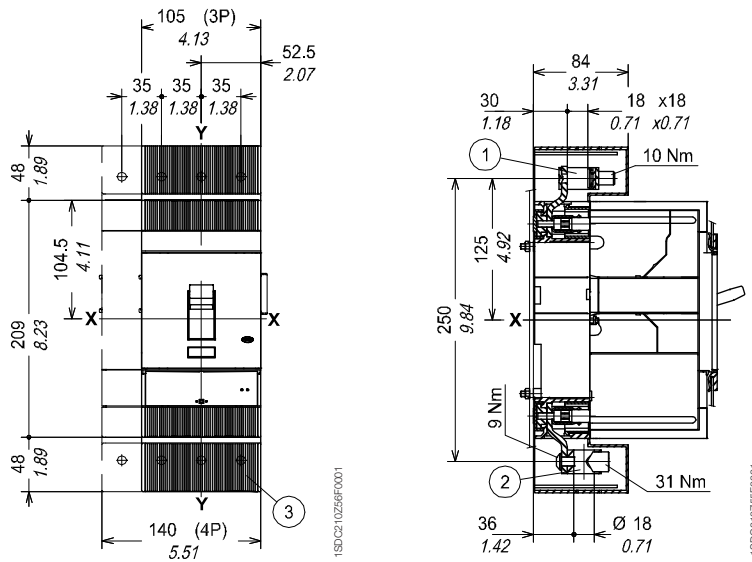
Front - EF



Caption

Front for copper cables - FC Cu or for copper/aluminium cables - FC CuAl

- ① For Cu cables
- ② For Cu Al cables
- ③ High terminal covers with degree of protection IP40

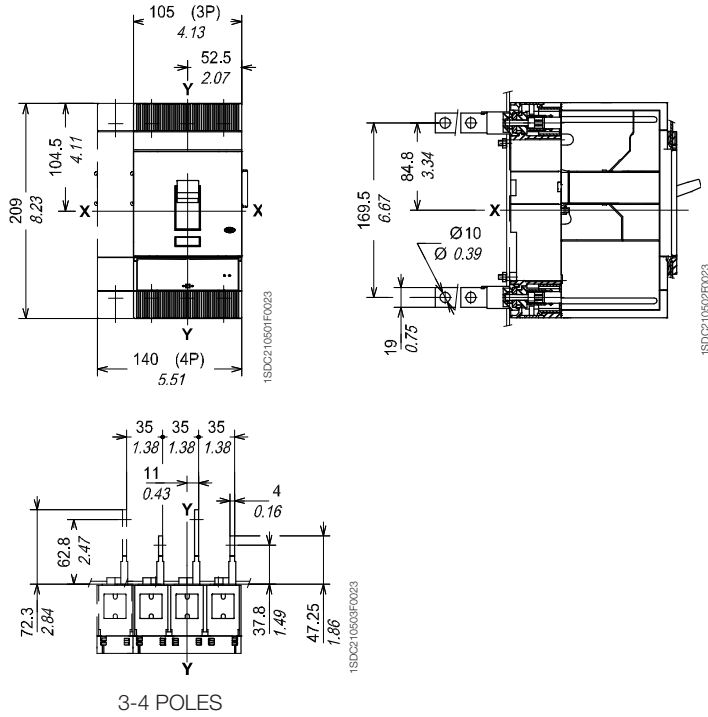


Overall dimensions

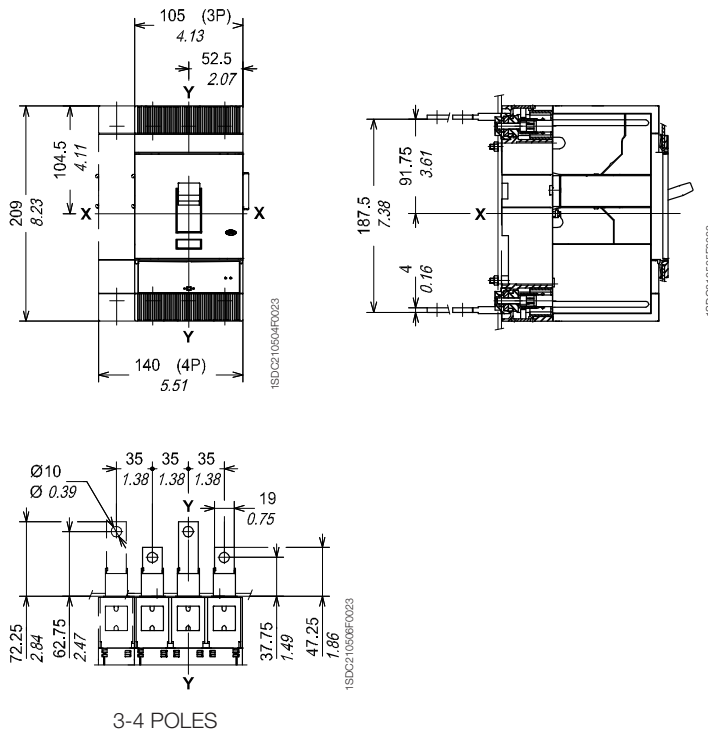
Tmax T4

Terminals

Rear flat vertical - VR



Rear flat horizontal - HR



6

Overall dimensions

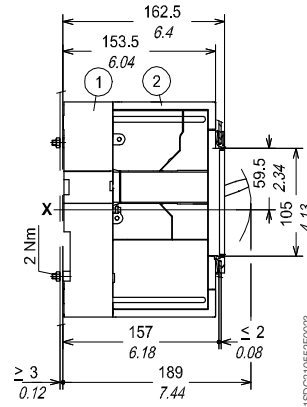
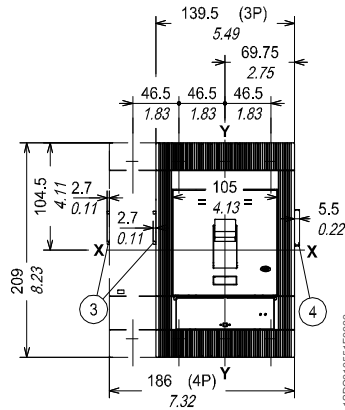
Tmax T5 (400 A)

Plug-in circuit breaker

Caption

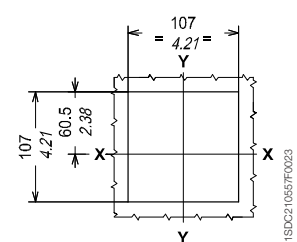
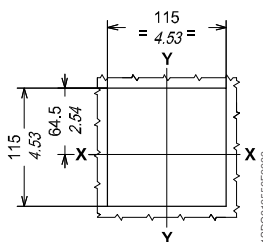
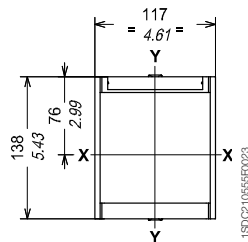
Fixing on sheet

- ① Fixed part
- ② Moving part with terminal covers, degree of protection IP40
- ③ Overall dimensions with cabled accessories mounted (SOR-C, UVR-C, RC221-222)
- ④ Overall dimensions with cabled auxiliary contacts mounted (only 3Q 1SY)



Flange for compartment door

Drilling templates of the compartment door



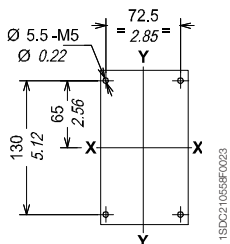
With flange

Without flange

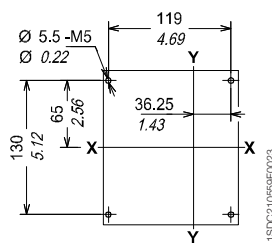
Drilling templates for support sheet

For front terminals

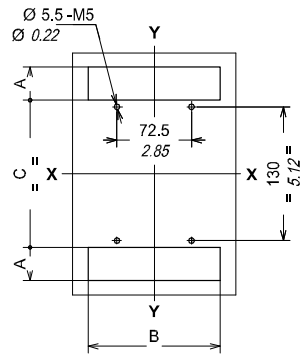
For rear terminals



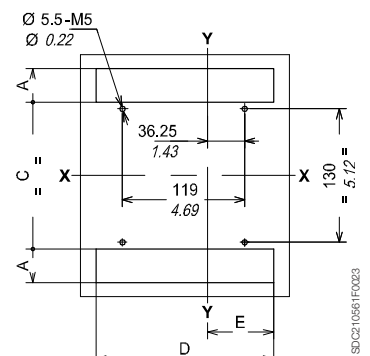
3 POLES



4 POLES



3 POLES



4 POLES

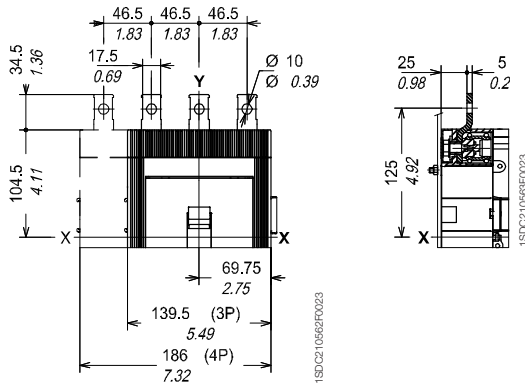
	A	B	C	D	E
Rear 400 A	32.5	128.5	143	172.5	64.5
	1.28	5.06	5.63	6.79	2.54

Overall dimensions

Tmax T5 (400 A)

Terminals

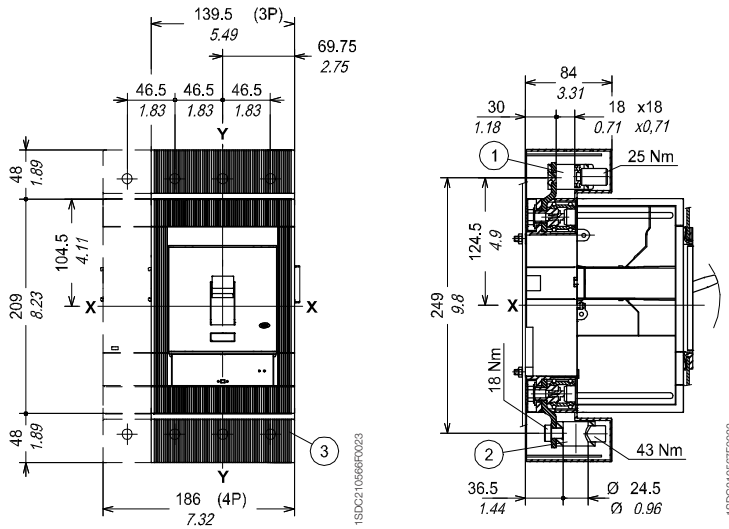
Extended front - EF



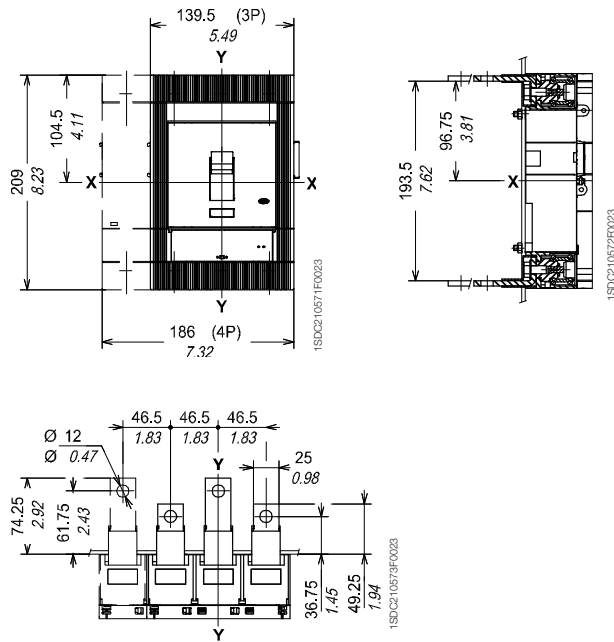
Caption

Front for cables Cu and Cu/Al - FC Cu - FC Cu/Al

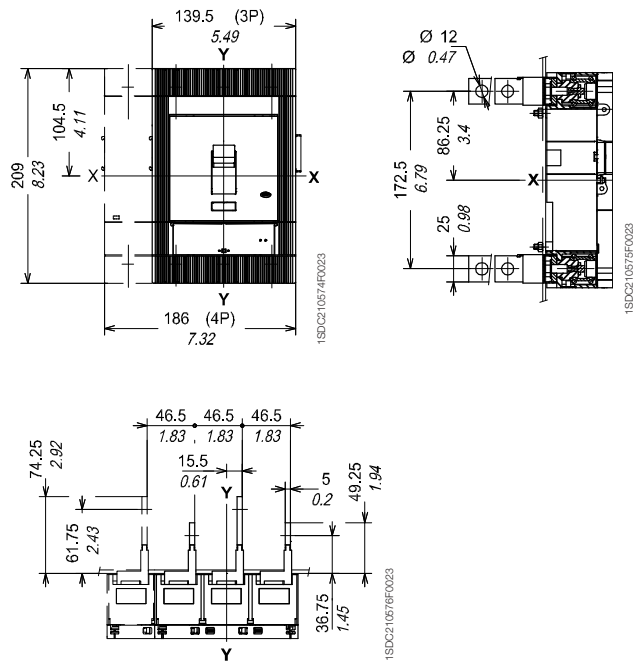
- ① Front terminals for cables Cu
- ② Front terminals for cables Cu/Al
- ③ High terminal covers with degree of protection IP40



Rear flat horizontal - HR



Rear vertical - VR



Overall dimensions

Tmax Ts3

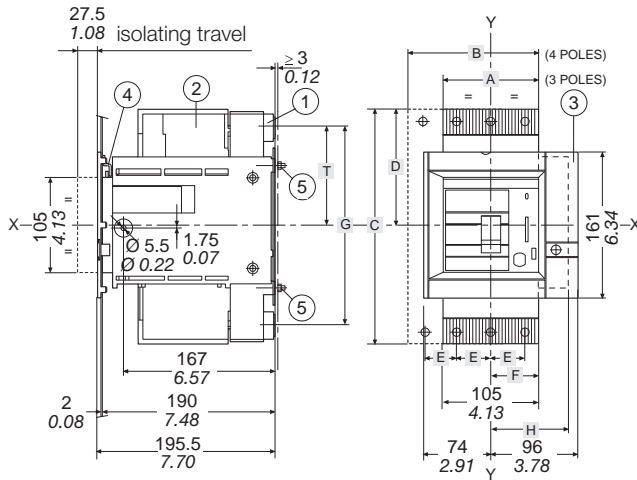
Draw out circuit breaker

Caption

- ① Cradle
- ② Moving part complete with IP20 protection class terminal covers
- ③ Flange for compartment door
- ④ Lock for compartment door (to order)
- ⑤ Tightening torque 1.1 Nm

Note: The draw out circuit breaker must be completed with one of the following accessories:

- front flange for operating lever mechanism
- rotary handle operating mechanism
- motor operator



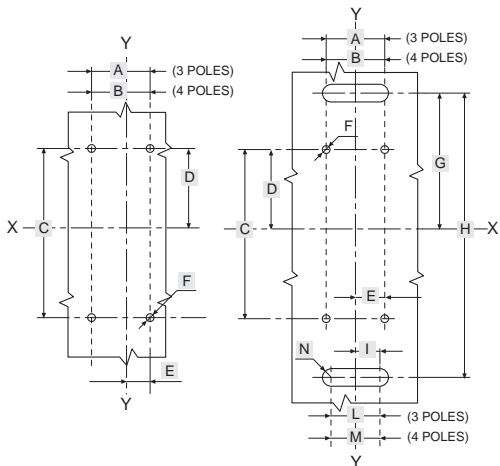
	A	B	C	D	E	F	G	H
Ts3	105	140	175	89.75	35	52.5	143	84
	4.13	5.51	6.89	3.53	1.38	2.07	5.63	3.31

Template for drilling sheet metal support

(minimum thickness of sheet metal: 0.12"/3 mm)

For terminals:
Front for flat bars
Front for cables

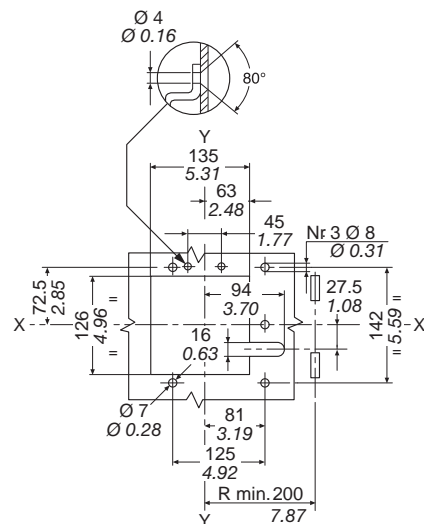
For terminals:
Threaded rear



	A	B	C	D	E	F	G	H	I	L	M	N
Ts3	70	105	100	52.25	25	M4-Ø5	73.75	143	35	70	105	R14
	2.76	4.13	3.94	2.06	0.98	M4-Ø0.20	2.90	5.63	1.38	2.76	4.13	R0.55

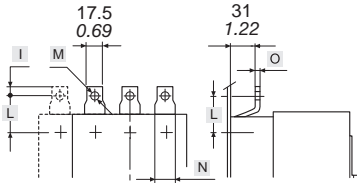
Template for drilling compartment door and fitting flange

(thickness of sheet metal: 0.08"/2 mm)

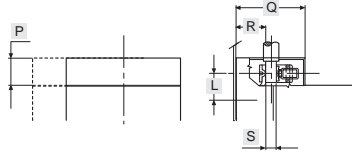


Terminals

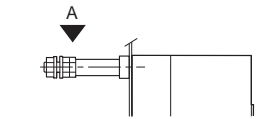
Front for flat bars (up to 400 A)



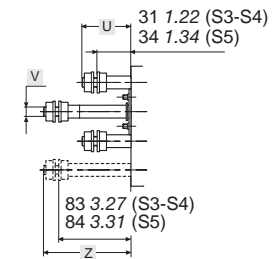
Front for cables (up to 400 A)



Threaded rear



View A



1SDC210261F0001

	I	L	M	N	O	P	Q	R	S	T	U	V	Z
Ts3	10 0.39	33.5 1.32	Ø8.5 Ø0.33	20 0.79	5 0.20	37.5 1.48	79.5 3.13	36 1.42	18x18 0.71x0.71	73.75 2.90	48 1.89	M12	100 3.94

Overall dimensions

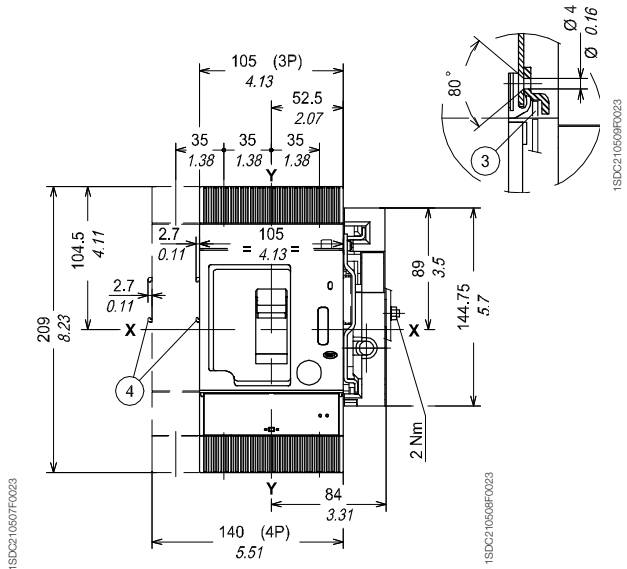
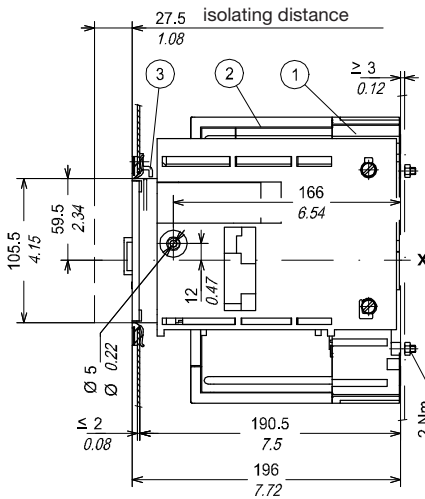
Tmax T4

Draw out circuit breaker

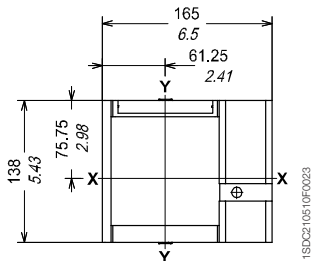
Caption

- ① Fixed part
- ② Moving part
- ③ Lock for compartment door (available on request)
- ④ Overall dimensions with cabled accessories mounted (SOR-C, UVR-C, RC221-222)

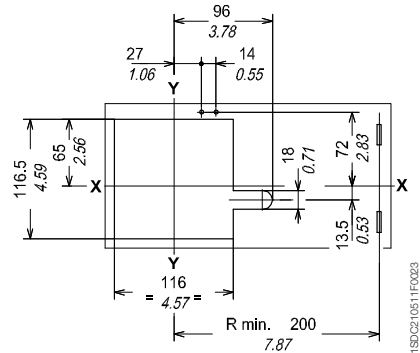
Fixing on sheet



Flange for compartment door

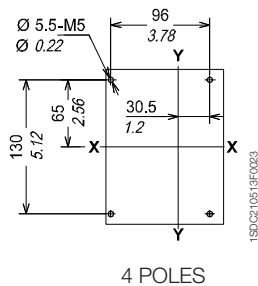
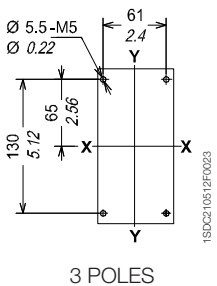


Drilling templates of the compartment door

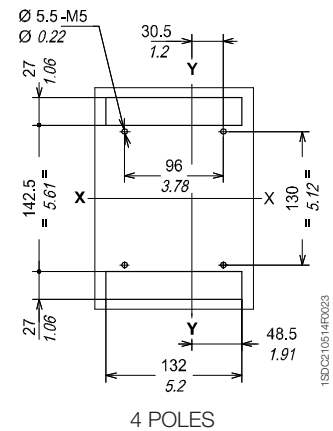
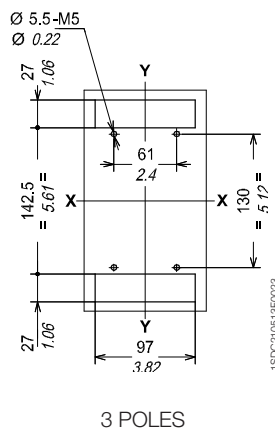


Drilling templates for support sheet

For front terminals

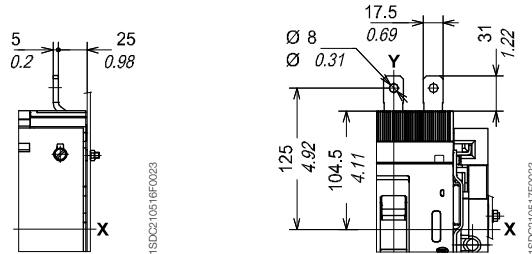


For rear terminals

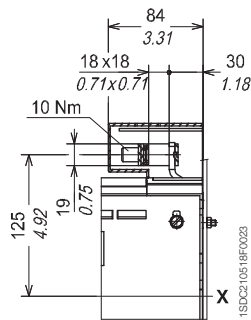


Terminals

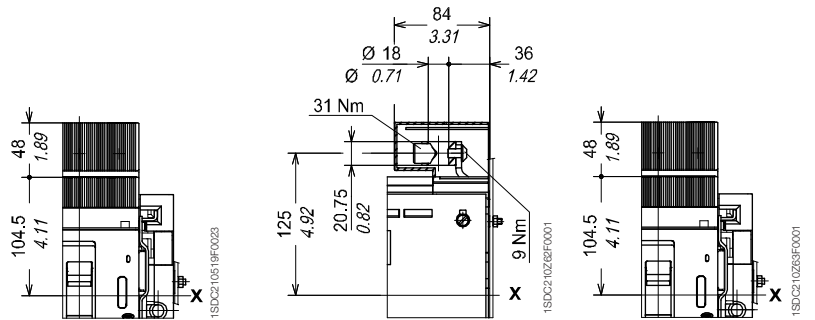
Front - EF



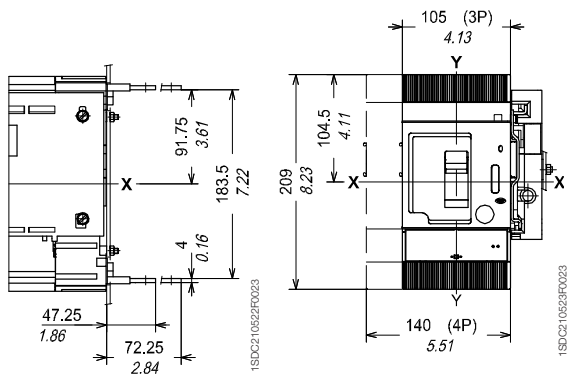
Front for copper cables - FC Cu



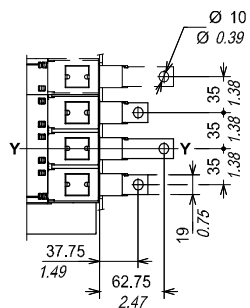
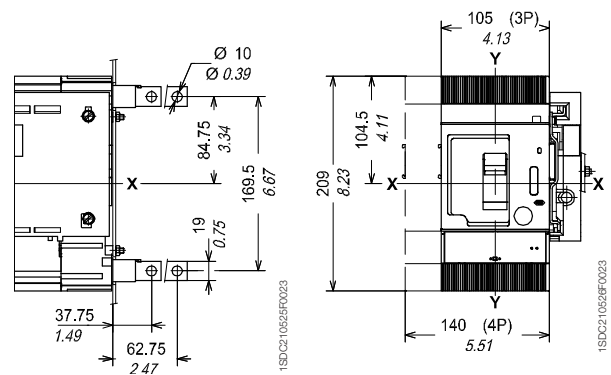
Front for copper/aluminium cables - FC CuAl



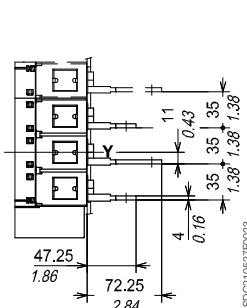
Rear flat horizontal - HR



Rear flat vertical - VR



3-4 POLES



3-4 POLES

Overall dimensions

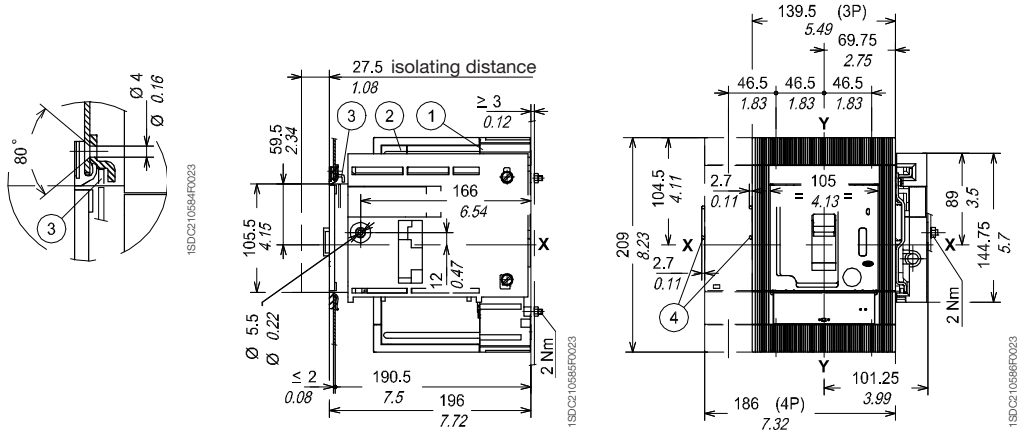
Tmax T5

Draw out circuit breaker

Caption

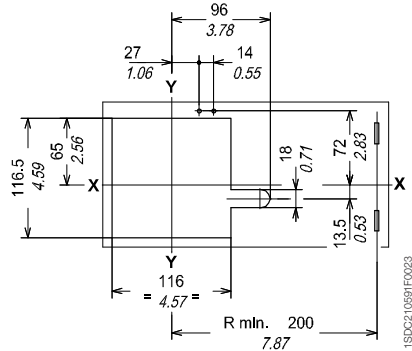
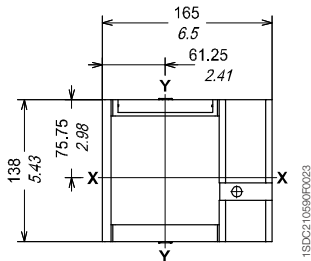
Fixing on sheet

- ① Fixed part
- ② Moving part with terminal covers, degree of protection IP40
- ③ Lock for compartment door (available on request)
- ④ Overall dimensions with cabled accessories mounted (SOR-C, UVR-C, RC221-222)



Flange for compartment door

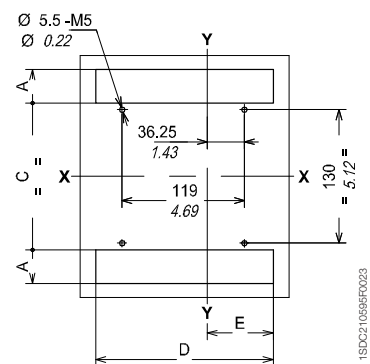
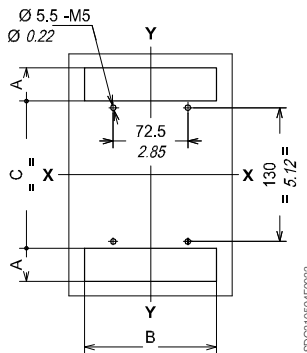
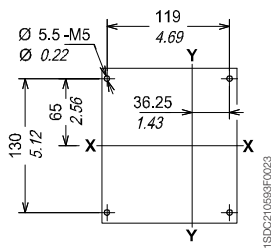
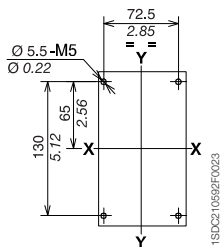
Drilling templates of the compartment door



Drilling templates for support sheet

For front terminals

For rear terminals



3 POLES

4 POLES

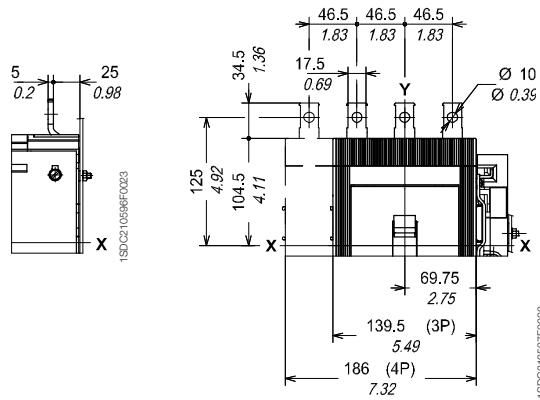
3 POLES

4 POLES

	A	B	C	D	E
Rear 400 A	32.5	128.5	143	172.5	64.5
	1.28	5.06	5.63	6.79	2.54

Terminals

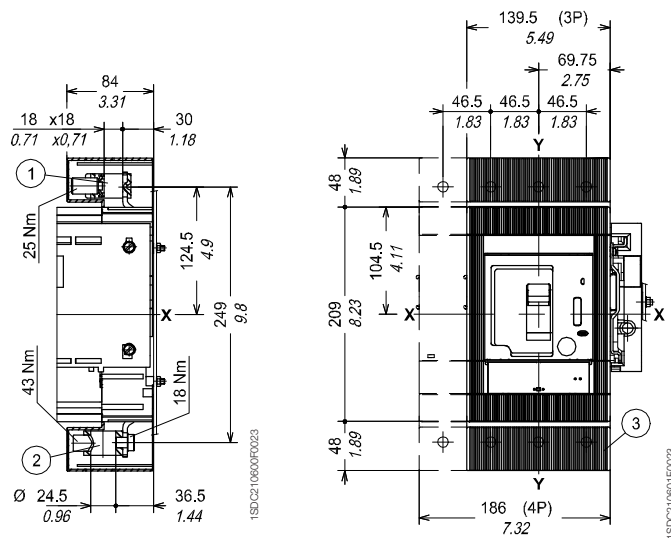
Extended front - EF



Caption

Front for cables Cu and Cu/Al 400 A - FC Cu - FC Cu/Al

- ① Front terminals for copper cables
- ② Front terminals for copper/aluminium cables
- ③ Terminals with degree of protection IP40

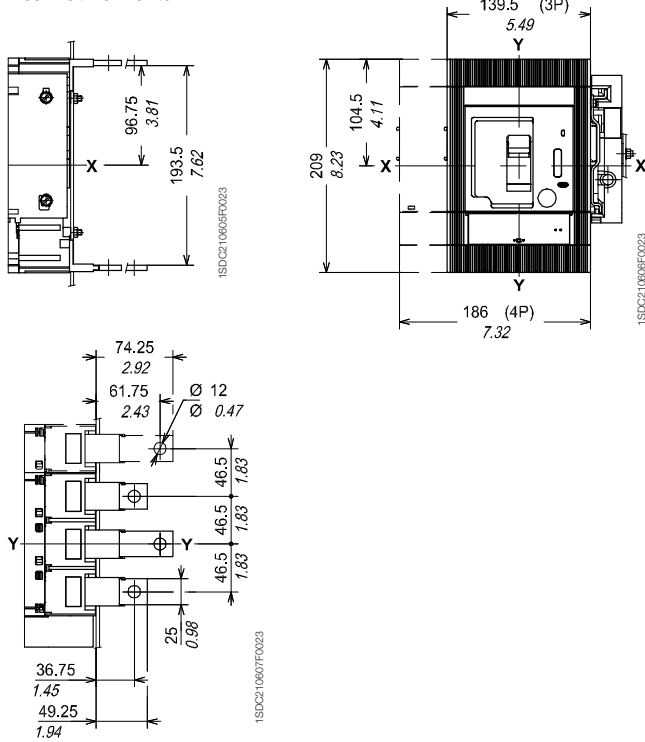


Overall dimensions

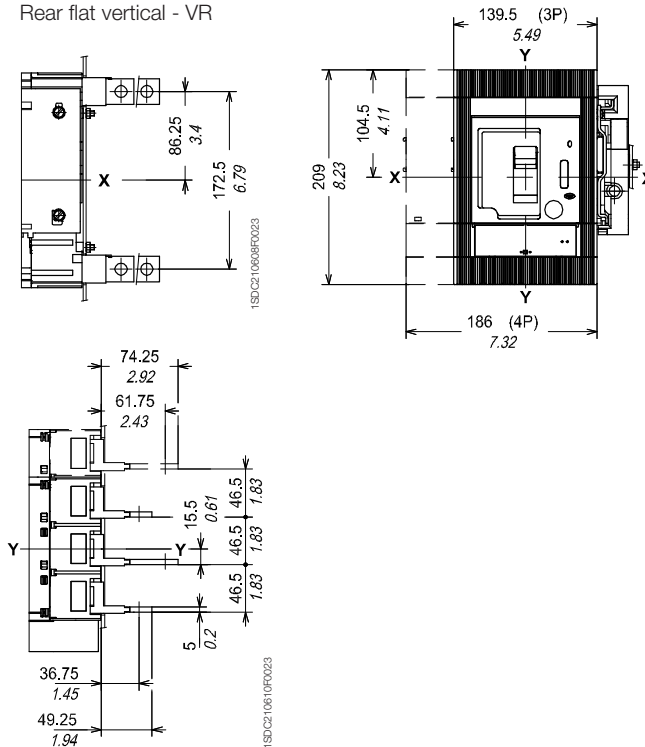
Tmax T5

Terminals

Rear flat horizontal - HR



Rear flat vertical - VR



Overall dimensions

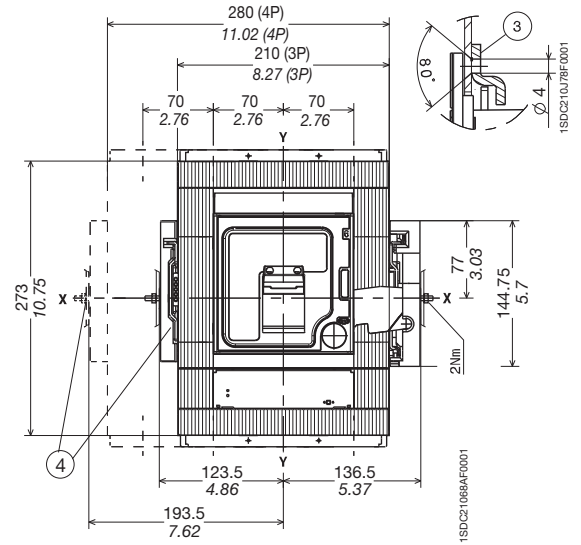
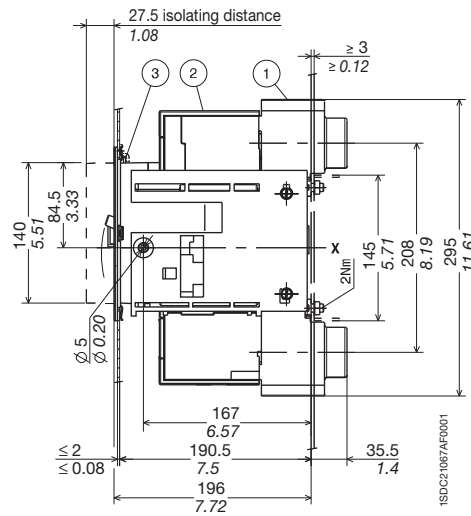
Tmax T6

Draw out circuit breaker

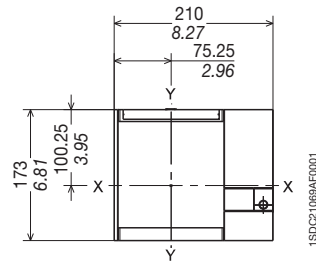
Caption

- ① Cradle
- ② Moving part
- ③ Lock for compartment (available on request)
- ④ Overall dimensions with cabled accessories mounted (SOR-C, UVR-C)

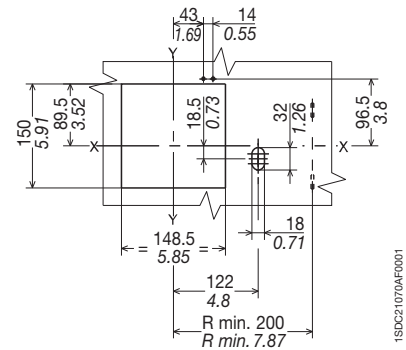
Fixing on sheet



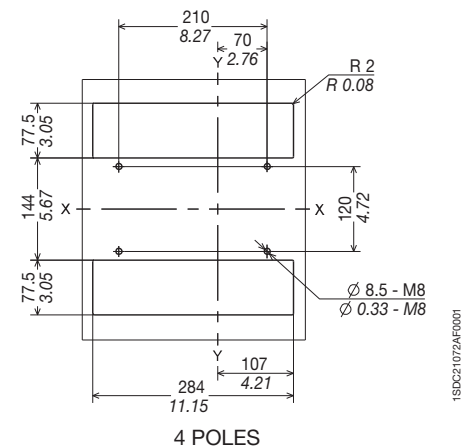
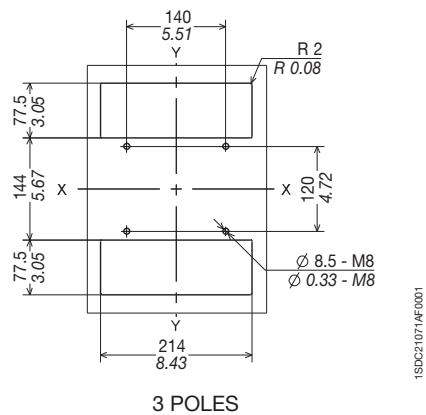
Flange for compartment door



Drilling templates of the compartment door



Drilling templates for support sheet

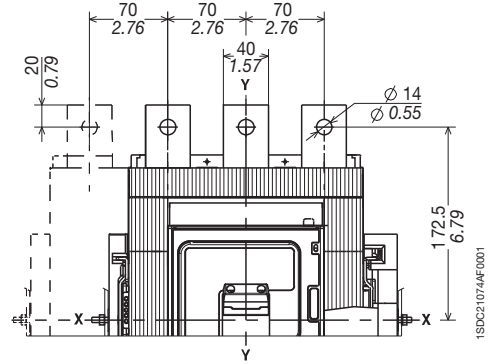
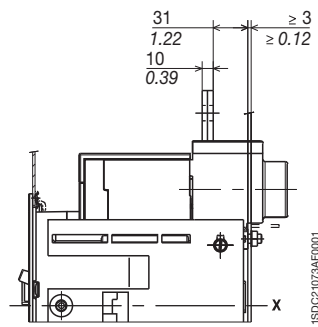


Overall dimensions

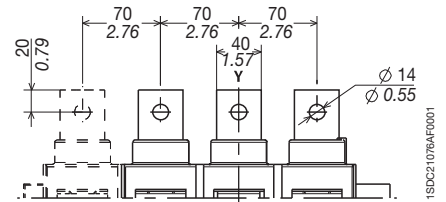
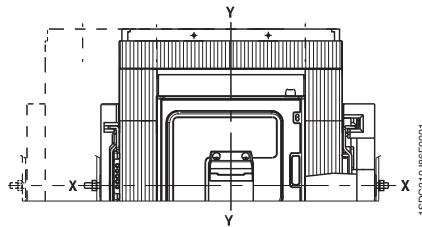
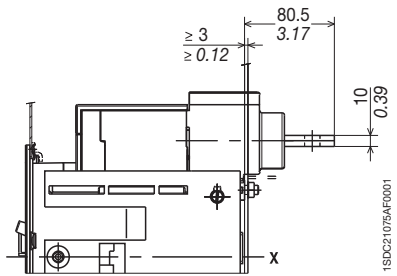
Tmax T6

Terminals

Front extended - EF

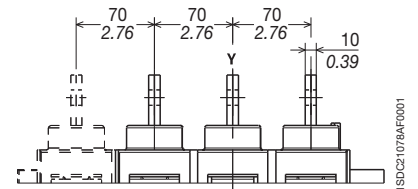
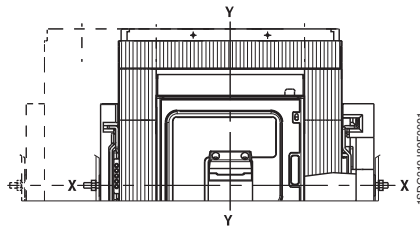
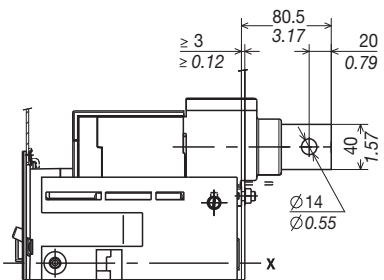


Rear flat horizontal - HR



3-4 POLES

Rear flat vertical - VR



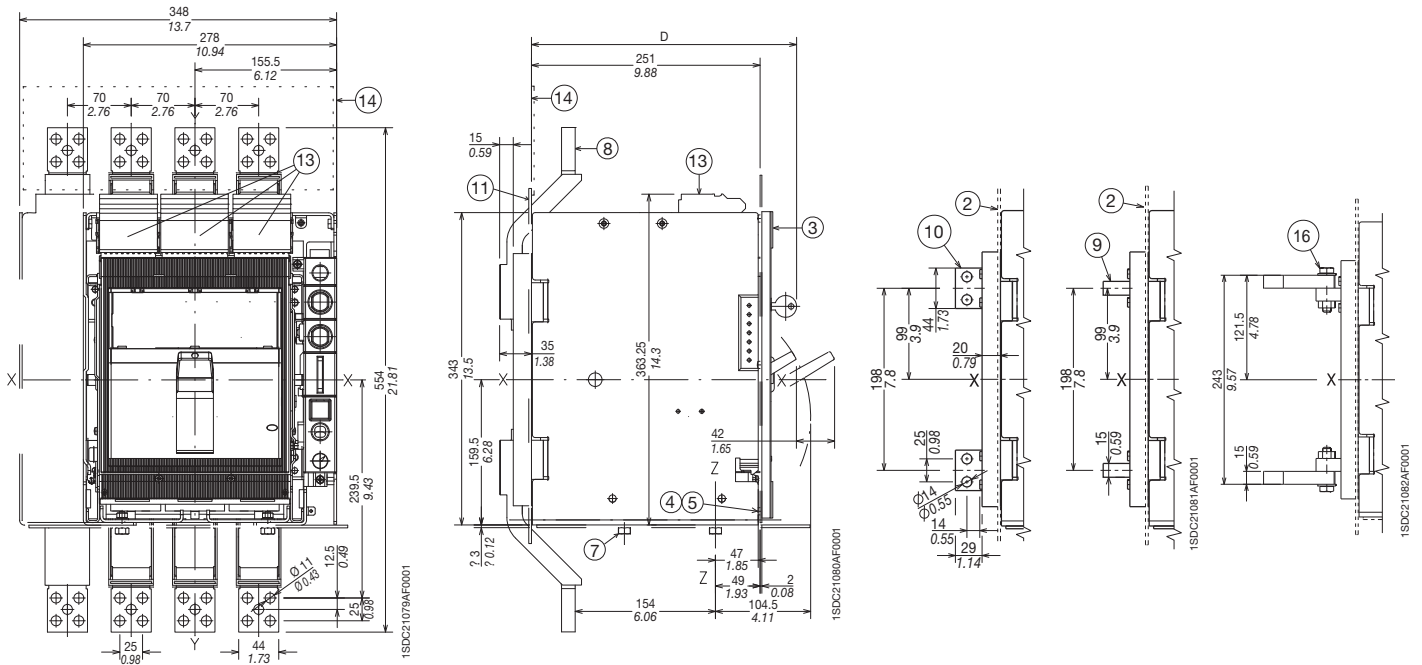
3-4 POLES

Overall dimensions

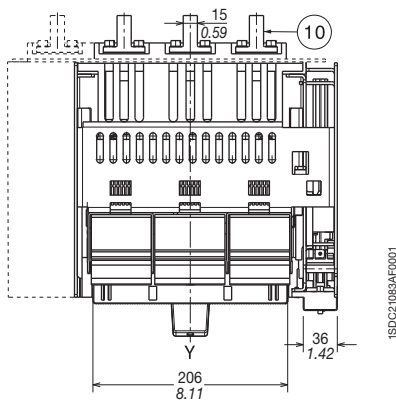
Tmax T7

Draw out circuit breaker

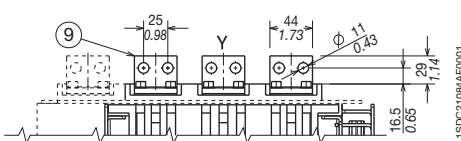
Fixing on sheet



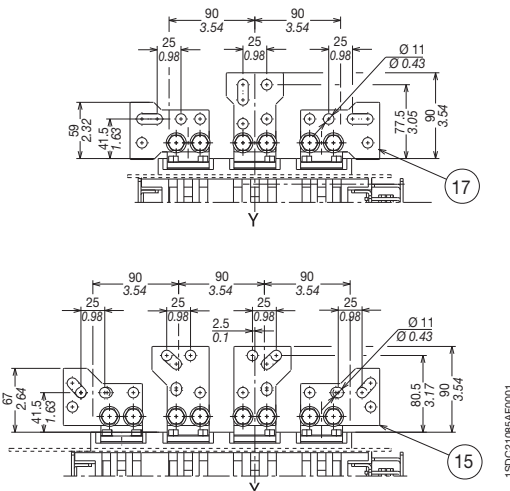
Rear flat vertical - VR



Rear flat horizontal - HR



Rear spread terminal - RS



Caption

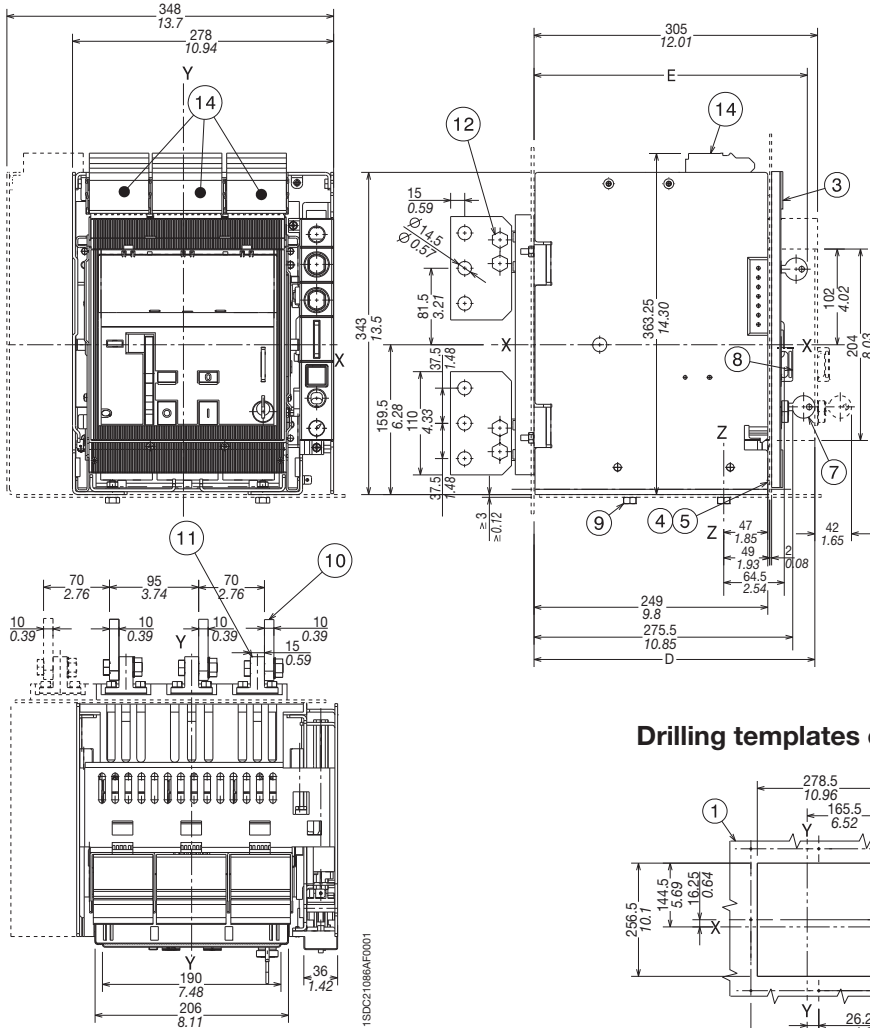
- ① Compartment door with flange sheet drilling
- ② Rear segregation for rear terminals
- ③ Flange for compartment door
- ④ Flange fixing screws
- ⑤ Tightening torque: 1.5 Nm
- ⑥ Drilling template for fixing onto support sheet
- ⑦ Tightening torque: 21 Nm
- ⑧ Front terminals
- ⑨ Rear horizontal terminals
- ⑩ Rear vertical terminals
- ⑪ Rear segregation for front terminals
- ⑫ Flange for compartment door
- ⑬ Auxiliary contact terminal
- ⑭ Insulating protection
- ⑮ Rear spread terminals (4 poles)
- ⑯ Tightening torque 18 Nm
- ⑰ Rear spread terminals (3 poles)

Overall dimensions

Tmax T7

Draw out circuit breaker

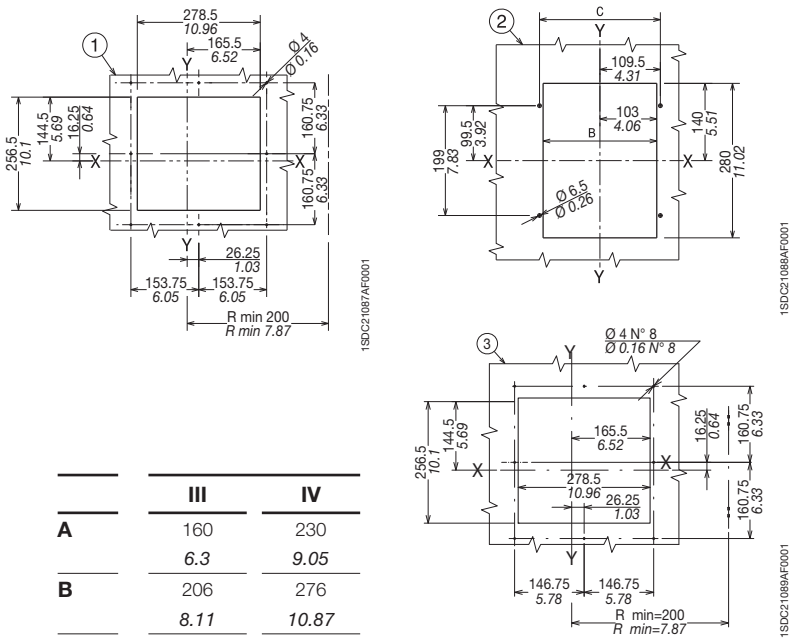
Terminals - ES



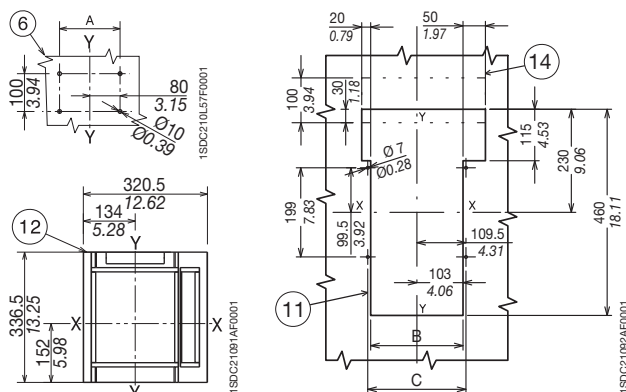
Caption

- ① Drilling a hole in the sheet metal door to the compartment with the flange for the VR-HR-EF-ES terminals
- ② Rear segregation for rear terminals
- ③ Drilling a hole in the sheet metal door to the compartment with the flange for the RS terminals
- ⑤ Tightening torque: 1.5 Nm
- ⑥ Drilling template for fixing onto support sheet
- ⑪ Rear segregation for front terminals
- ⑫ Flange for compartment door
- ⑭ Insulating protection

Drilling templates of the compartment door



Drilling templates for support sheet



	III	IV
A	160	230
	6.3	9.05
B	206	276
	8.11	10.87
C	219	289
	8.62	11.38

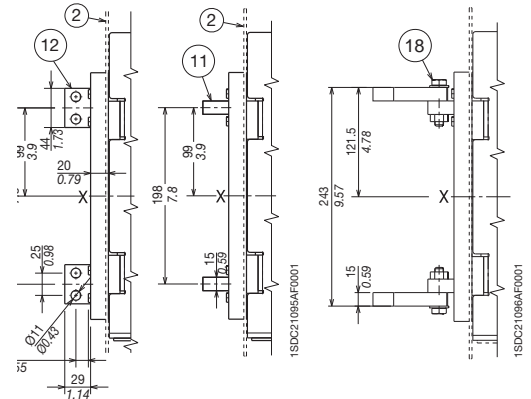
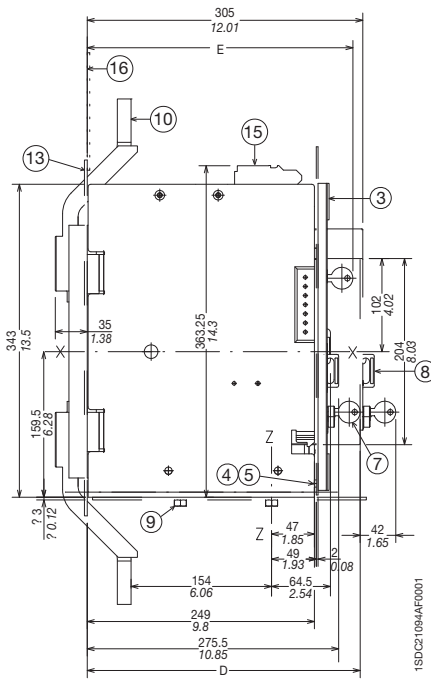
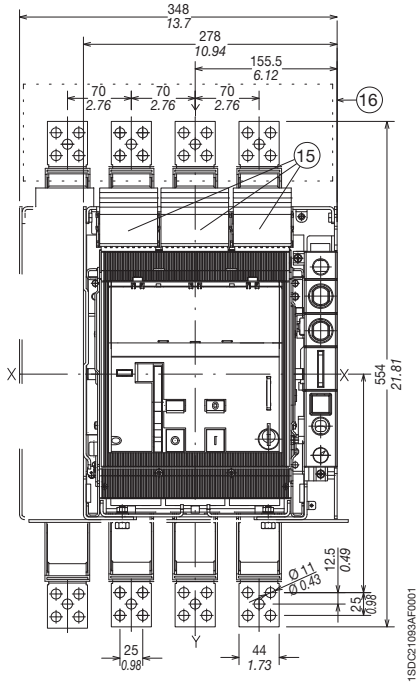
	Standard	Ronis	Profalux	Kirk	Castell
D	287	291	299	298	328
	11.3	11.46	11.77	11.73	12.91

Overall dimensions

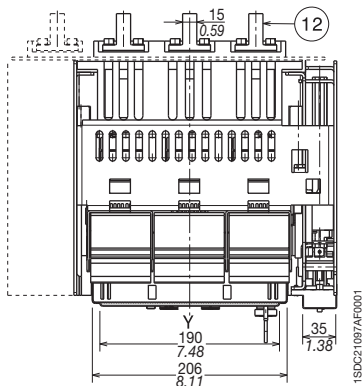
Tmax T7M

Draw out circuit breaker

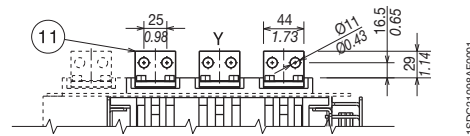
Front extended - EF



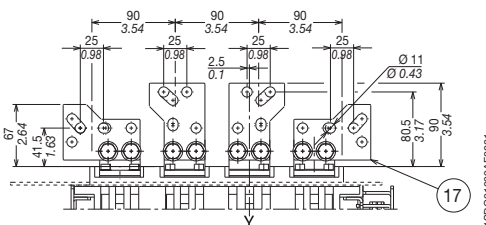
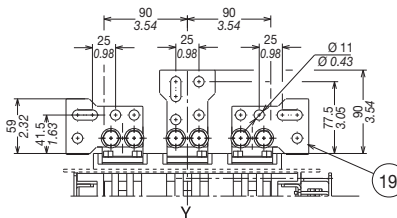
Rear flat vertical - VR



Rear flat horizontal - HR



Rear spread terminal - RS



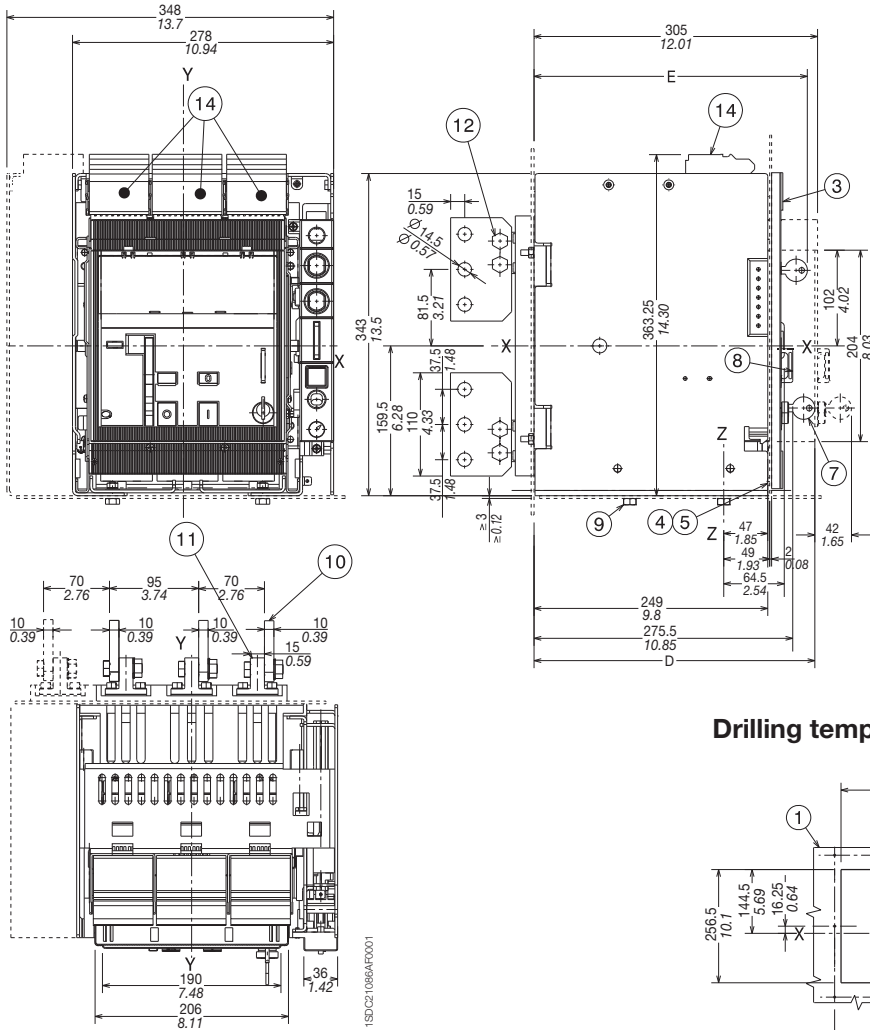
Caption

- ① Compartment door steel sheet drilling for flange
- ② Rear segregation for rear terminals
- ③ Flange for the compartment door
- ④ Flange fixing screws
- ⑤ Tightening torque: 1.5 Nm
- ⑦ Key lock (optional)
- ⑧ Padlock (optional)
- ⑨ Tightening torque: 21 Nm
- ⑩ Front terminal
- ⑪ Rear horizontal terminal
- ⑫ Rear vertical terminal
- ⑬ Rear segregation for front terminals
- ⑭ Flange for compartment door
- ⑮ Overall dimensions of the auxiliary contact terminals
- ⑯ Insulating protection
- ⑰ Rear spread terminals (4 poles)
- ⑱ Tightening torque 18 Nm
- ⑲ Rear spread terminals (3 poles)

Overall dimensions

Tmax T7M

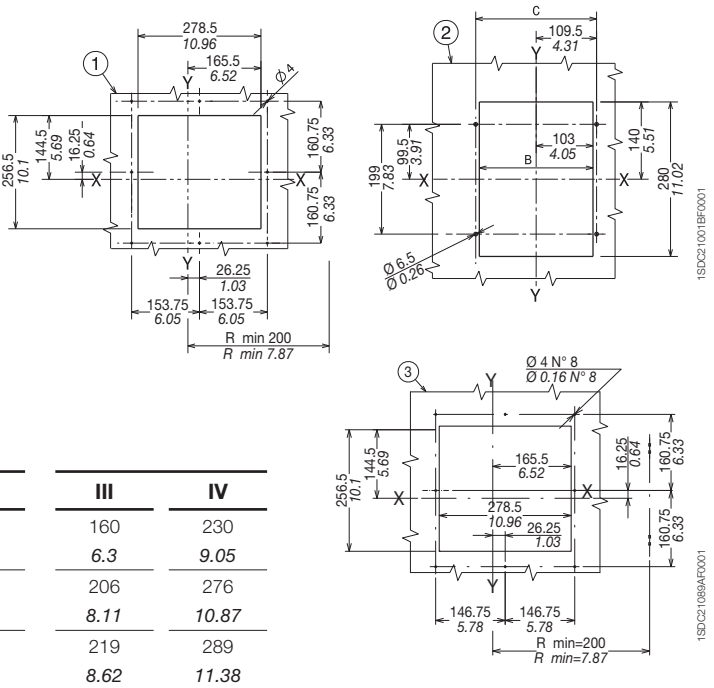
Drilling templates of the compartment door



Caption

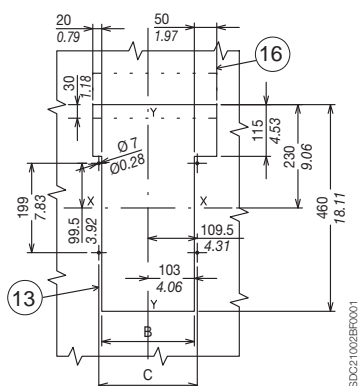
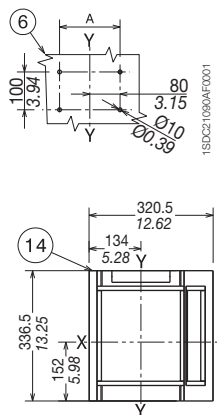
- ① Drilling a hole in the sheet metal door to the compartment with the flange for the VR-HR-EF-ES terminals
- ② Rear segregation for rear terminals
- ③ Drilling a hole in the sheet metal door to the compartment with the flange for the RS terminals
- ⑥ Drilling template for fixing onto support sheet
- ⑬ Rear segregation for front terminals
- ⑭ Flange for compartment door
- ⑯ Insulating protection

Drilling templates for support sheet



	III	IV
A	160	230
	6.3	9.05
B	206	276
	8.11	10.87
C	219	289
	8.62	11.38

	Standard	Ronis	Profalux	Kirk	Castell
D	290	298	306	-	-
	11.42	11.73	12.05	-	-
E	287	291	299	298	328
	11.3	11.46	11.77	11.73	12.91



Overall dimensions

Circuit breaker with RC221/222 residual current release

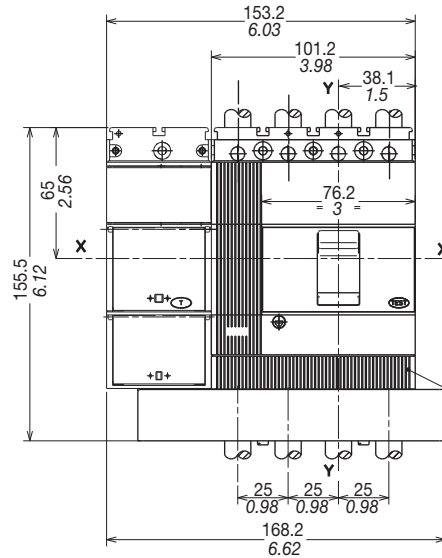
Tmax T1 with RC222 for 200 mm module

Fixed version

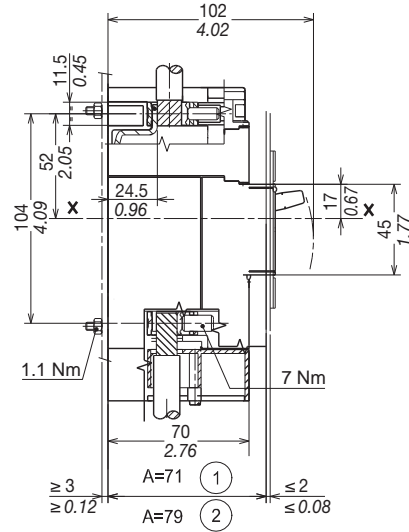
Caption

- ① Depth of the switchboard with circuit breaker face extending
- ② Depth of the switchboard with circuit breaker face flush with door
- ③ Terminal covers with degree of protection IP40

Front terminals - F



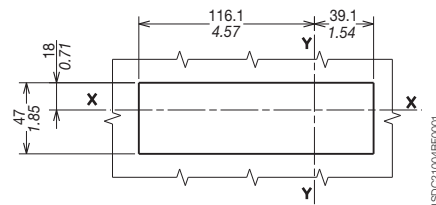
Fixing on sheet



1SDC21004BF0001

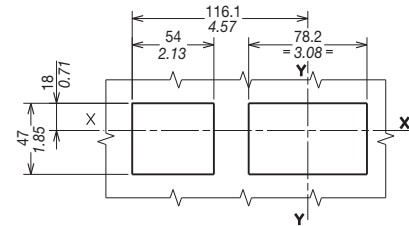
Drilling templates of the compartment door

For A = 71 - without flange



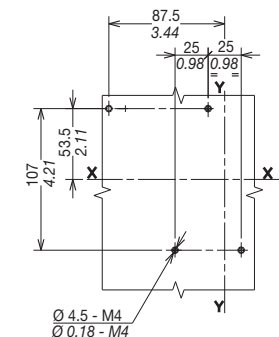
1SDC21004BF0001

For A = 79 - without flange



1SDC21004BF0001

Drilling templates for support sheet



1SDC21004BF0001

Overall dimensions

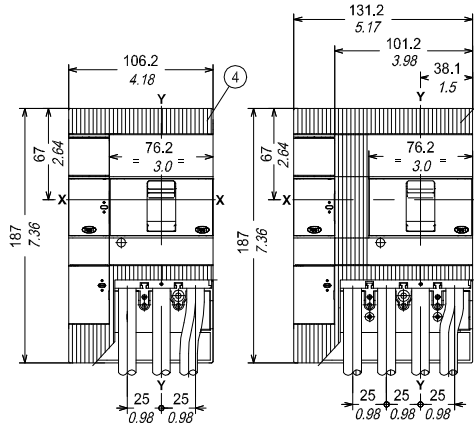
T1, T2 and T3 with residual current release - RC221/RC222

Fixed version

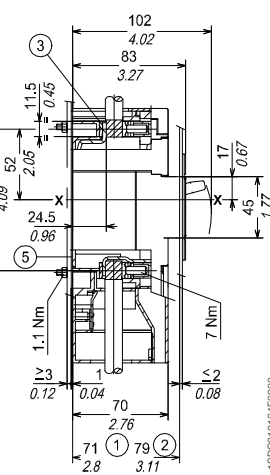
Caption

- ① Depth of the switchboard with circuit breaker face extending
- ② Depth of the switchboard with circuit breaker face flush with door
- ③ Front terminals for cable connection
- ④ Low terminal covers with degree of protection IP40
- ⑤ Insulating plate

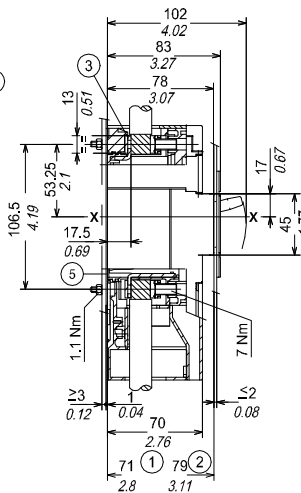
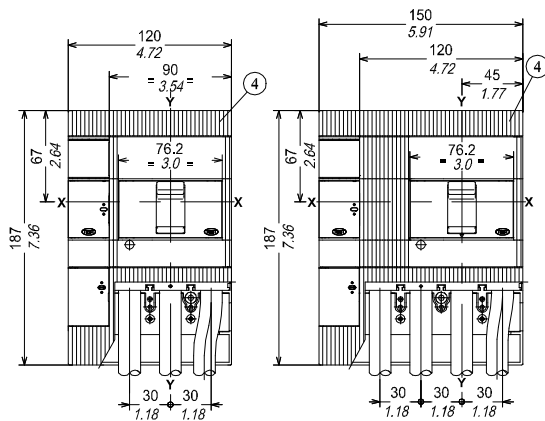
T1 Front - F



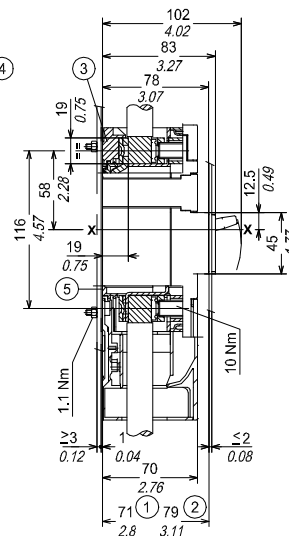
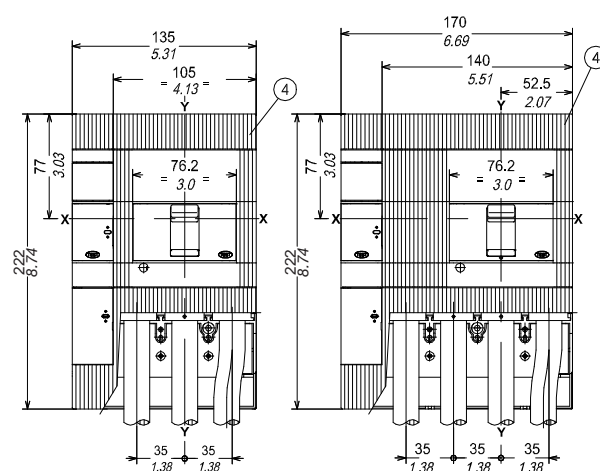
Fixing on sheet



T2



T3



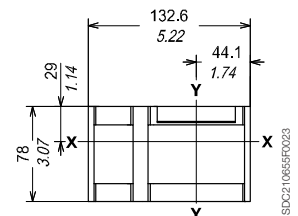
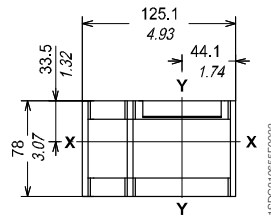
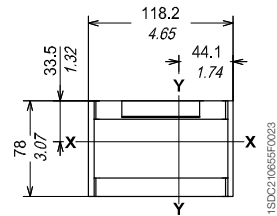
Flange for the compartment door

T1

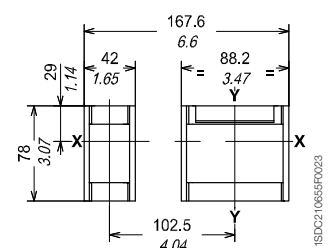
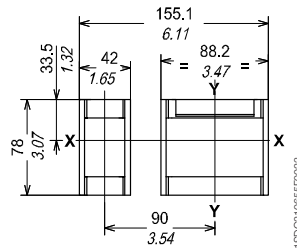
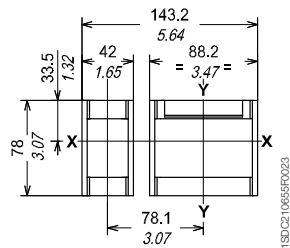
T2

T3

3 POLES



4 POLES

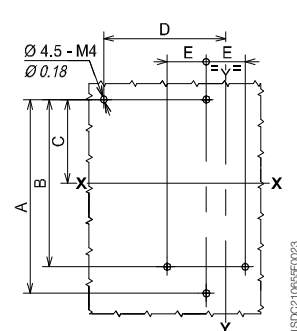
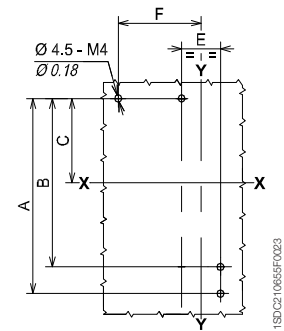


Drilling template for fixing sheet

T1 - T2 - T3

3 POLES

4 POLES



	A	B	C	D	E	F
T1	124	107	53.5	78.1	25	53.1
	4.88	4.21	2.11	3.07	0.98	2.09
T2	124	107	53.5	90	30	60
	4.88	4.21	2.11	3.54	1.18	2.36
T3	141.5	122	61	102.5	35	67.5
	5.57	4.80	2.40	4.04	1.38	2.66

Overall dimensions

T1, T2 and T3 with residual current release - RC221/RC222

Fixed version

Drilling templates of the compartment door

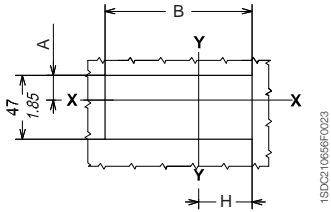
Without flange
face extending

Without flange
face not extending

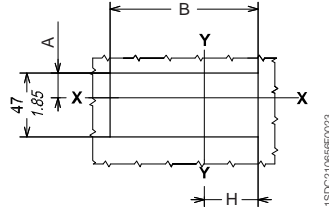
With flange
face not extending

3 POLES

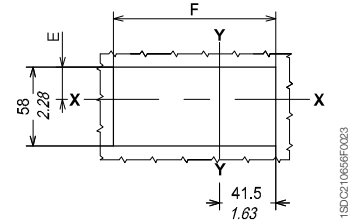
T1 - T2 - T3



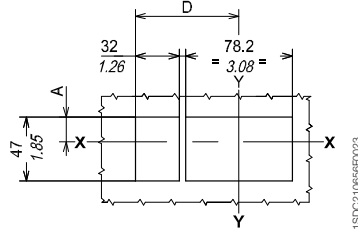
T1



T1 - T2 - T3

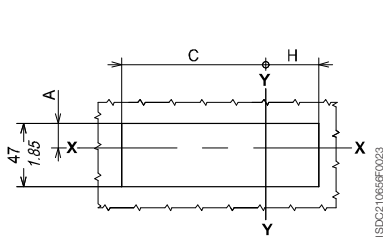


T2 - T3

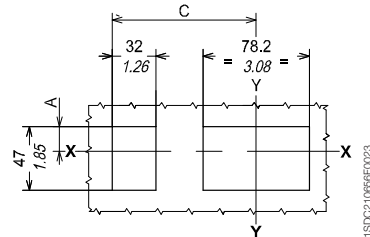


4 POLES

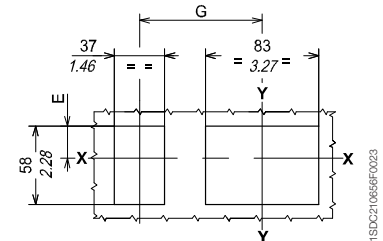
T1 - T2 - T3



T1 - T2 - T3



T1 - T2 - T3



	A	B	C	D	E	F	G	H
T1	18 0.71	108.2 4.26	94.1 3.70	- -	23.5 0.93	113 4.45	78.1 3.07	39.1 1.54
T2	18 0.71	122 4.80	106 4.17	76 2.99	23.5 0.93	120 4.72	90 3.54	46 1.81
T3	13.5 0.53	137 5.39	118.5 4.67	83.5 3.29	19 0.75	127.4 5.02	102.5 4.04	53.5 2.11

Overall dimensions

Circuit breaker with RC223 residual current release

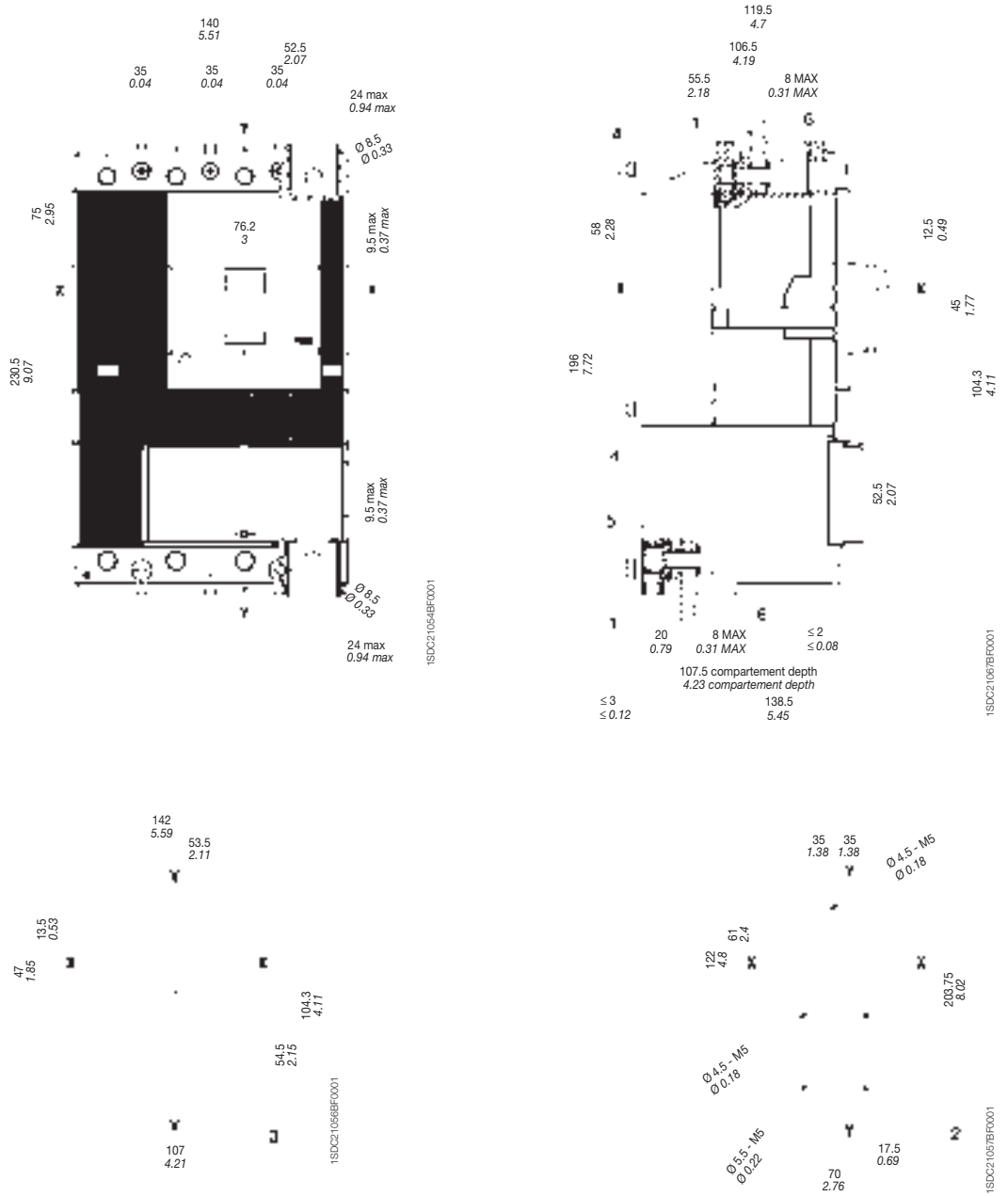
Tmax T3

Fixed version

Caption

Front terminals with residual current

- ① Front terminals for bars connection
- ② Fixing on sheet steel
- ③ Compartment door sheet steel drilling
- ④ Tightening torque 1.1 Nm
- ⑤ Tightening torque 2 Nm
- ⑥ Tightening torque 8 Nm



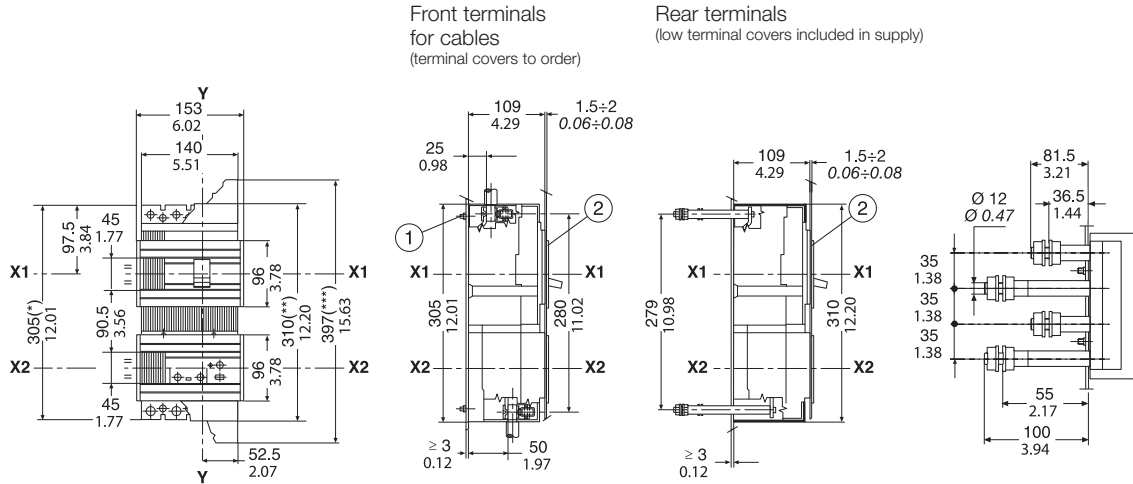
Overall dimensions

Circuit breaker with RC211/3 and RC 212/3 residual current release

Tmax Ts3

Vertical installation

Mounting on sheet metal

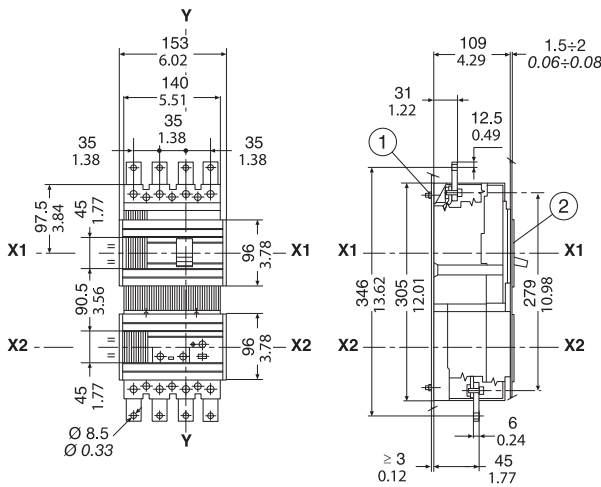


Caption

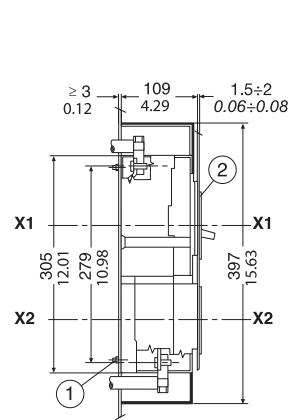
- ① Tightening torque 2 Nm
- ② Flange for compartment door

Note See the various different versions for the dimensions of the terminals

Version with extended front terminals

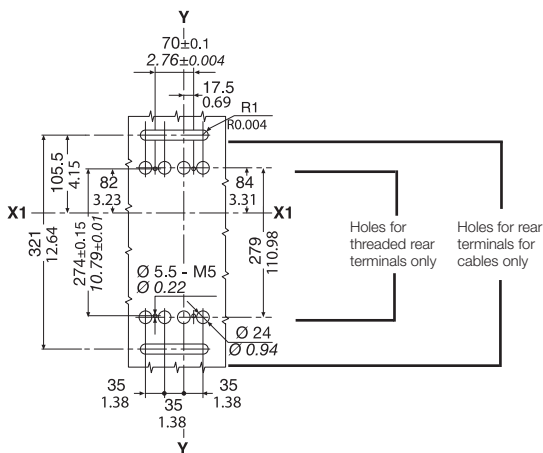


Terminals for rear Cu/Al cables (high terminal covers included in supply)



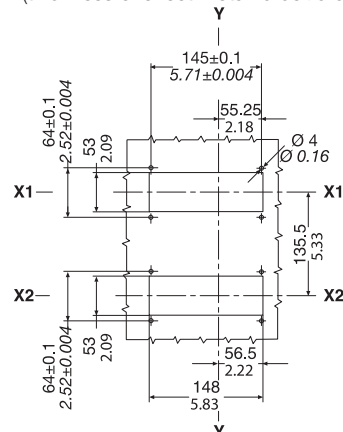
Template for drilling sheet metal support

(minimum thickness of sheet metal: 0.12"/3 mm)



Template for drilling compartment door and fitting flange

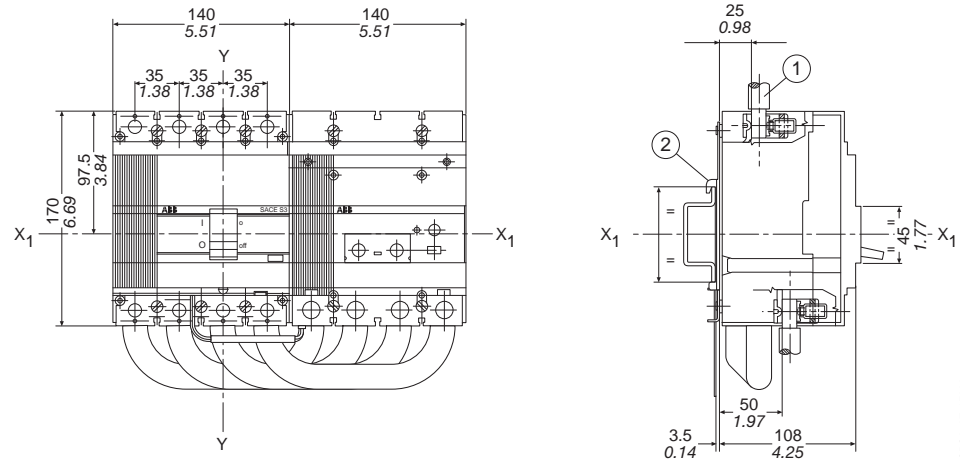
(thickness of sheet metal: 0.06±0.08"/1.5±2 mm)



Horizontal installation

Caption

- ① Front terminals for cables
- ② Bracket for mounting on DIN EN 50023 channel



1SDC210273F0001

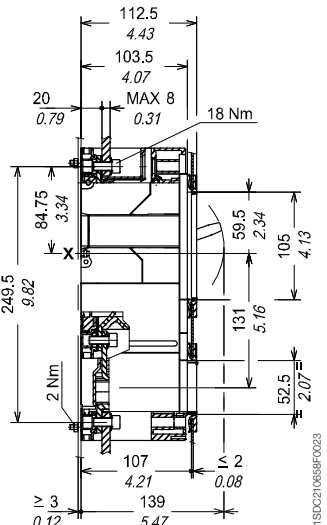
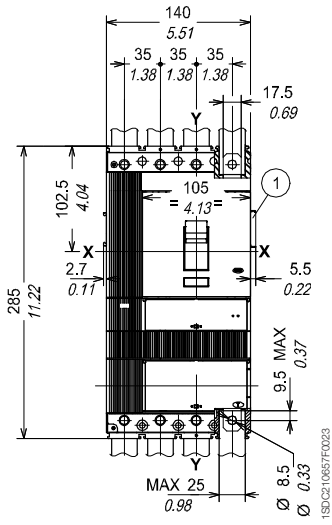
Overall dimensions

T4 and T5 with residual current release - RC221/RC222

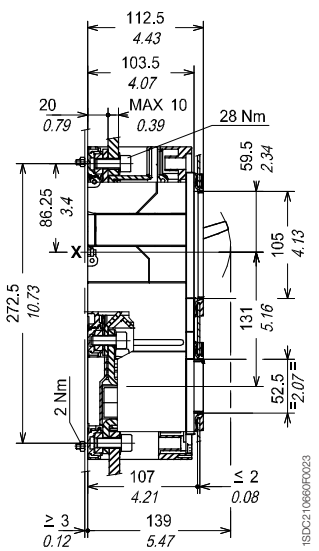
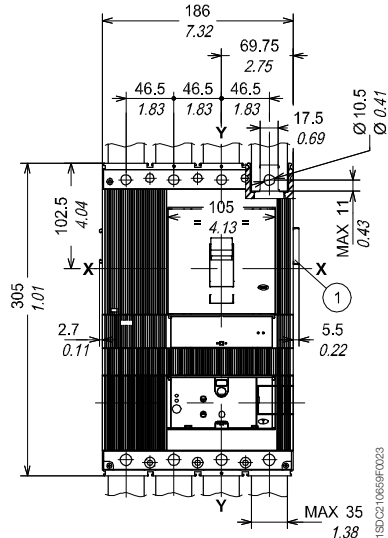
Fixed version

Front - F Fixing on sheet

T4



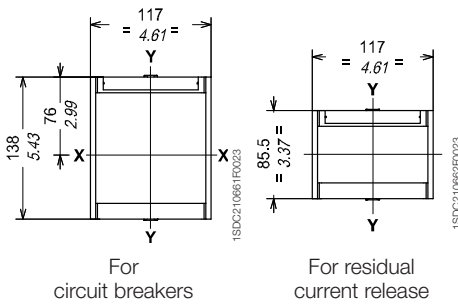
T5 (400 A)



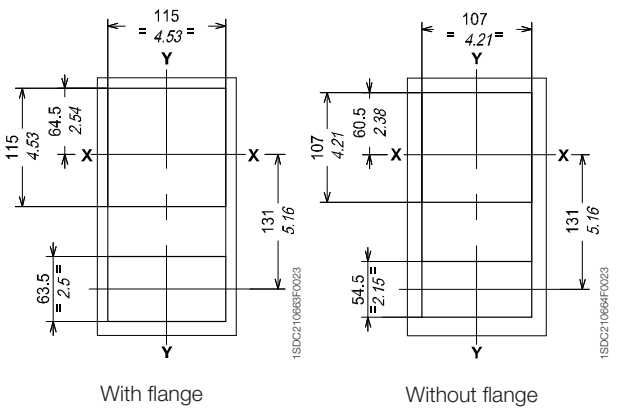
Caption

① Overall dimensions with cabled auxiliary contacts mounted (only 3Q 1SY)

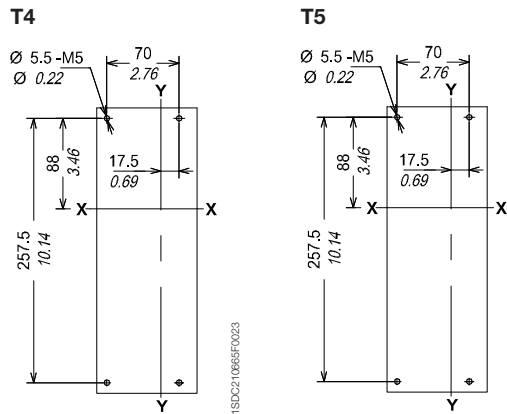
Flange for the compartment door



Drilling templates of compartment door and fitting flange



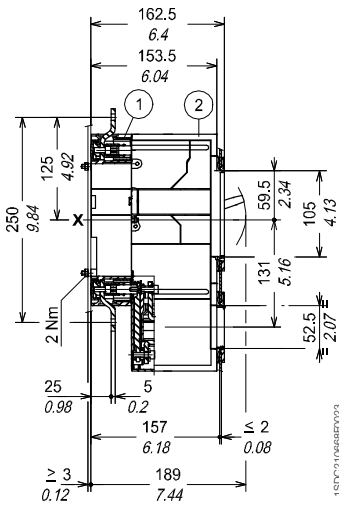
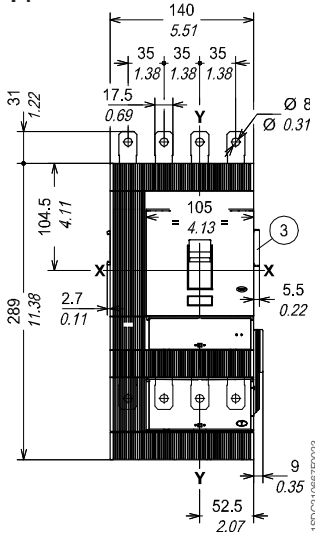
Drilling templates for support sheet



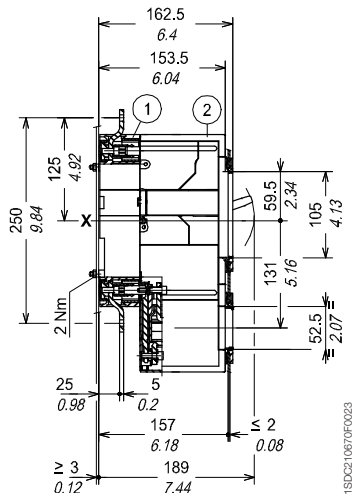
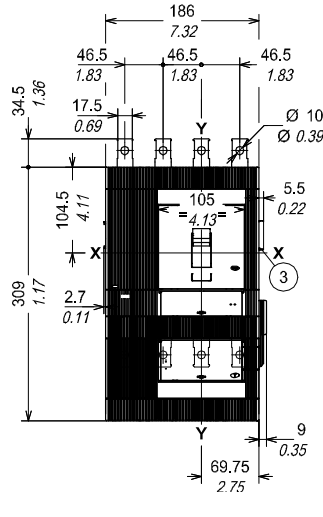
Plug-in version

Front - F Fixing on sheet

T4



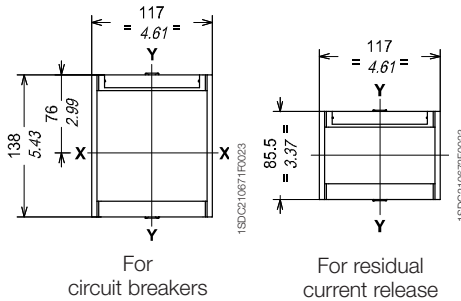
T5 (400 A)



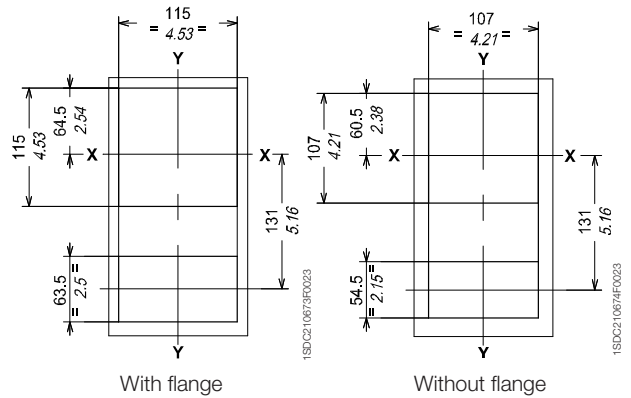
Caption

- ① Fixed part
- ② Mobile part
- ③ Overall dimensions with cabled auxiliary contacts mounted (only 3Q 1SY)

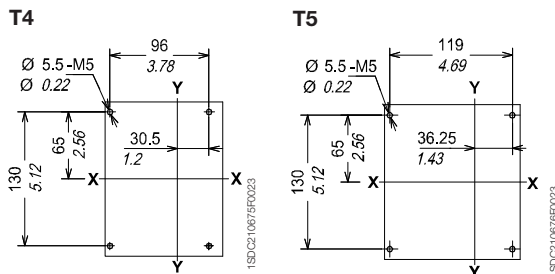
Flange for the compartment door



Drilling templates of compartment door and fitting flange



Drilling templates for support sheet

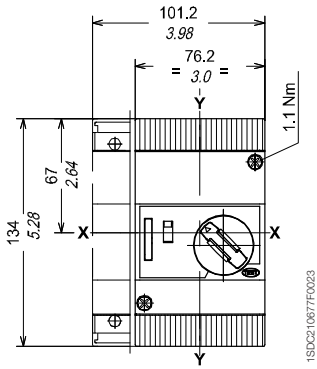


Overall dimensions

Accessories for Tmax T1 - T2 - T3

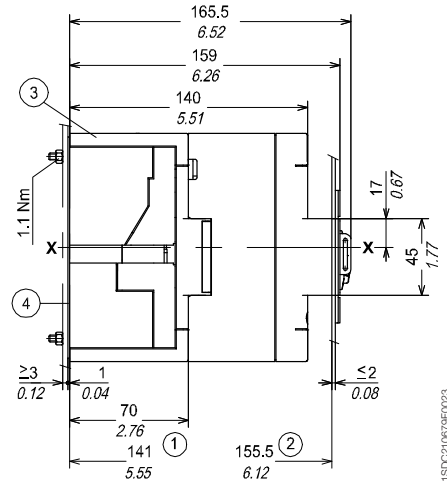
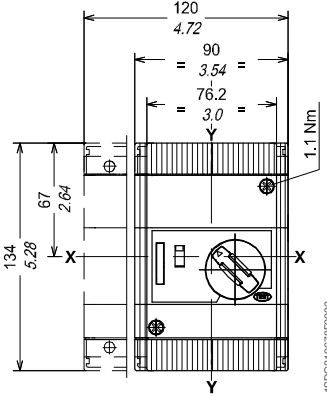
Fixed version

T1



Solenoid operator superimposed

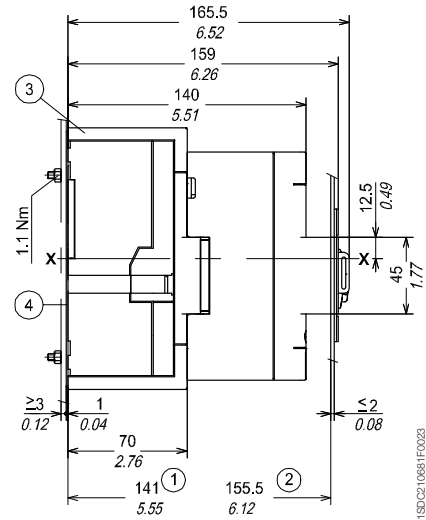
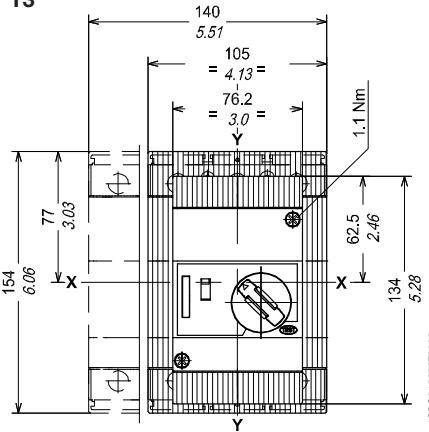
T2



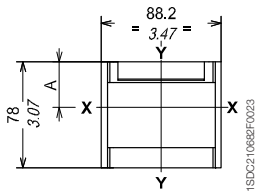
Caption

- ① Depth of the switchboard with operating mechanism face extending
- ② Depth of the switchboard with operating mechanism face flush with door
- ③ Low terminal covers with degree of protection IP40
- ④ Insulating plate

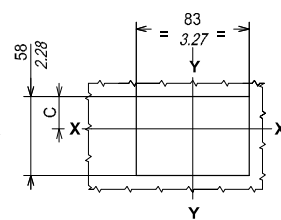
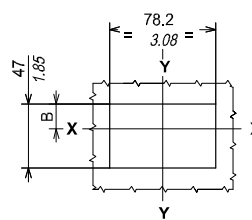
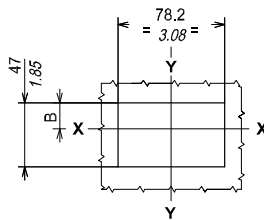
T3



Flange for compartment door



Drilling templates of the compartment door



Without flange
Operating mechanism
face extending

Without flange
Operating mechanism
face flush with door

With flange
Operating mechanism
face flush with door

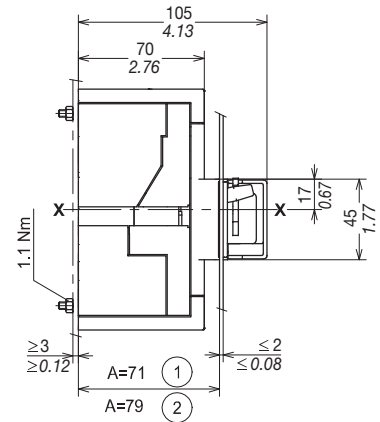
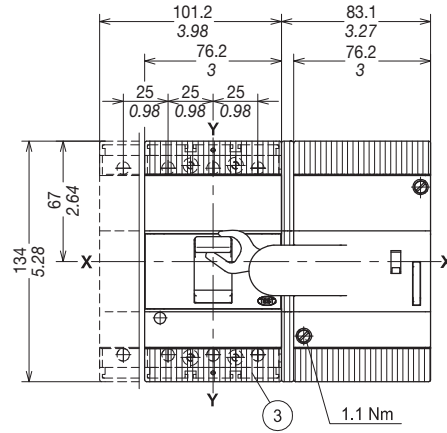
	A	B	C
T1	33.5	18	23.5
	1.32	0.71	0.93
T2	33.5	18	23.5
	1.32	0.71	0.93
T3	29	13.5	19
	1.14	0.53	0.75

Caption

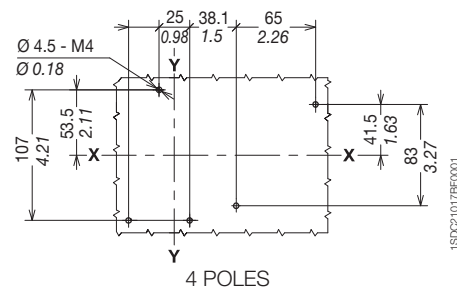
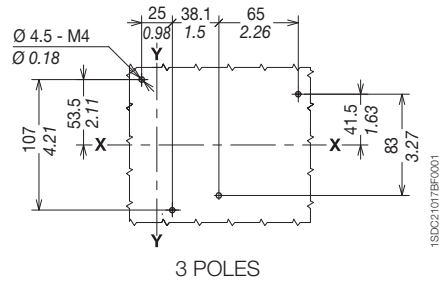
- ① Circuit breaker face extending
- ② Circuit breaker face flush with door
- ③ Low terminal covers with degree of protection IP40

Solenoid operator side by side

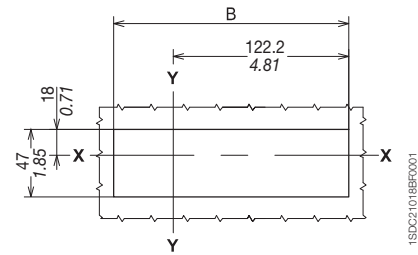
T1



Drilling templates for fixing sheet



Drilling templates of the compartment door



	A	B
3P	79	161.3
	3.11	6.35
	71	161.3
4P	2.79	6.35
	79	161.3
	3.11	6.35
	71	161.3
	2.79	6.35

Overall dimensions

Accessories for Tmax T1 - T2 - T3

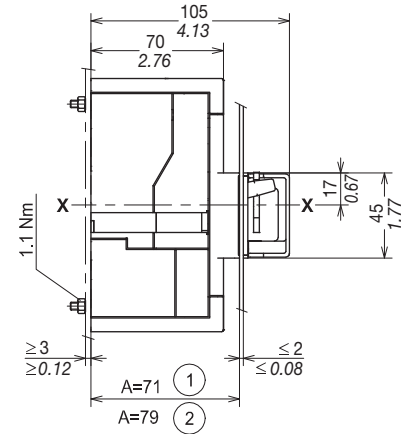
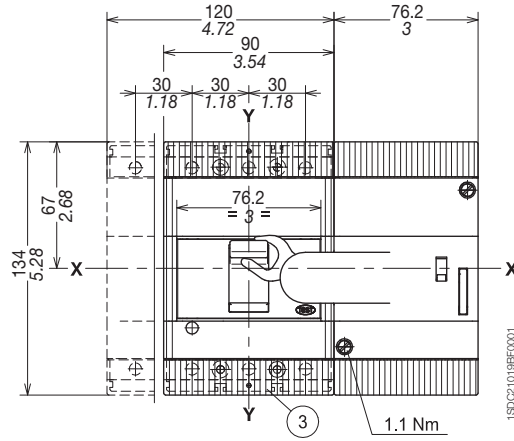
Fixed version

Solenoid operator side by side

Caption

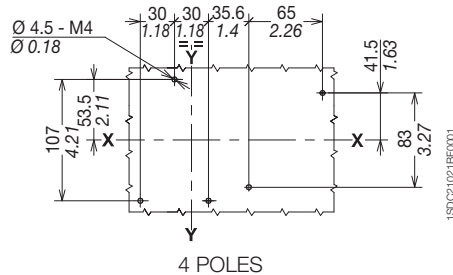
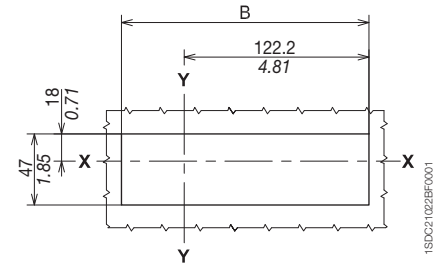
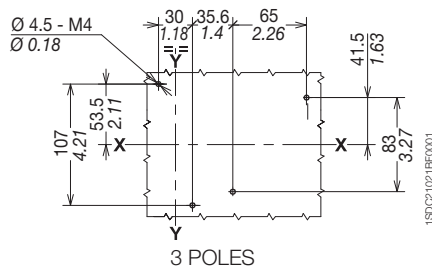
- ① Circuit breaker face extending
- ② Circuit breaker face flush with door
- ③ Low terminal covers with degree of protection IP40

T2



Drilling templates for fixing sheet

Drilling templates of the compartment door

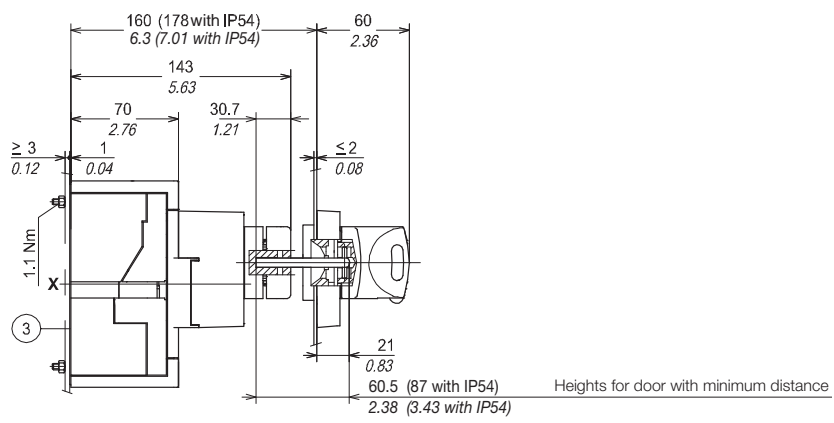
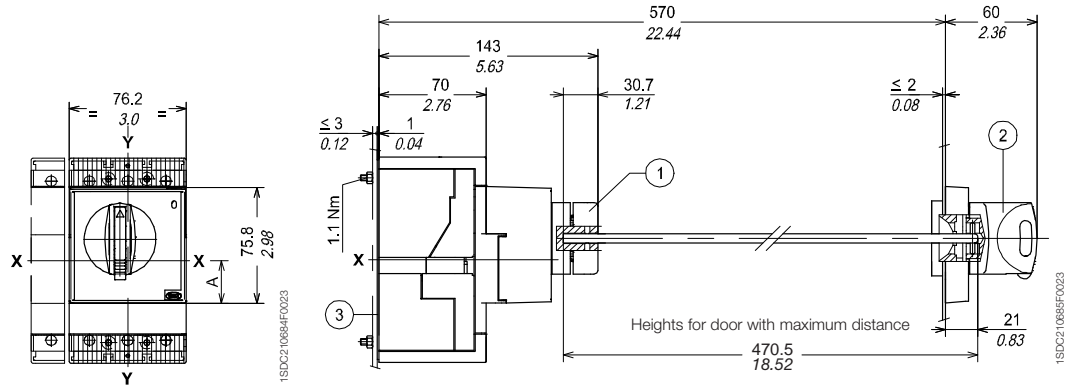


	A	B
3P	79	161.3
	3.11	6.35
	71	161.3
4P	2.79	6.35
	79	161.3
	3.11	6.35
	71	161.3
	2.79	6.35

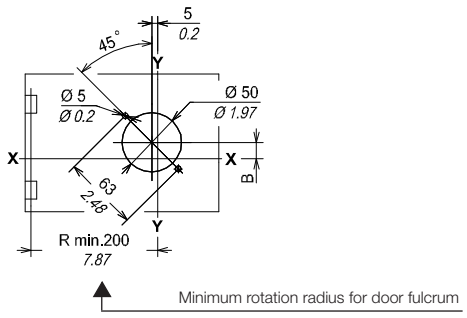
Caption

Rotary handle operating mechanism on the compartment door

- ① Transmission unit
- ② Rotary handle operating mechanism on the compartment door
- ③ Insulating plate



Drilling template of the compartment door



	A	B
T1-T2	28 1.10	14 0.55
T3	32.5 1.28	9.5 0.37

Overall dimensions

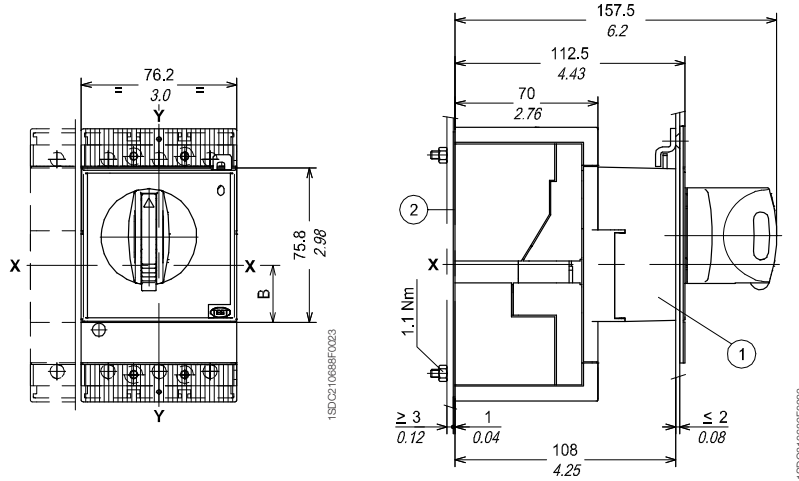
Accessories for Tmax T1 - T2 - T3

Fixed version

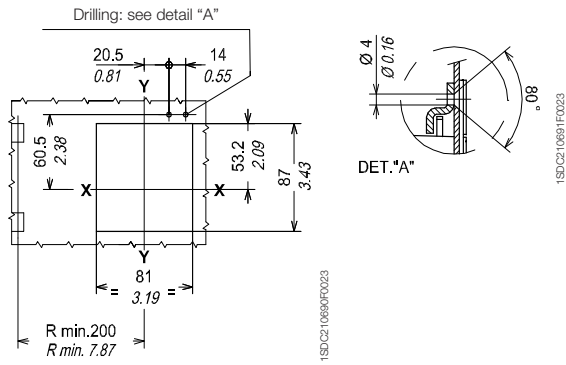
Rotary handle operating mechanism on circuit breaker

Caption

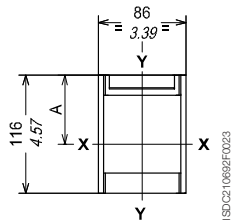
- ① Rotary handle operating mechanism on circuit breaker
- ② Insulating plate



Drilling template of the compartment door



Flange for the compartment



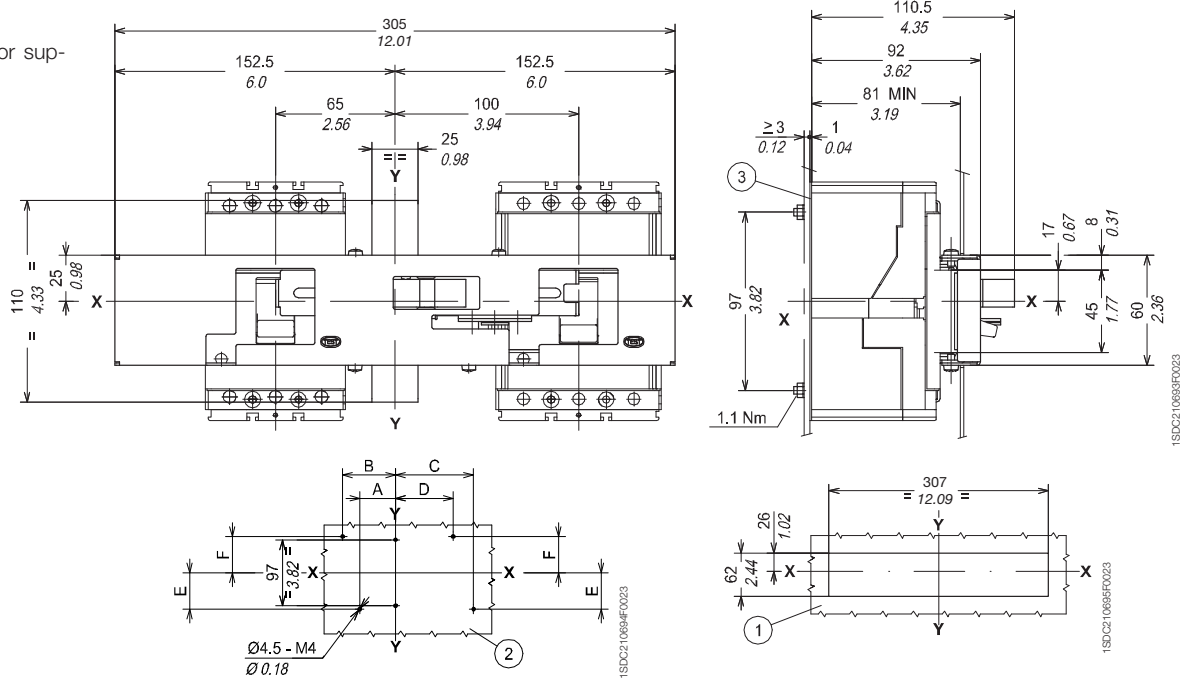
	A	B	C	D
T1-T2	67.7	28	53.2	60.5
	2.67	1.10	2.09	2.38
T3	63.2	32.5	48.7	56
	2.49	1.28	1.92	2.20

Caption

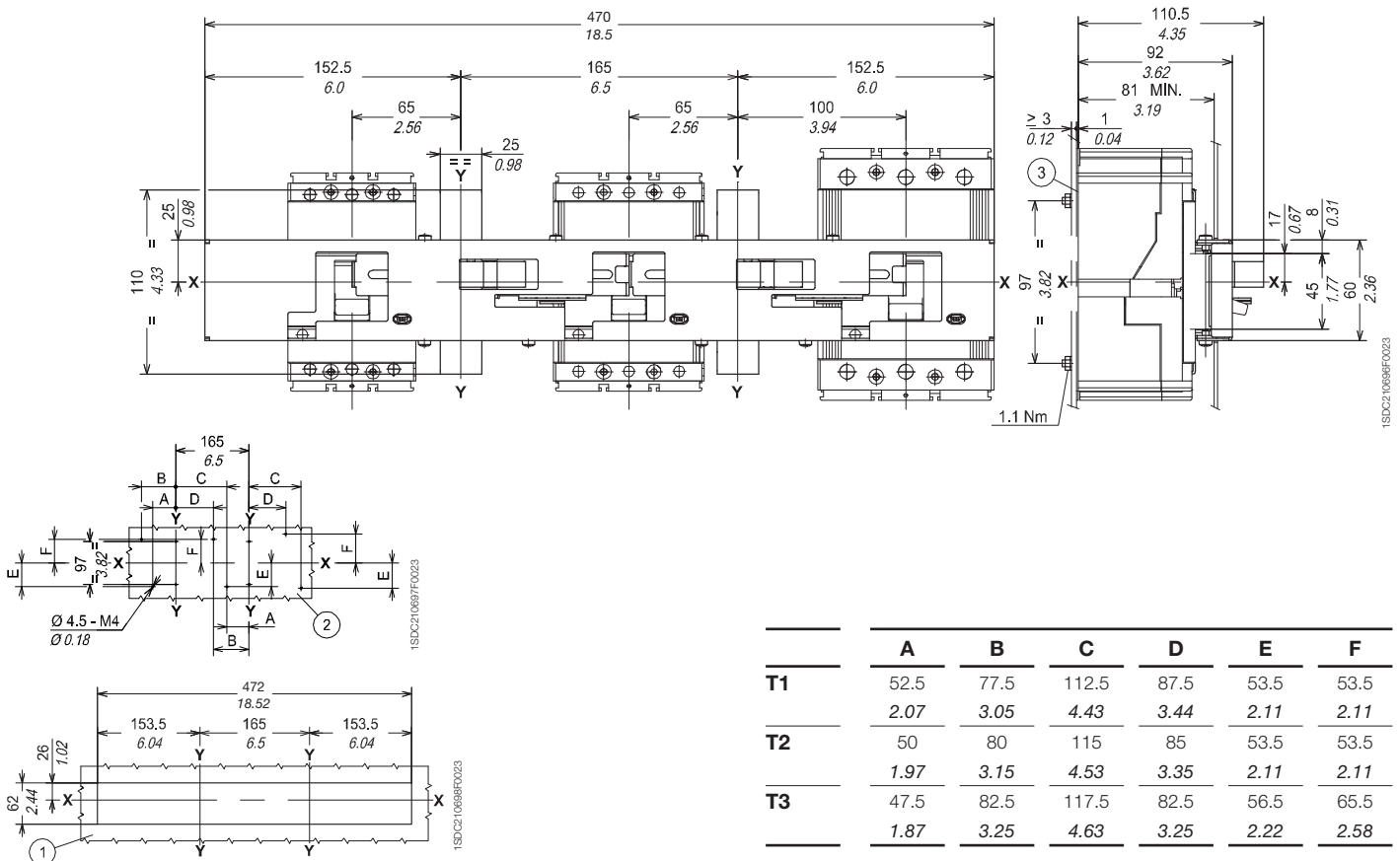
Mechanical interlock between circuit breakers

- ① Drilling templates of the compartment door
- ② Drilling templates for support sheet
- ③ Insulating plate

Front interlocking plate between two circuit breakers



Front interlocking plate among three circuit breakers



	A	B	C	D	E	F
T1	52.5	77.5	112.5	87.5	53.5	53.5
	2.07	3.05	4.43	3.44	2.11	2.11
T2	50	80	115	85	53.5	53.5
	1.97	3.15	4.53	3.35	2.11	2.11
T3	47.5	82.5	117.5	82.5	56.5	65.5
	1.87	3.25	4.63	3.25	2.22	2.58

Overall dimensions

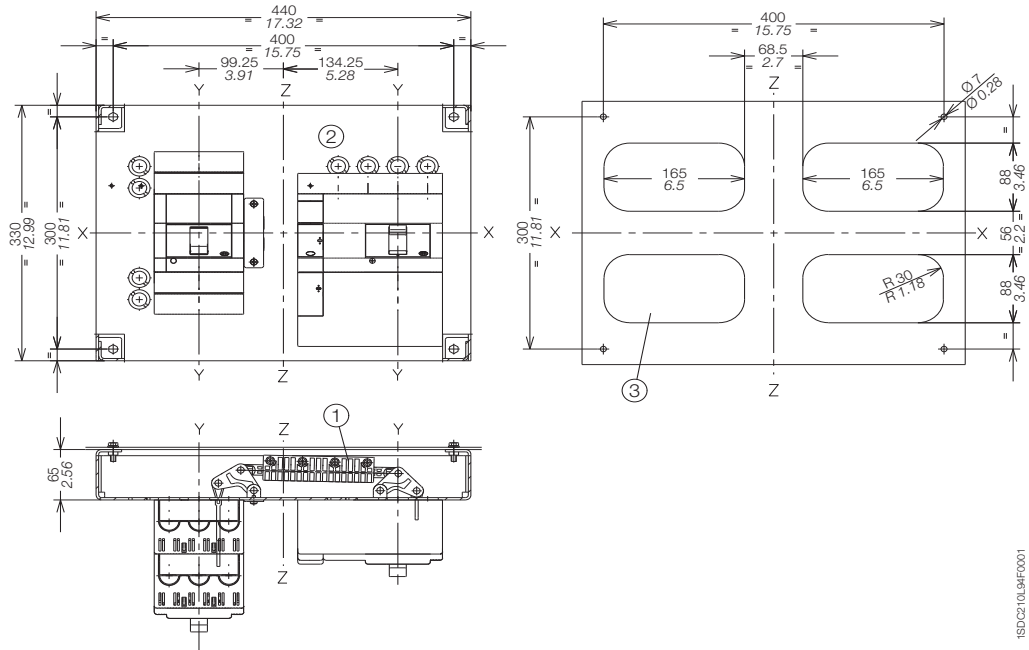
Accessories for Tmax T1 - T2 - T3

Fixed version

Mechanical rear horizontal interlock between two T3 circuit breakers

Caption

- ① Interlocking mechanism
- ② Circuit breakers coupling plate
- ③ Drilling template for all terminal versions

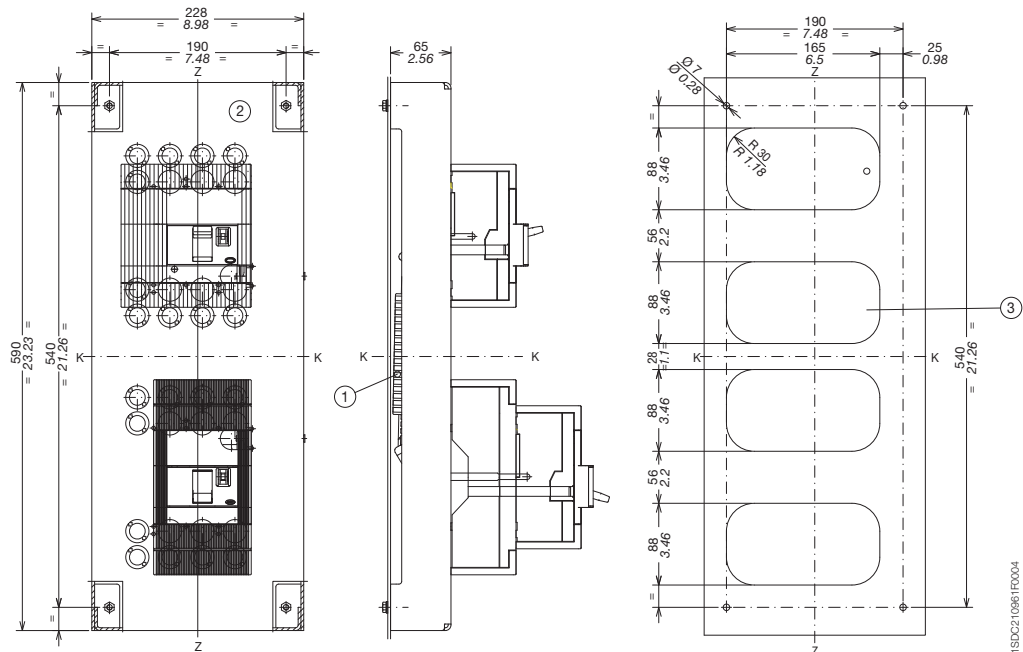


1SDC210L9AF0001

Caption

- ① Interlocking mechanism
- ② Circuit breakers coupling plate
- ③ Drilling template for all terminal versions

Mechanical rear vertical interlock between two T3 circuit breakers



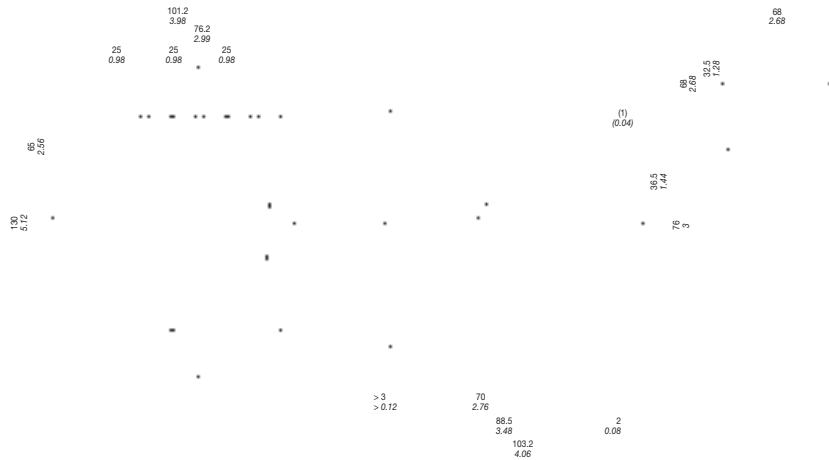
1SDC210861R0004

The mechanical rear vertical interlock for Tmax T3 is not compatible with the RC221 and RC222 residual current releases

Caption

Protection kit IP 42 for T1 fixed

- ① IP 42 protection
- ② Compartment door sheet steel drilling

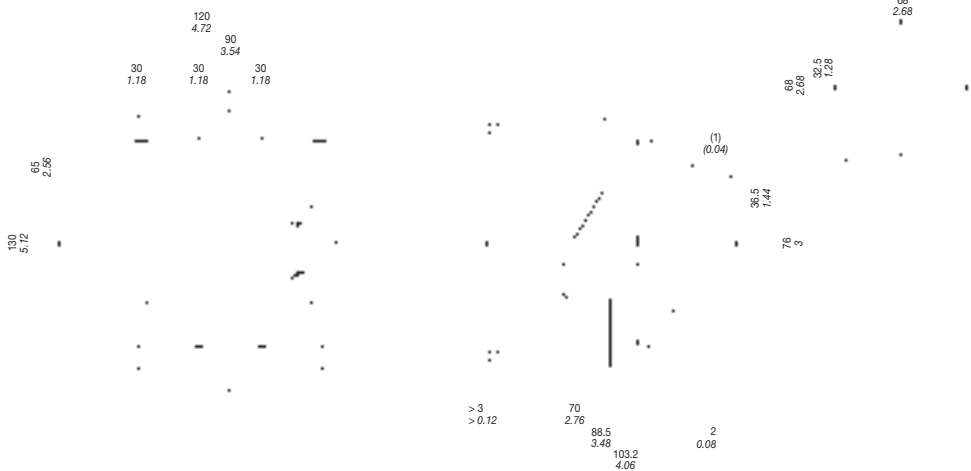


1SDC21068BF0001

Caption

Protection kit IP 42 for T2 fixed

- ① IP 42 protection
- ② Compartment door sheet steel drilling

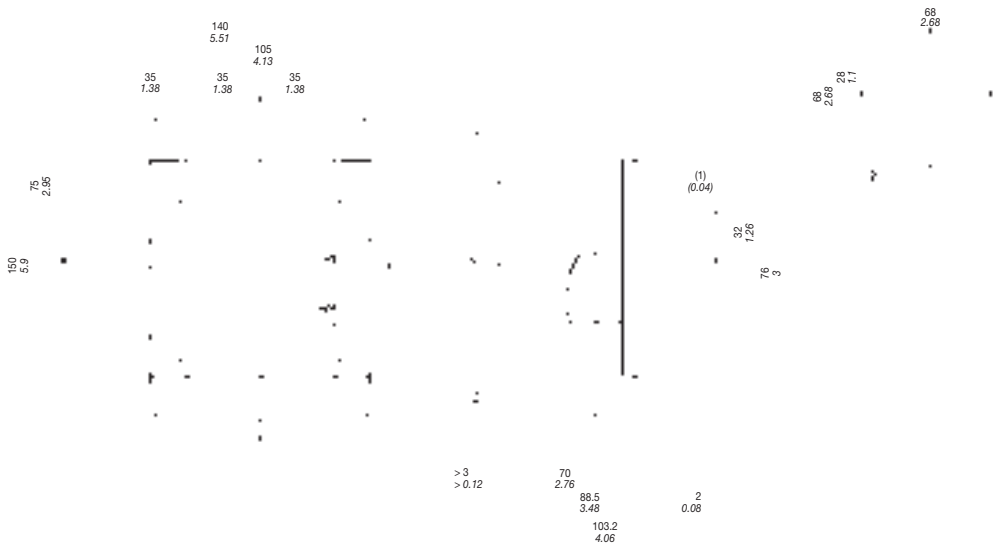


1SDC21070BF0001

Caption

Protection kit IP 42 for T3 fixed

- ① IP 42 protection
- ② Compartment door sheet steel drilling



1SDC21071BF0001

Overall dimensions

Accessories for Tmax Ts3

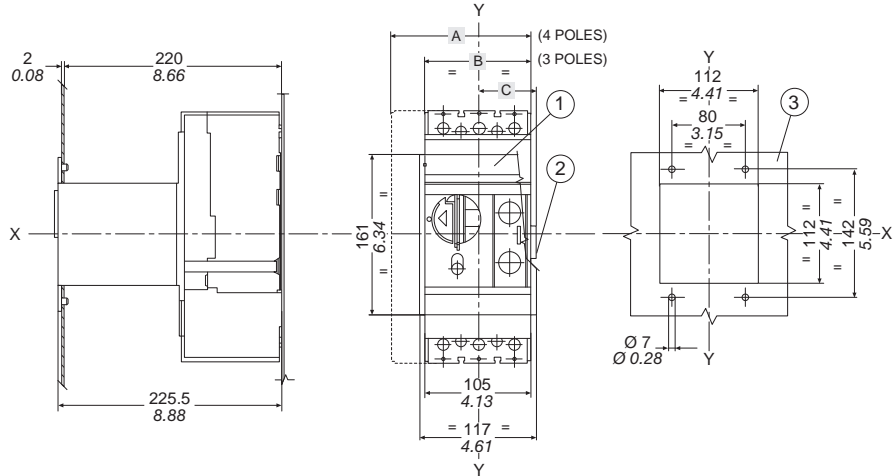
Caption

- ① Flange for compartment door
- ② Dimensions with connectors
- ③ Drilling of compartment door

Note See the various different versions for the circuit breaker mounting holes

	A	B	C
Ts3	140	105	58
	5.51	4.13	2.28

Motor operator for fixed circuit breaker



1SDC210277F0001

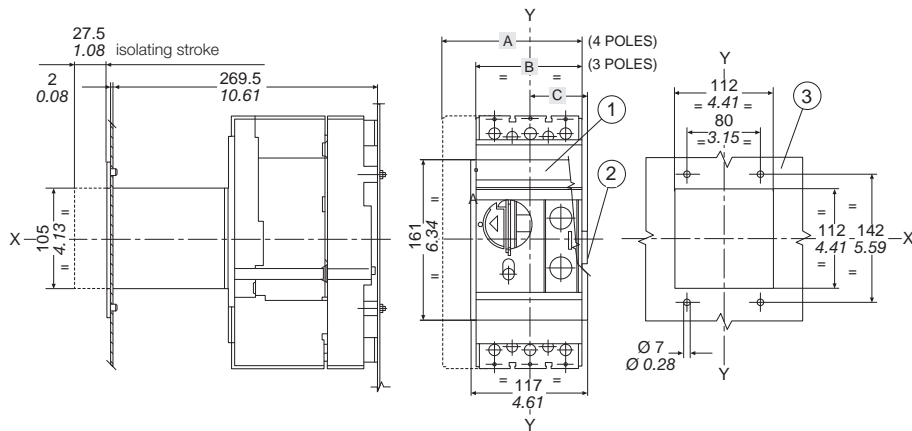
Caption

- ① Flange for compartment door
- ② Dimensions with connectors
- ③ Drilling of compartment door

Note See the various different versions for the circuit breaker mounting holes

	A	B	C
Ts3	140	105	58
	5.51	4.13	2.28

Motor operator for plug in circuit breakers



1SDC210278F0001

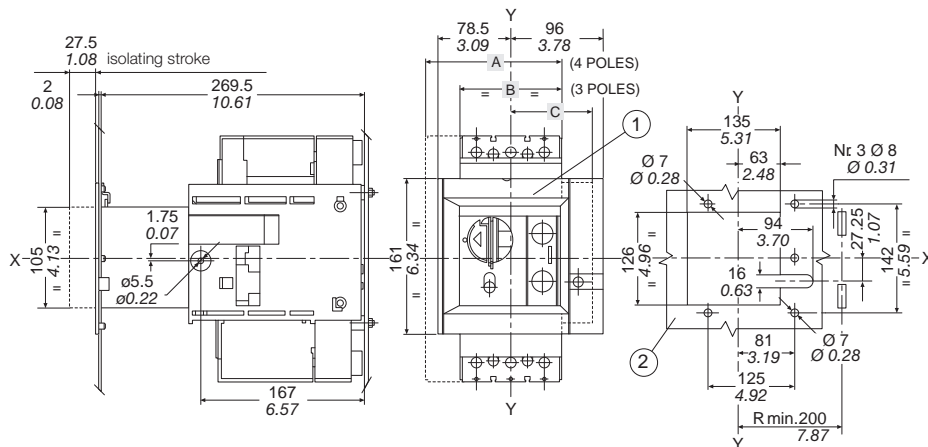
Caption

- ① Flange for compartment door
- ② Drilling of compartment door

Note See the various different versions for the circuit breaker mounting holes

	A	B	C
Ts3	140	105	58
	5.51	4.13	2.28

Motor operator for draw out circuit breaker



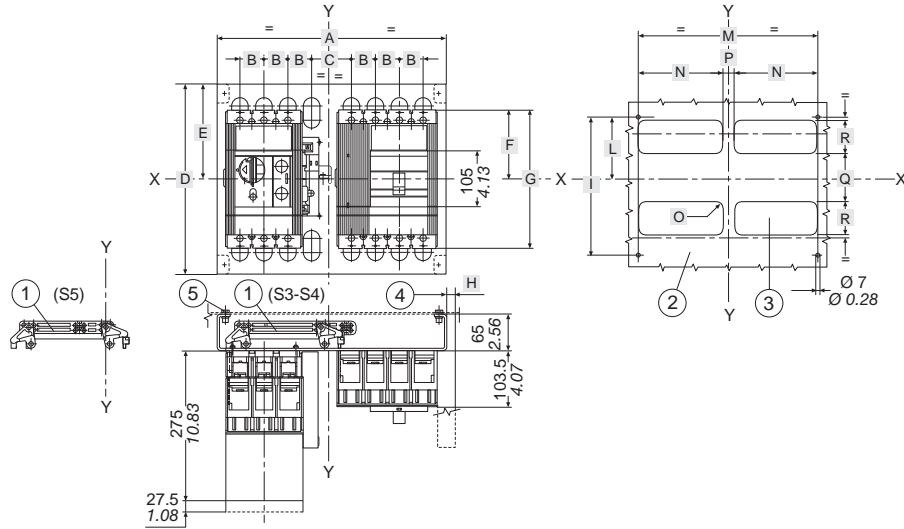
1SDC210279F0001

Caption

Interlock across two horizontally-installed circuit breakers

- ① Interlock device
- ② Template for drilling mounting holes in sheet metal
- ③ Drilling template for all versions with rear terminals
- ④ Dimensions with four-pole draw out version mounted on right
- ⑤ Tightening torque 3.7 Nm

Note See the various different versions for the dimensions of the circuit breakers



	A	B	C	D	E	F	G	H	I	L	M	N	O	P	Q	R
Ts3	350	35	66	265	134.5	87.2	170	12	227.5	116	324	155	R15	16	68	75
	13.78	1.38	2.60	10.43	5.30	3.43	6.69	0.47	8.96	4.57	12.76	6.10	R0.59	0.63	2.68	2.95

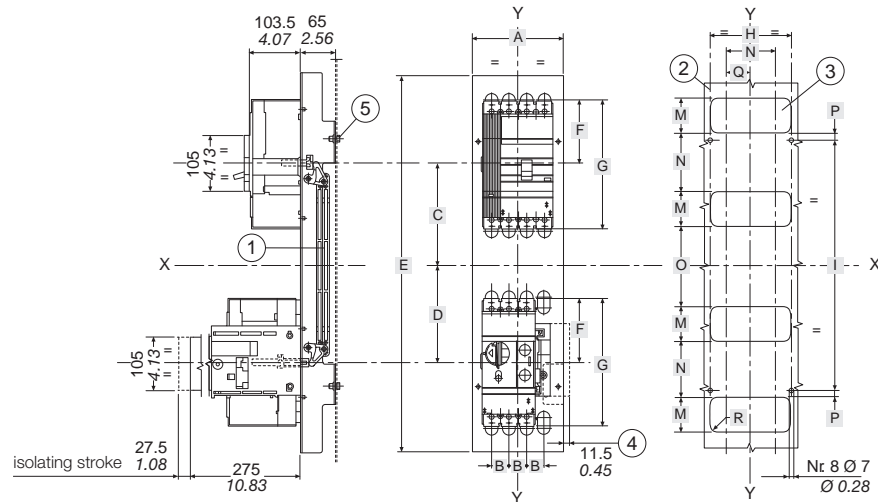
1SDC210260F0001

Caption

Interlock across two vertically-installed circuit breakers

- ① Interlock device
- ② Drilling template for mounting circuit breakers on sheet metal
- ③ Drilling template for all versions with rear terminals
- ④ Dimensions with four-pole draw out version
- ⑤ Tightening torque 3.7 Nm

Note See the various different versions for the dimensions of the circuit breakers



	A	B	C	D	E	F	G	H	I	L	M	N	O	P	Q	R
Ts3	180	35	152.5	157.5	578	87.5	170	157.5	350	155	75	68	92	14	77.5	R15
	7.09	1.38	6.00	6.20	22.76	3.44	6.69	6.20	13.78	6.10	2.95	2.68	3.62	0.55	3.05	R0.59

1SDC210261F0001

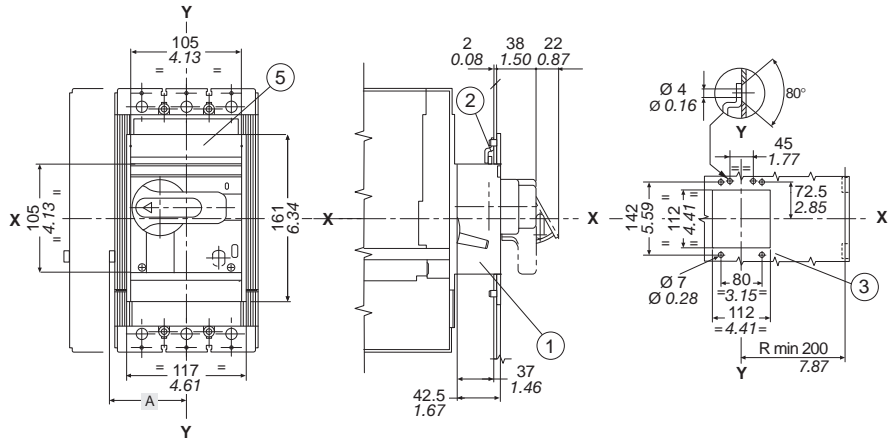
Overall dimensions

Accessories for Tmax Ts3

Caption

Rotary handle operating mechanism on fixed or plug in circuit breaker

- ① Rotary handle operating mechanism
- ② Lock for compartment door (to order)
- ③ Drilling of compartment door
- ④ Dimensions for connector for early contact for under-voltage release
- ⑤ Flange for compartment door



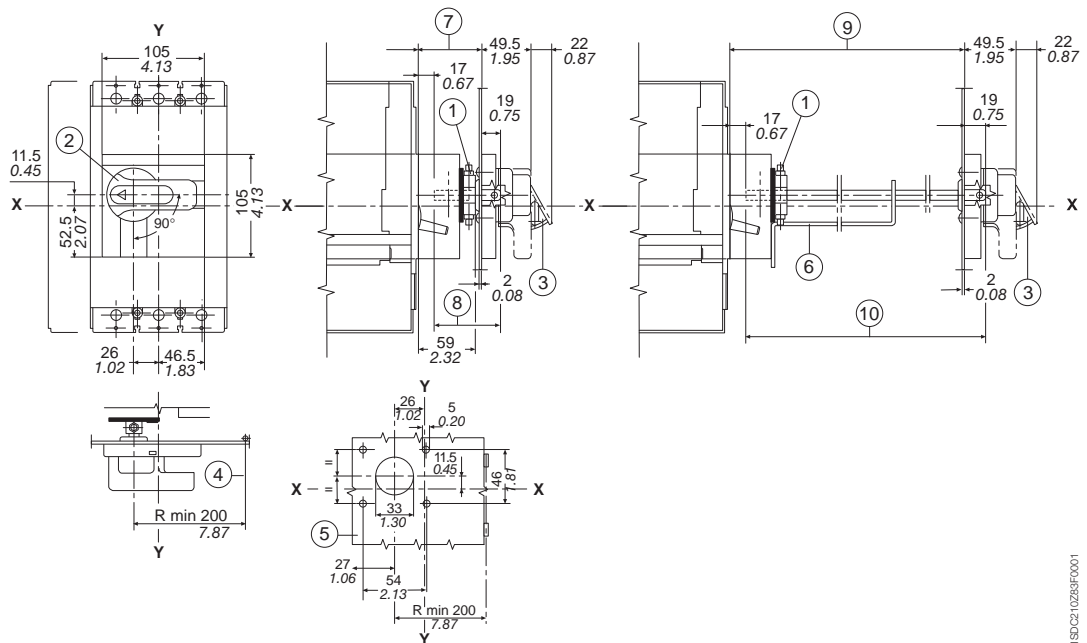
Note: See the various different versions for the dimensions of the circuit breakers

	A
Ts3	35 1.38

Caption

Compartment door-mounted rotary handle operating mechanism with adjustable depth for fixed or plug in circuit breaker

- ① Transmission assembly
- ② Rotary handle assembly with door lock device
- ③ Padlock device for open position (maximum 3 padlocks with max $\varnothing 0.24"/6$ mm to be provided by customer)
- ④ Minimum radius of rotation for fulcrum of door
- ⑤ Drilling of door
- ⑥ Support for depths of up to 19.69"/500 mm
- ⑦ 2.60"...11.81"/66...300 mm (with IP54 protection min. 90)
- ⑧ Distance ⑦ + 0.08"/2 mm (shaft length)
- ⑨ 11.85"...19.69"/301...500 mm (with IP54 protection min. 325)
- ⑩ Distance ⑨ + 0.08"/2 mm (shaft length)



Note: See the various different versions for the dimensions of the circuit breakers

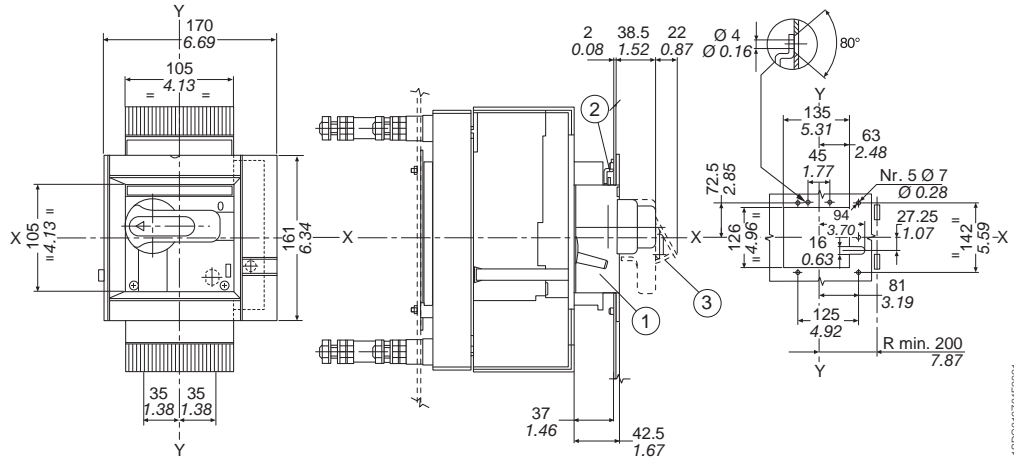
	A
Ts3	35 1.38

Caption

Rotary handle operating mechanism on draw out circuit breaker

- ① Rotary handle operating mechanism
- ② Lock for compartment door (to order)
- ③ Padlock device for open position (maximum 3 padlocks max. \varnothing 0.24"/6 mm to be provided by user)

Note: See the various different versions for the dimensions of the circuit breakers



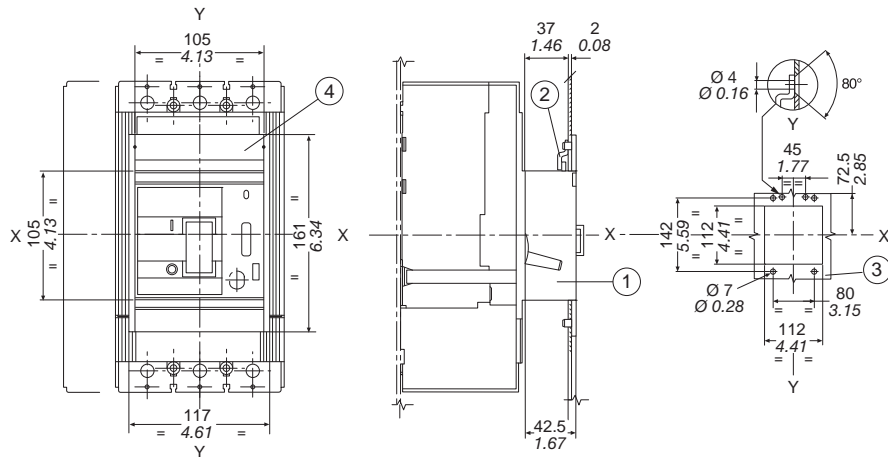
1SD0210264F0001

Caption

Front flange for operating lever mechanism

- ① Front flange for lever operating mechanism
- ② Lock for compartment door (to order)
- ③ Drilling of compartment door
- ④ Flange for compartment door
- ⑤ Tightening torque 3.7 Nm

Note: See the various different versions for the dimensions of the circuit breakers



1SD0210265F0001

Overall dimensions

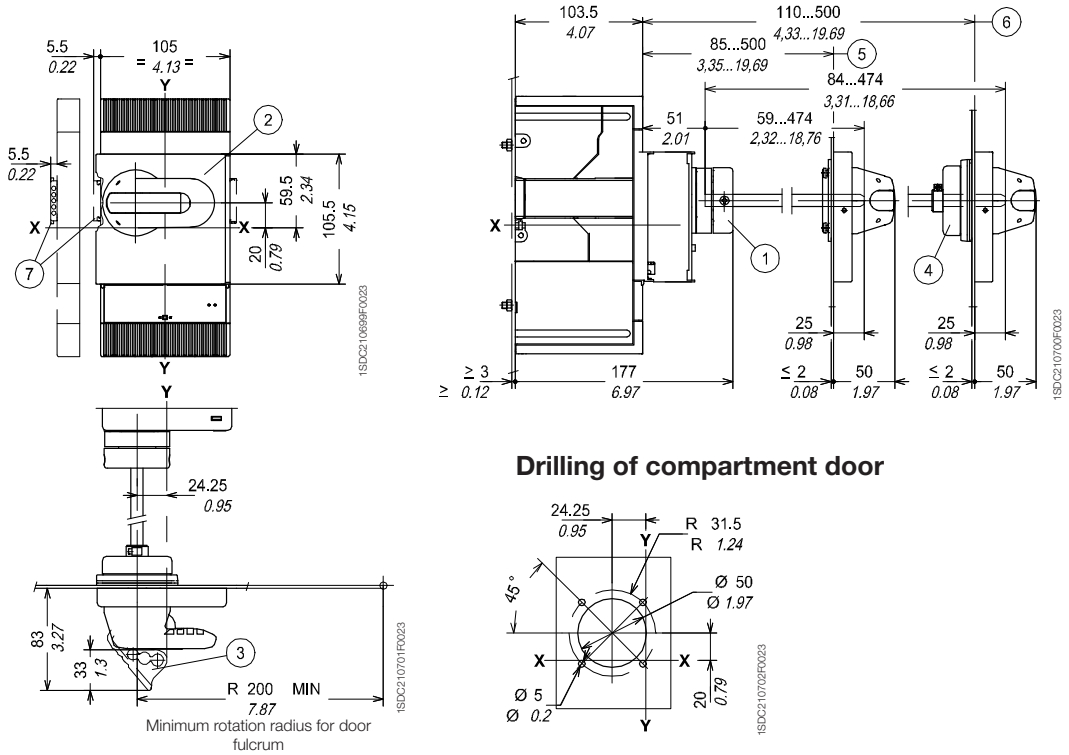
Accessories for Tmax T4 - T5

Fixed version

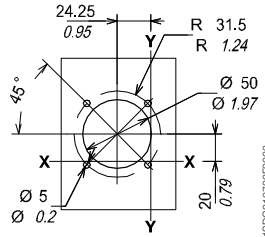
Caption

- ① Transmission unit
- ② Rotary handle assembly with door lock device
- ③ Padlock device for open position (maximum 3 padlocks to be provided by the user)
- ④ IP54 protection (supplied on request)
- ⑤ Min...max distance from the front of the door without accessory ④
- ⑥ Min...max distance from the front of the door with accessory ④
- ⑦ Dimension with AUE connector (early making contact)

Rotary handle operating mechanism on the compartment door



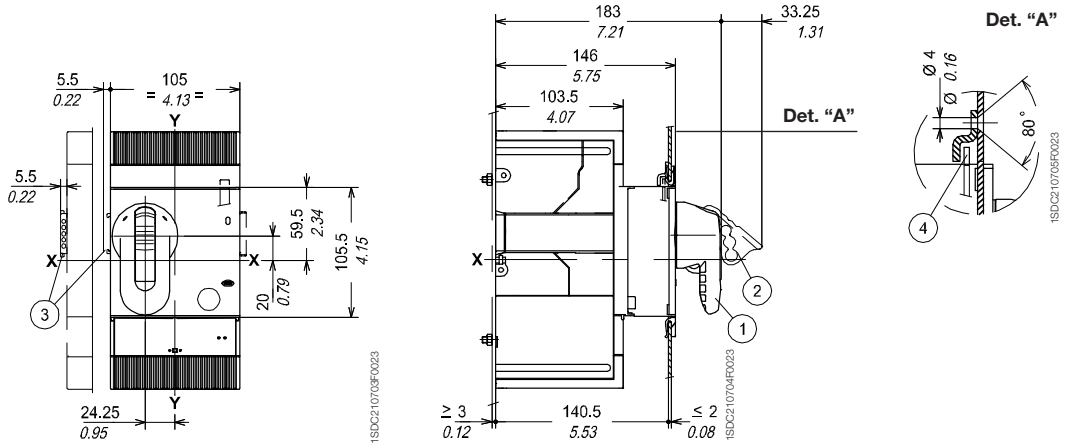
Drilling of compartment door



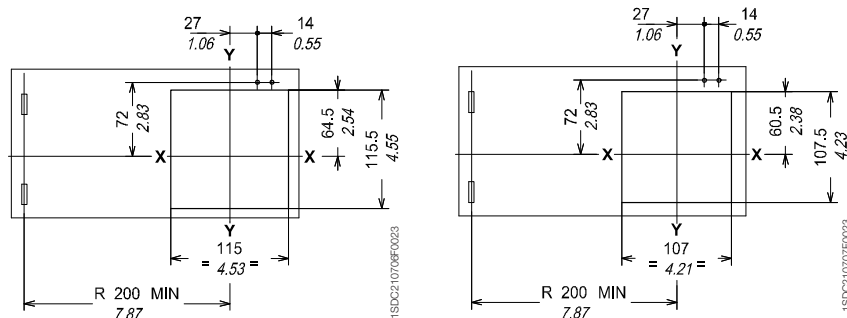
Caption

- ① Rotary handle operating mechanism on circuit breaker
- ② Padlock device for open position (maximum 3 padlocks to be provided by the user)
- ③ Dimension with AUE connector (early making contact)
- ④ Compartment door lock

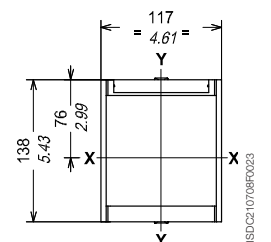
Rotary handle operating mechanism on circuit breaker



Drilling template of the compartment door



Flange for the compartment door

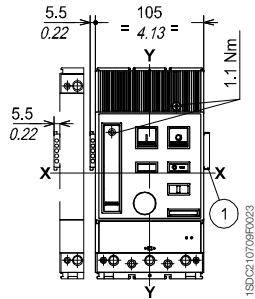


Caption

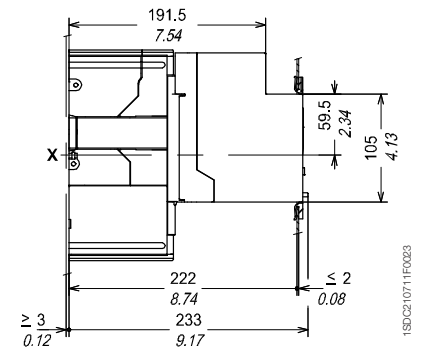
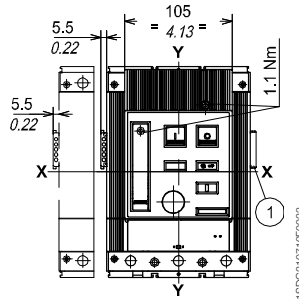
- ① Overall dimensions with cabled auxiliary contacts mounted (only 3Q 1SY)

Motor operator

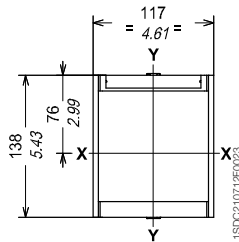
T4



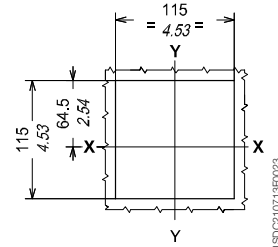
T5



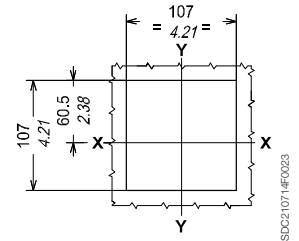
Flange for the compartment door (supplied as standard)



Drilling template of the compartment door



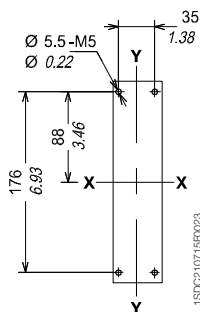
With flange



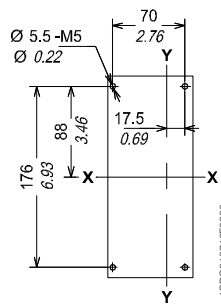
Without flange

Drilling template for support sheet

T4

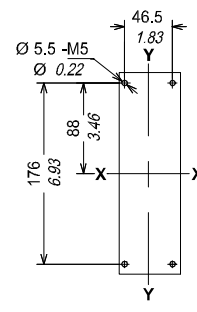


3 POLES

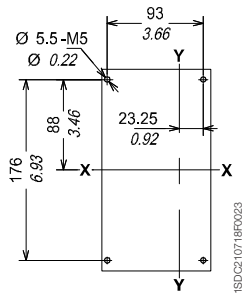


4 POLES

T5



3 POLES



4 POLES

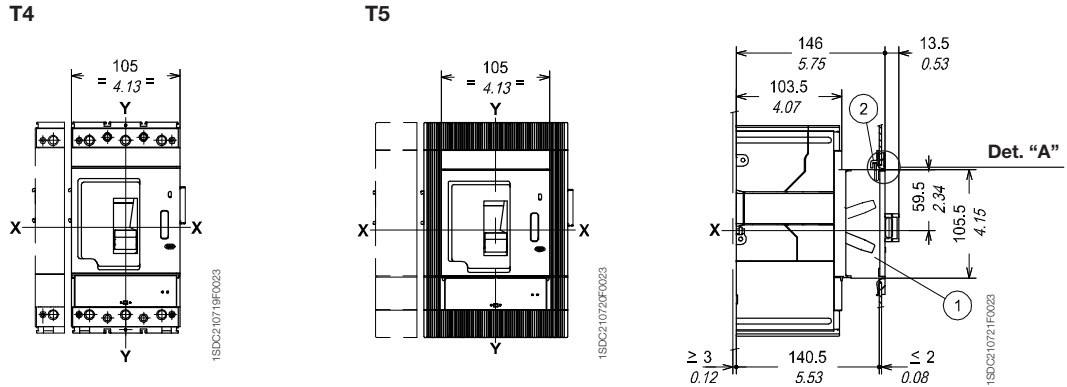
Overall dimensions

Accessories for Tmax T4 - T5

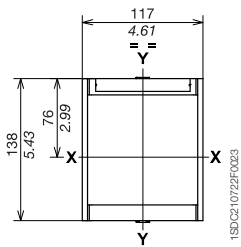
Caption

- ① Front for lever operating mechanism
- ② Lock for the compartment door (supplied on request)

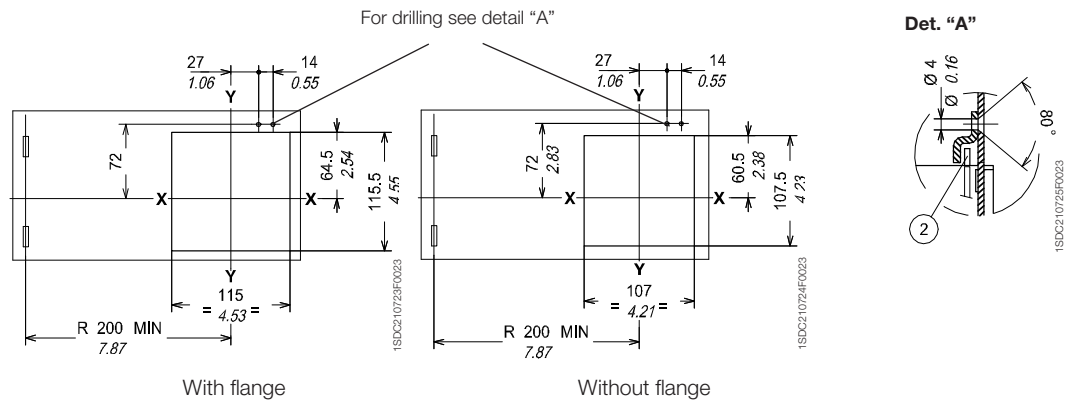
Front for lever operating mechanism



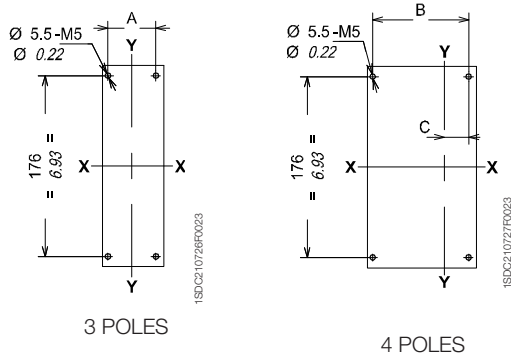
Flange for the compartment door (supplied as standard)



Drilling template for the compartment door



Drilling template for support sheet



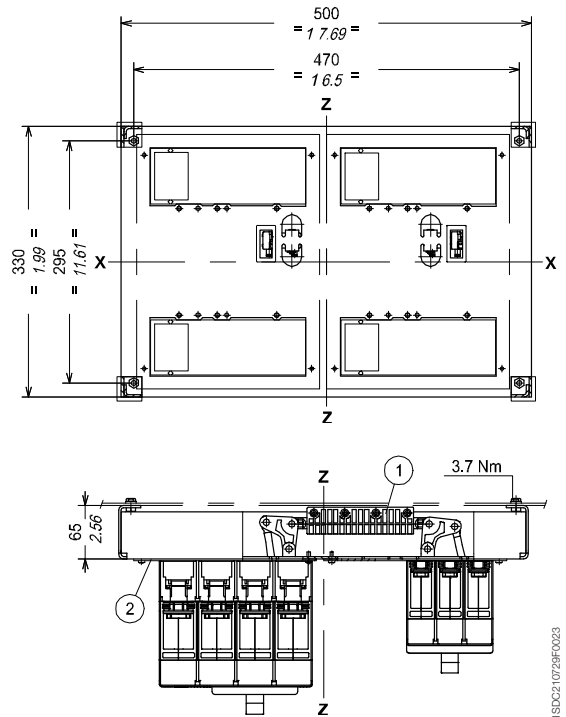
	A	B	C
T1-T2	35	70	17.5
	1.38	2.76	0.69
T3	46.5	93	23.25
	1.83	3.66	0.92

Fixed version

Interlock between two circuit breakers placed side by side

Caption

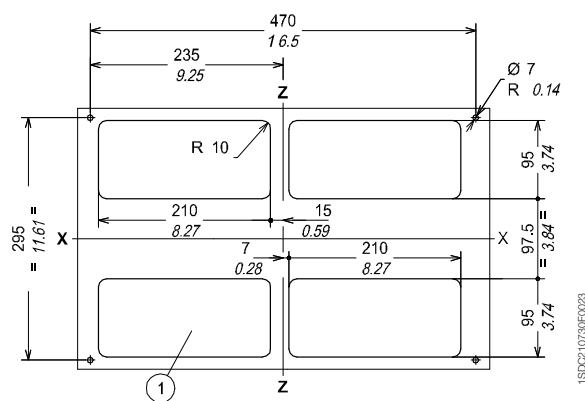
- ① Interlocking mechanism
- ② Circuit breaker coupling plate



Caption

- ① Drilling template for all versions with rear terminals

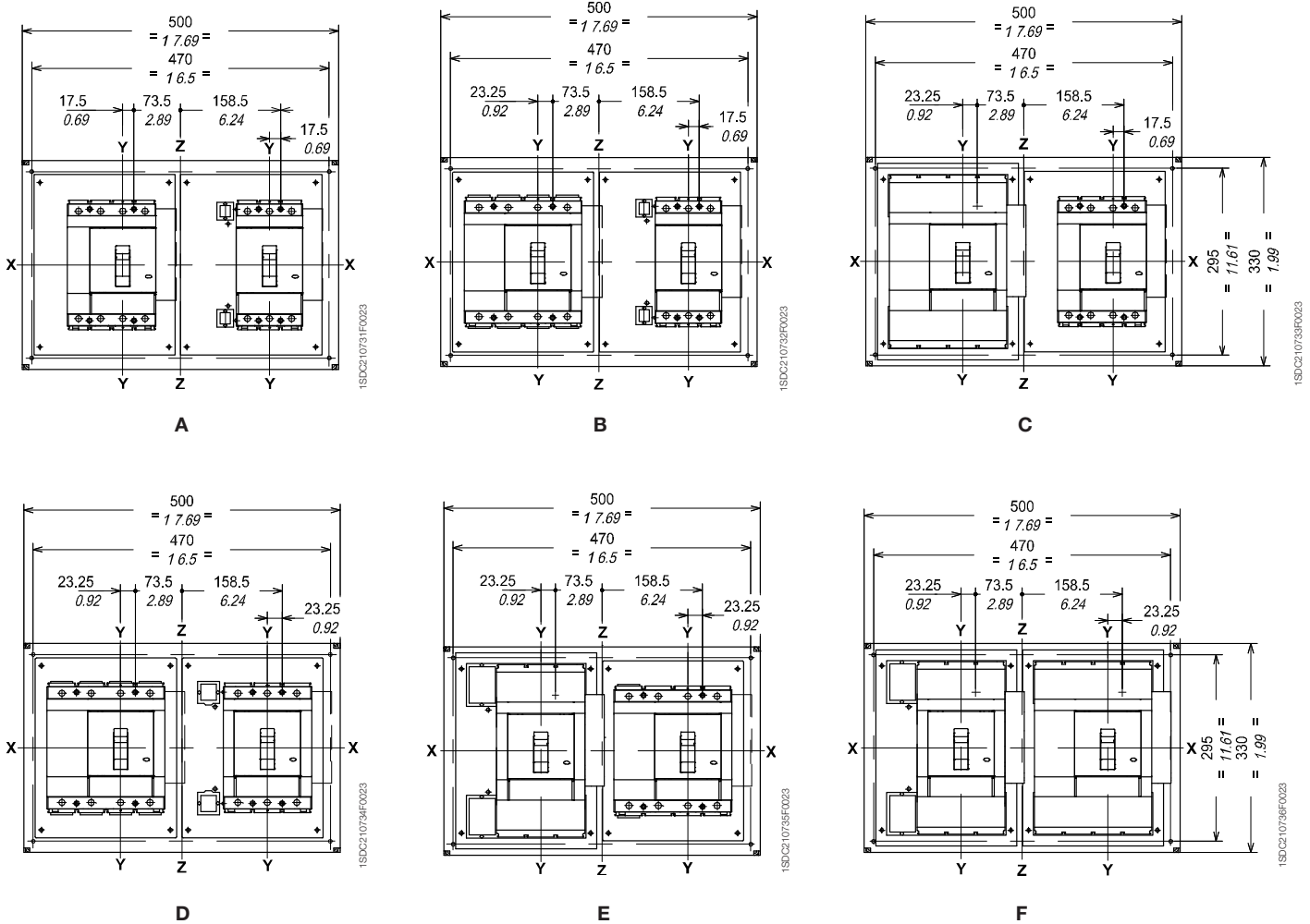
Drilling templates for fixing the circuit breaker on the support sheet



Overall dimensions

Accessories for Tmax T4 - T5

Interlock between two circuit breakers placed side by side

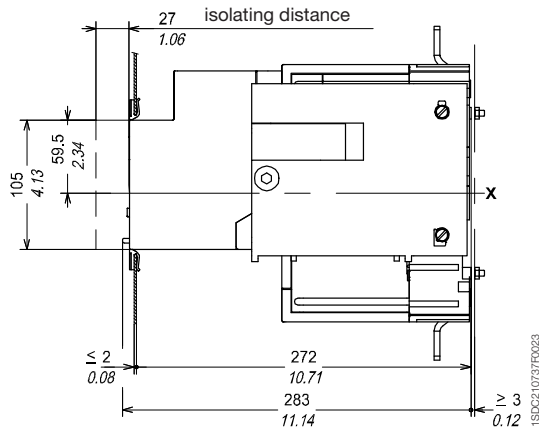


Type	Circuit breakers
A	N° 1 T4 (F-P-W)
	N° 1 T4 (F-P-W)
B	N° 1 T4 (F-P-W)
	N° 1 T5 400 (F-P-W) or T5 600* (F)
C	N° 1 T4 (F-P-W)
	N° 1 T5 600* (P-W)
D	N° 1 T5 400 (F-P-W) or T5 600* (F)
	N° 1 T5 400 (F-P-W) or T5 600* (F)
E	N° 1 T5 400 (F-P-W) or T5 600* (F)
	N° 1 T5 600* (P-W)
F	N° 1 T5 600* (P-W)
	N° 1 T5 600* (P-W)

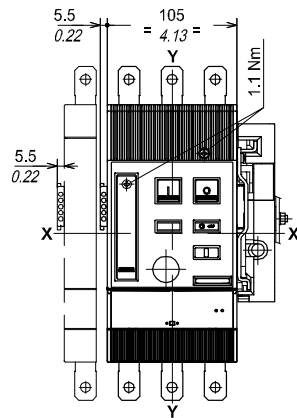
Note:
 (F) Fixed circuit breaker
 (P) Plug-in circuit breaker
 (W) Draw out circuit breaker
 * Please ask ABB for 600 A availability

Draw out version

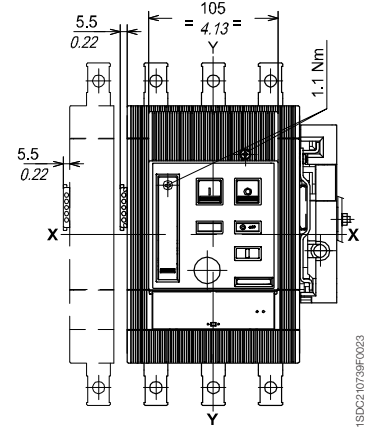
Motor operator



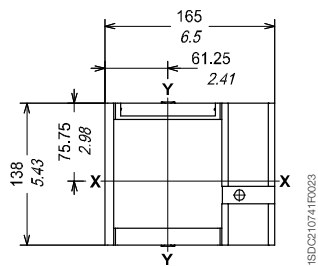
T4



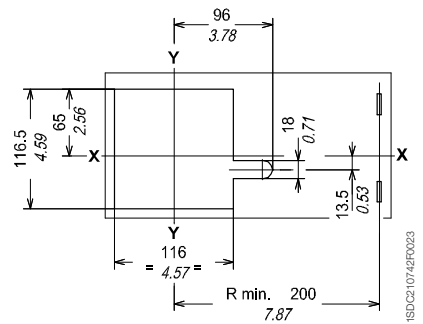
T5 (400 A)



**Flange for the compartment door
(supplied as standard)**



**Drilling templates for the compartment
door and fitting flange**



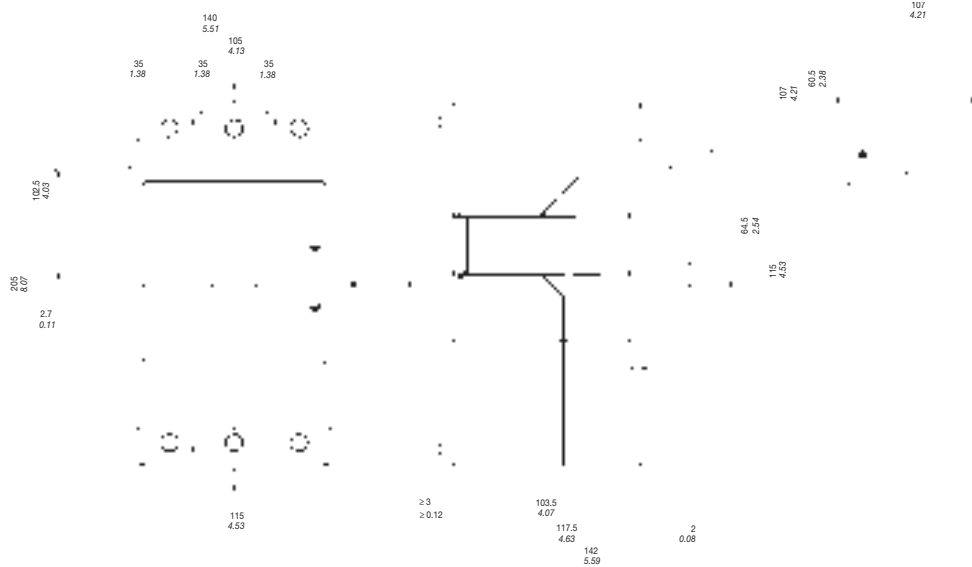
Overall dimensions

Accessories for Tmax T4 - T5

Caption

- ① IP42 protection
- ② Compartment door sheet steel drilling
- ③ Spacing when equipped with SOR-C, UVR-C, RC221-222

Protection kit IP42 for T4 fixed

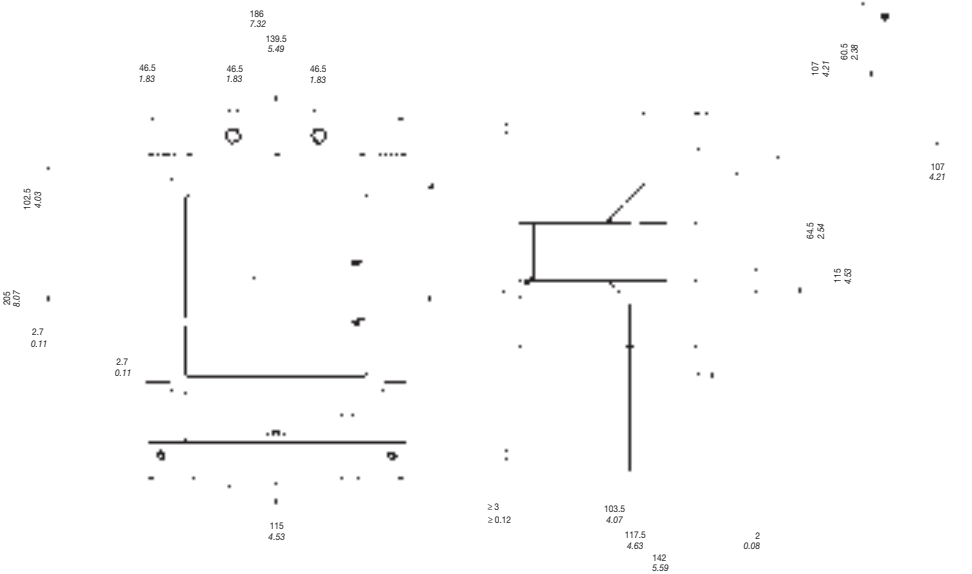


1SDC21005AF0001

Caption

- ① IP42 protection
- ② Compartment door sheet steel drilling
- ③ Spacing when equipped with SOR-C, UVR-C, RC221-222
- ④ Spacing when equipped with AUX-C (3Q 1SY only)

Protection kit IP42 for T5 fixed



1SDC21005BF0001

Overall dimensions

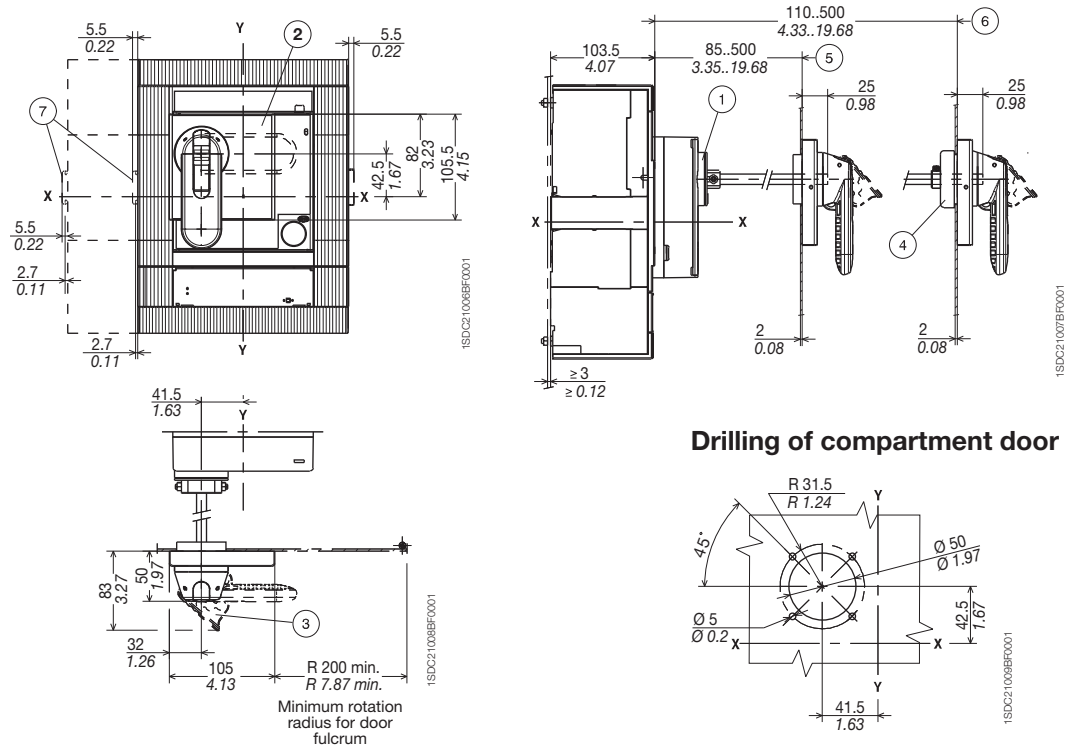
Accessories for Tmax T6

Fixed version

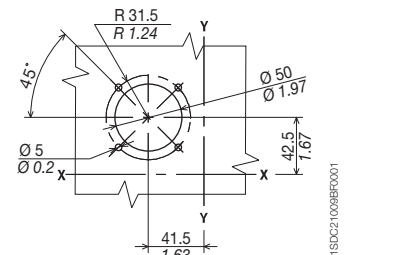
Caption

- ① Transmission unit
- ② Rotary handle assembly with door lock device
- ③ Padlock device for open position (maximum 3 padlocks to be provided by the user)
- ④ IP54 protection (supplied on request)
- ⑤ Min...max distance from the front of the door without accessory ④
- ⑥ Min...max distance from the front of the door with accessory ④
- ⑦ Dimension with AUE connector (early making contact)

Rotary handle operating mechanism on the compartment door



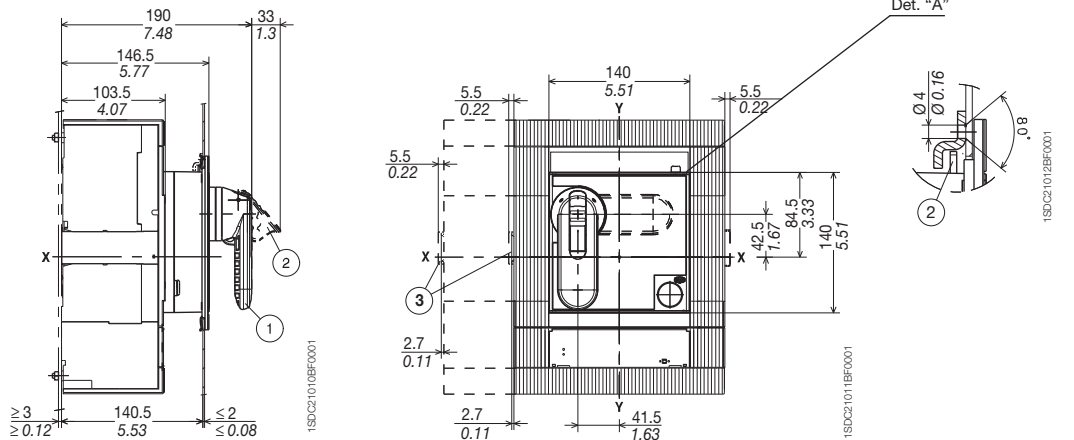
Drilling of compartment door



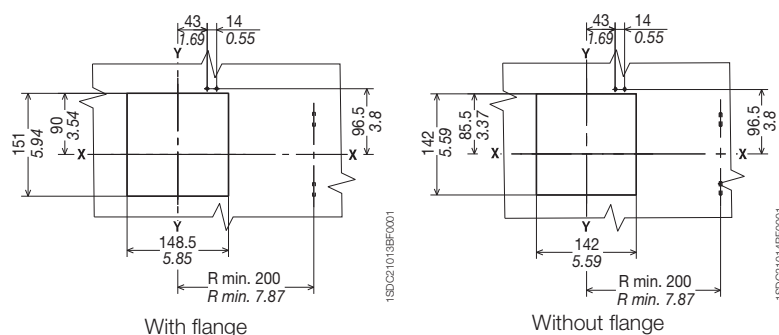
Caption

- ① Rotary handle operating mechanism on circuit-breaker
- ② Padlock device for open position (maximum 3 padlocks to be provided by the user)
- ③ Dimension with AUE connector (early making contact)
- ④ Compartment door lock

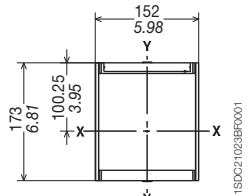
Rotary handle operating mechanism on circuit breaker



Drilling template of the compartment door



Flange for the compartment door



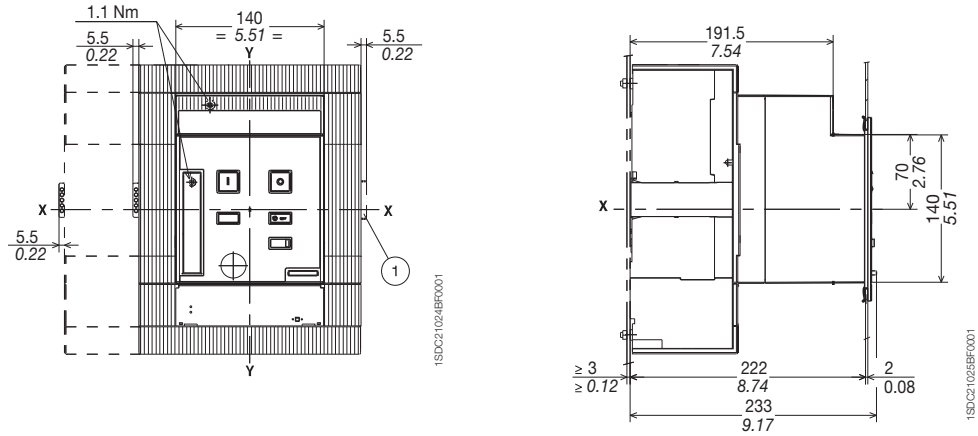
Overall dimensions

Accessories for Tmax T6

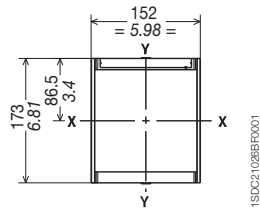
Caption

- ① Overall dimensions with cabled auxiliary contacts mounted (only 3Q 1SY)

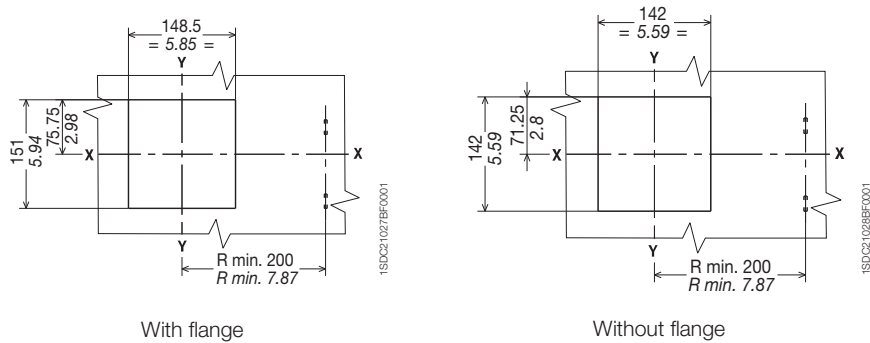
Motor operator



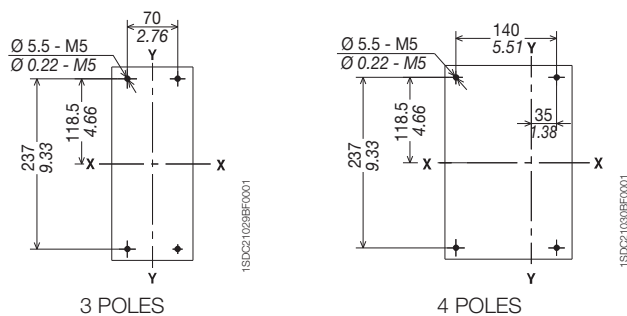
Flange for the compartment door (supplied as standard)



Drilling template of the compartment door



Drilling template for support sheet

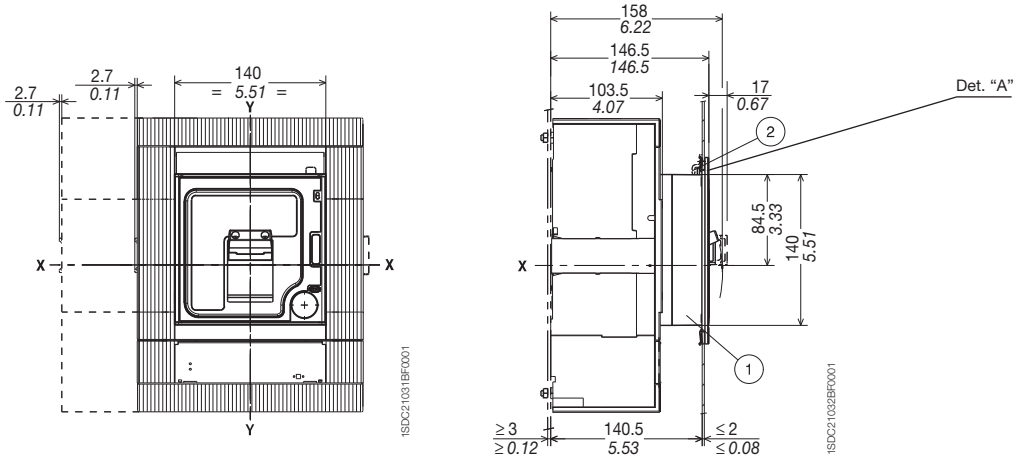


Fixed version

Front for lever operating mechanism

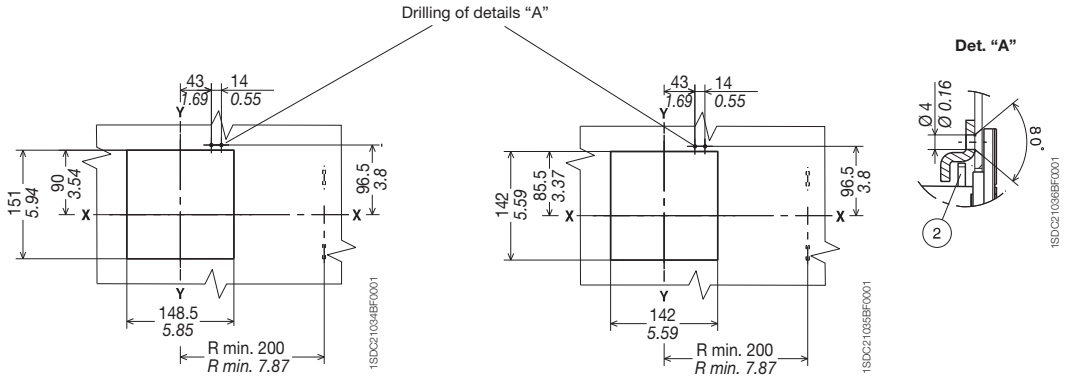
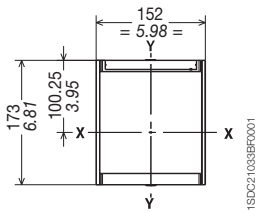
Caption

- ① Front for lever operating mechanism
- ② Lock for the compartment door

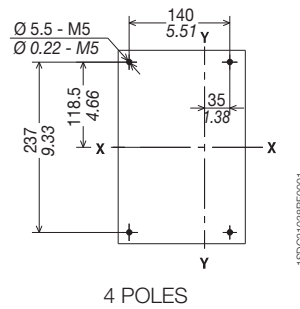
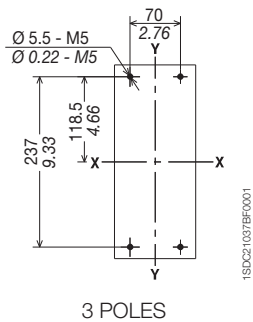


Flange for the compartment door (supplied as standard)

Drilling template for the compartment door



Drilling template for support sheet

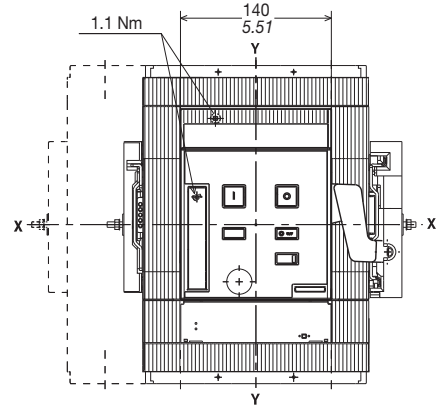
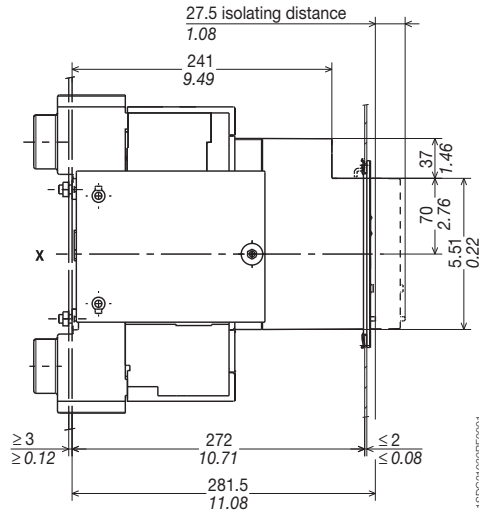


Overall dimensions

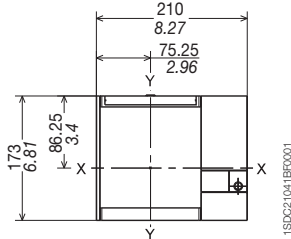
Accessories for Tmax T6

Draw out version

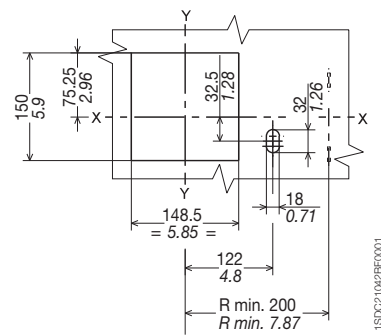
Motor operator



Flange for the compartment door (supplied as standard)



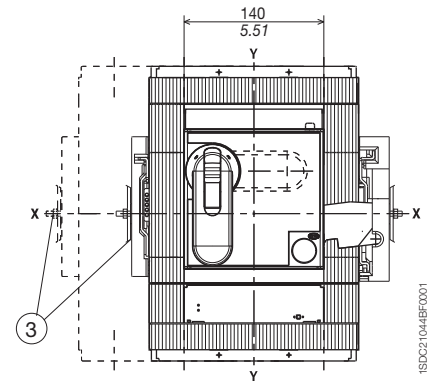
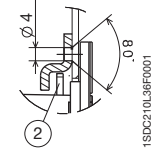
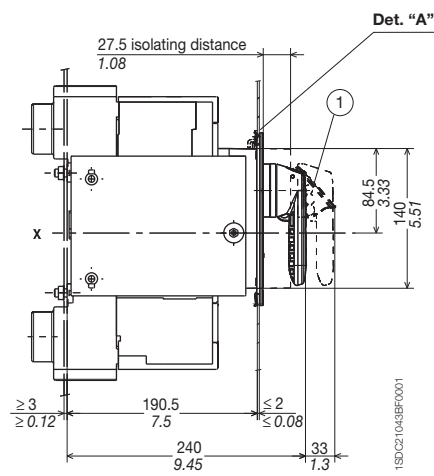
Drilling templates for the compartment door and fitting flange



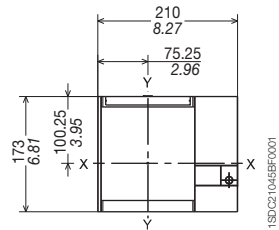
Caption

Rotary handle operating mechanism on the circuit breakers

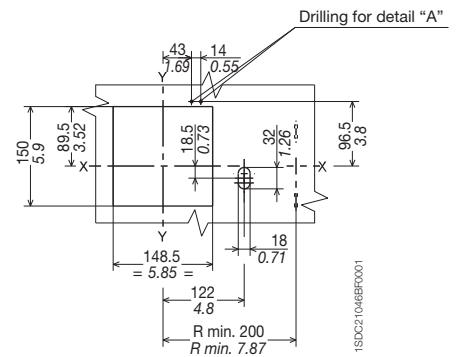
- ① Padlock device for open position (maximum 3 padlocks to be provided by the user)
- ② Lock for compartment door
- ③ Dimension with AUE connector (early making contact)
- ④ Interlocking mechanism
- ⑤ Circuit breaker coupling plate
- ⑥ Drilling template for all versions of terminals



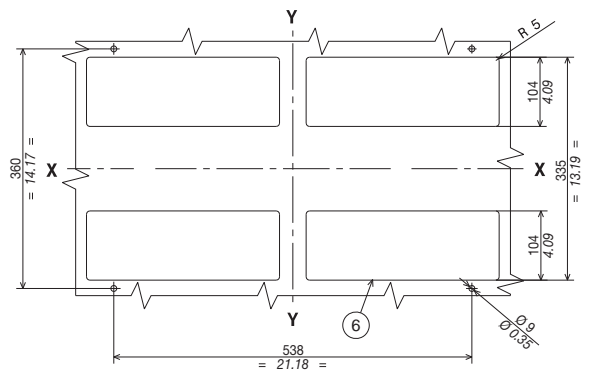
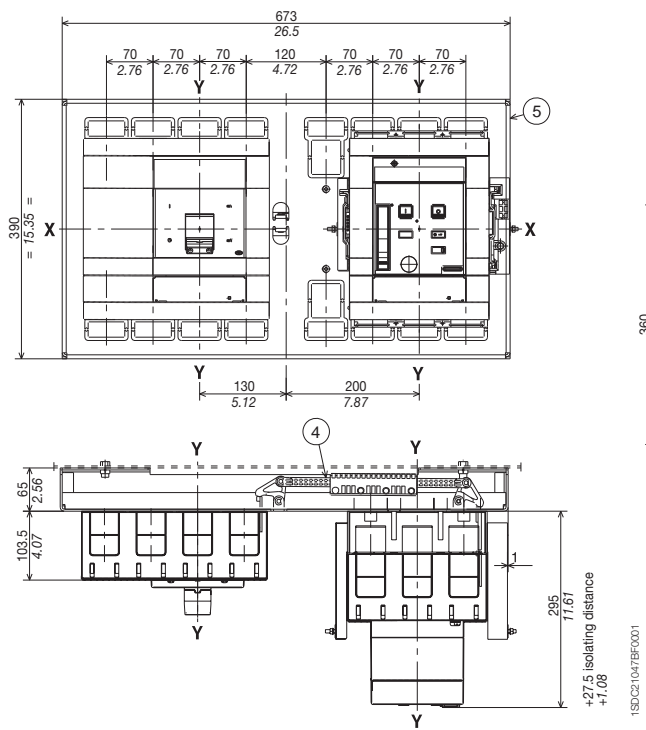
Flange for the compartment door



Drilling template for compartment door and fitting flange



Mechanical interlock



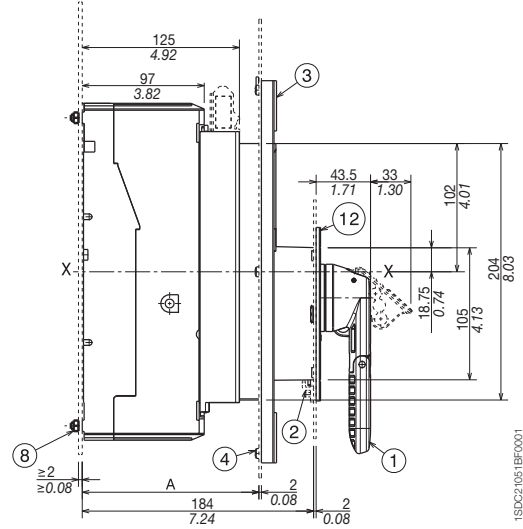
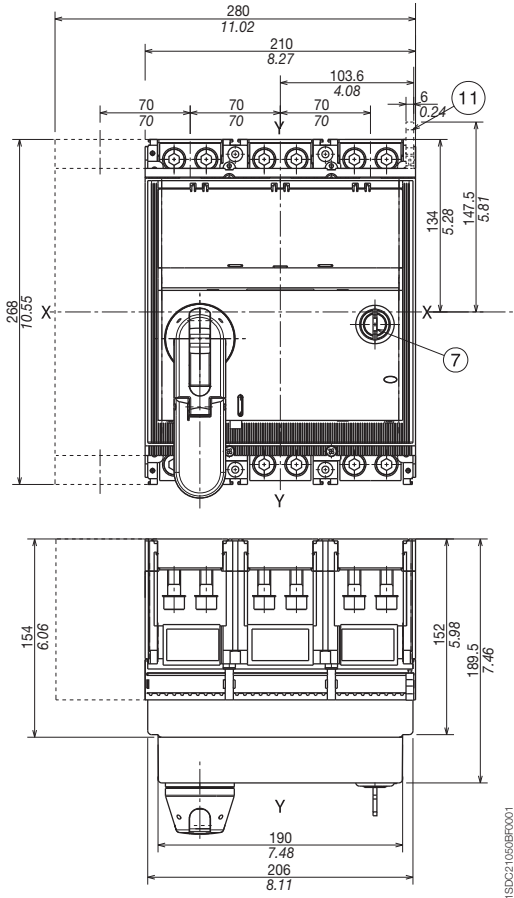
Overall dimensions

Accessories for Tmax T7

Fixed circuit breaker Rotary handle operating mechanism on the circuit breaker

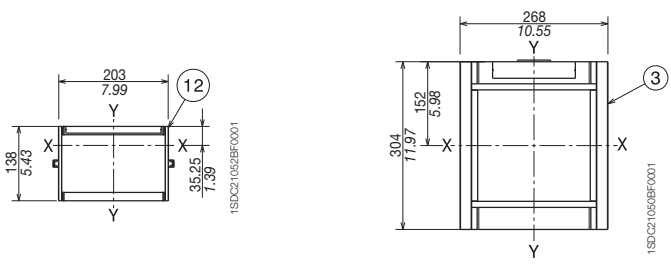
Caption

- ① Rotary handle operating mechanism for circuit breaker
- ② Compartment door interlock
- ③ Flange for the compartment door
- ④ Flange fixing screws
- ⑥ Support sheet drilling template
- ⑦ Key lock (optional)
- ⑧ Tightening torque: 2.5 Nm
- ⑨ Compartment door with flange sheet drilling
- ⑩ Compartment door sheet drilling for front 206 x 204
- ⑪ Terminal for auxiliary contacts
- ⑫ Reduced flange of the rotary handle for the compartment door (optional)
- ⑬ Compartment door sheet drilling for rotary handle
- ⑭ Compartment door sheet drilling without the rotary handle flange

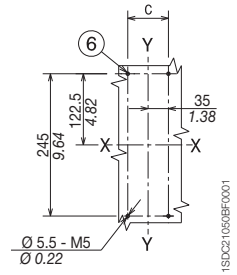


	With flange	Without flange
A	125...141 4.92...5.55	147 5.79
III		IV
C	70 2.76	140 5.51

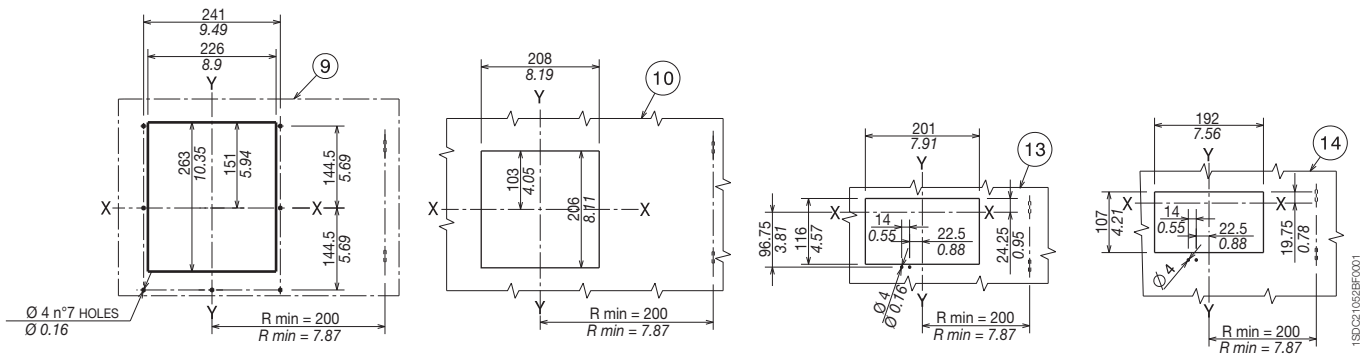
Flange for the compartment door (supplied as standard)



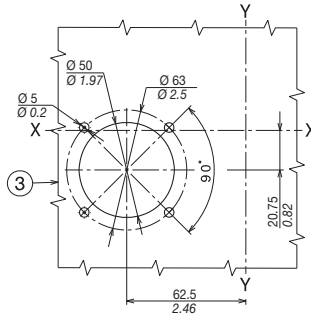
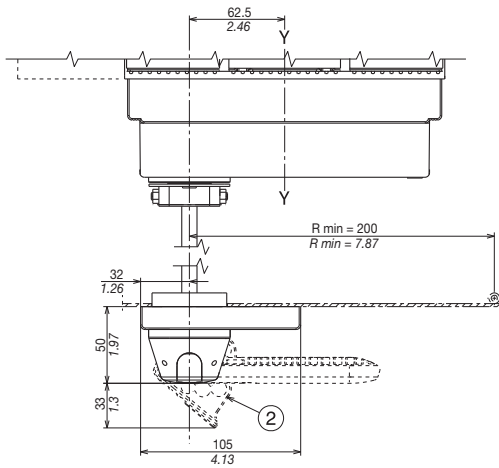
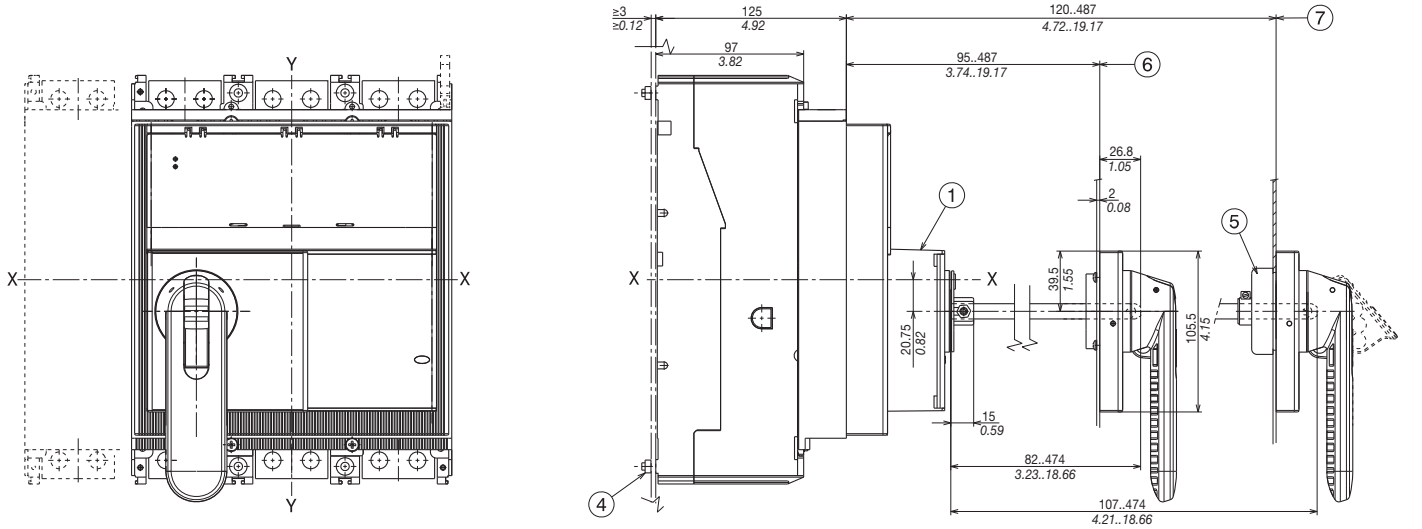
Drilling templates for support sheet



Drilling templates of the compartment door



Rotary handle operating mechanism on the compartment door



Caption

- ① Transmission mechanism for rotary handle operating mechanism
- ② Grip with key lock in open position (max n° 3 padlocks _7 mm not included in the supply)
- ③ Drilling template for compartment door
- ④ Tightening torque 2.5 Nm
- ⑤ Accessory for IP54 degree of protection (available on request)
- ⑥ Min...max distance from the front of the door
- ⑦ Min...max distance from the front of the door (with accessory with IP54 degree of protection)

Overall dimensions

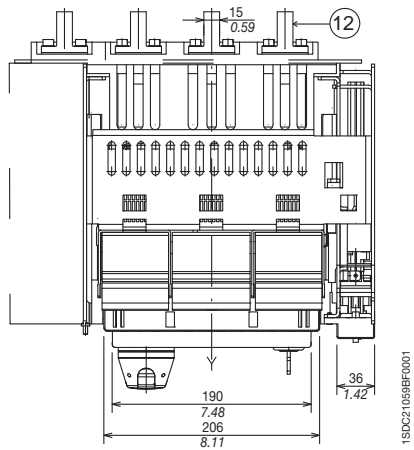
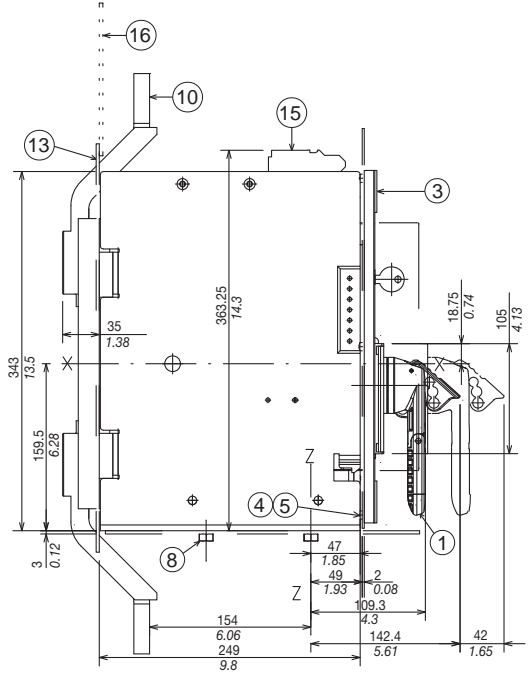
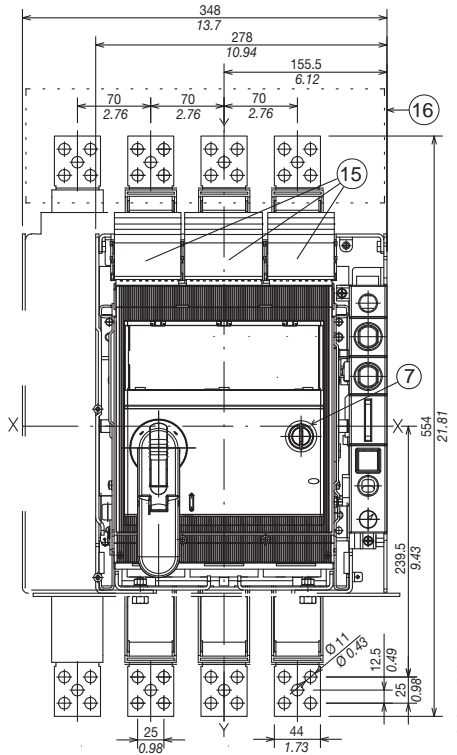
Accessories for Tmax T7

Draw out circuit breaker

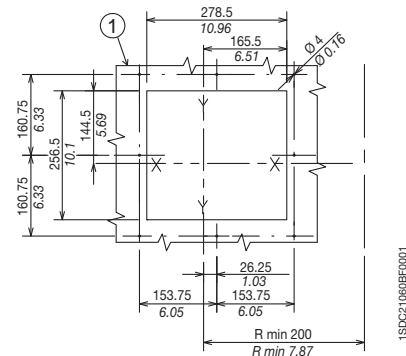
Rotary handle operating mechanism on the circuit breakers

Caption

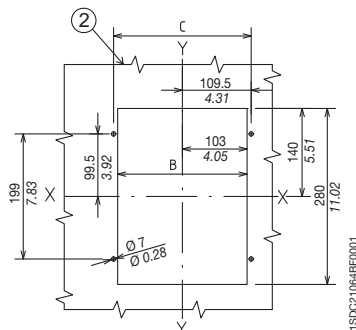
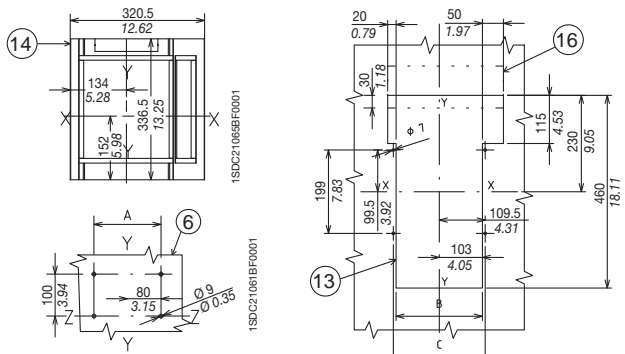
- ① Rotary handle operating mechanism on circuit breakers
- ② Rear segregation for rear terminals
- ③ Flange for the compartment door
- ④ Flange fixing screws
- ⑤ Tightening torque: 1.5 Nm
- ⑥ Drilling template for fixing onto support sheet
- ⑦ Key lock (optional)
- ⑧ Tightening torque: 9 Nm
- ⑨ Compartment door with flange sheet drilling
- ⑩ Front terminals
- ⑪ Rear horizontal terminals
- ⑫ Rear vertical terminals
- ⑬ Rear segregation for front terminals
- ⑭ Flange for the compartment door
- ⑮ Auxiliary contact terminal
- ⑯ Insulating protection



Drilling templates of the compartment door



Drilling templates for support sheet

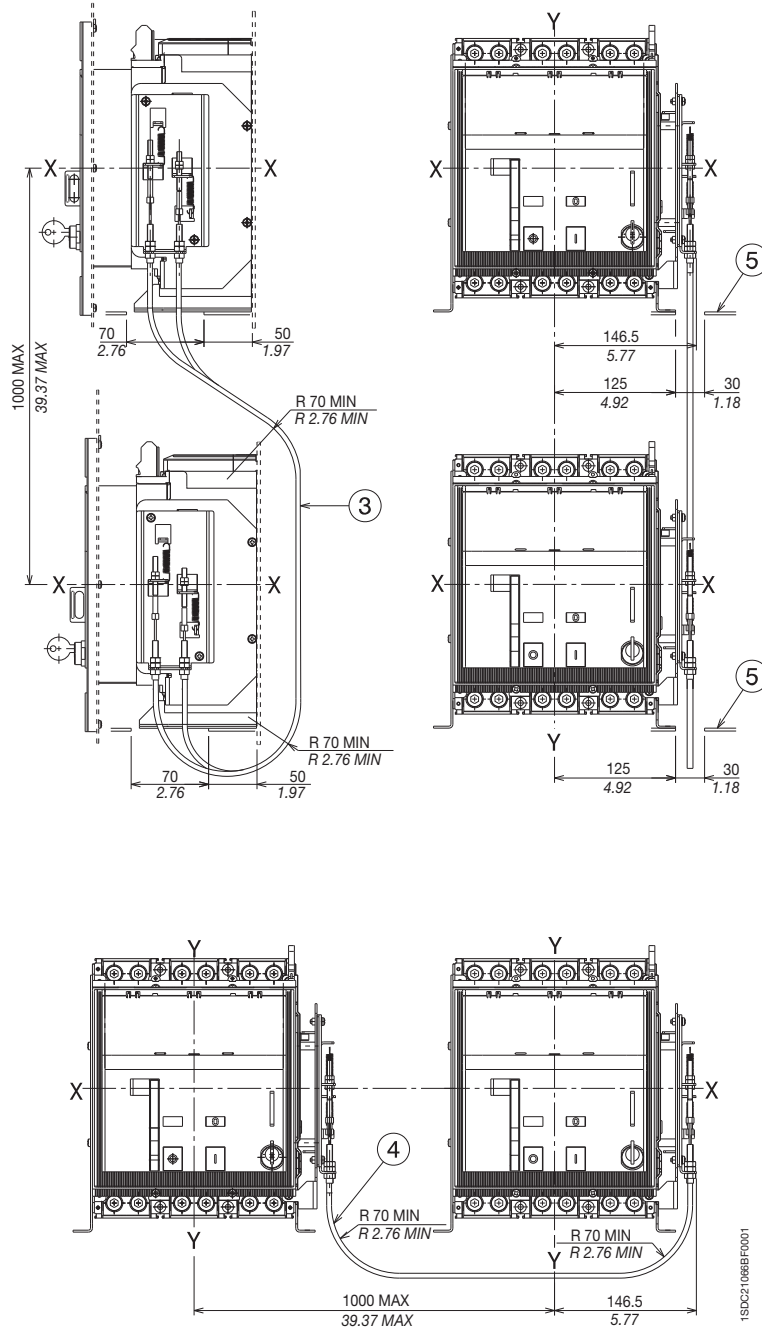


	III	IV
A	160	230
	6.3	9.05
B	206	276
	8.11	10.87
C	219	289
	8.62	11.38

Caption

Mechanical interlock for fixed circuit breakers

- ③ Mechanical vertical interlock for fixed circuit breakers
- ④ Mechanical horizontal interlock for fixed circuit breakers
- ⑤ Sheet drilling for wire passage of the mechanical interlock



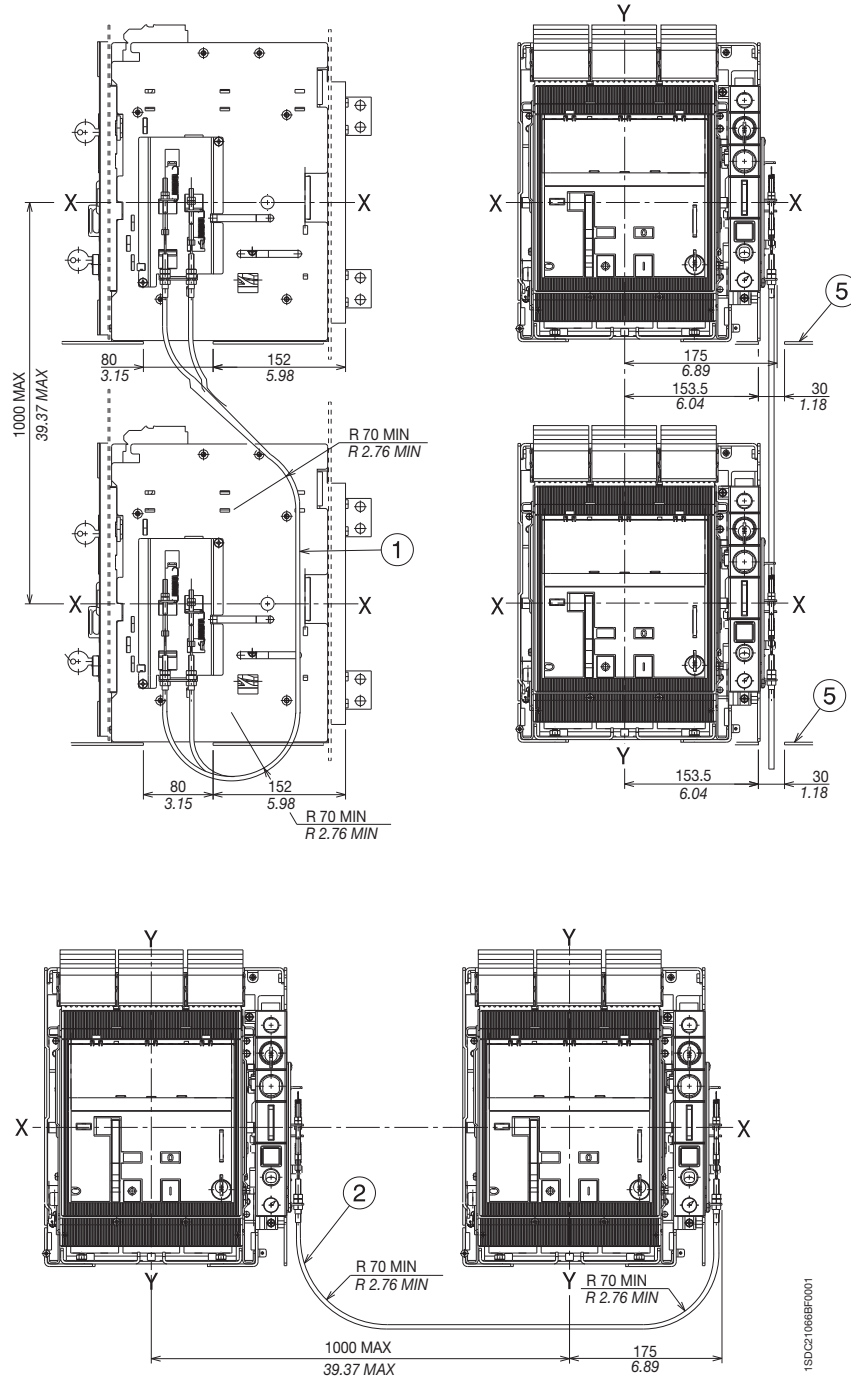
Overall dimensions

Accessories for Tmax T7

Caption

- ① Mechanical vertical interlock for draw out circuit breakers
- ② Mechanical horizontal interlock for draw out circuit breakers
- ⑤ Sheet drilling for wire passage of the mechanical interlock

Mechanical interlock for draw out circuit breakers



1SDC21066BF0001

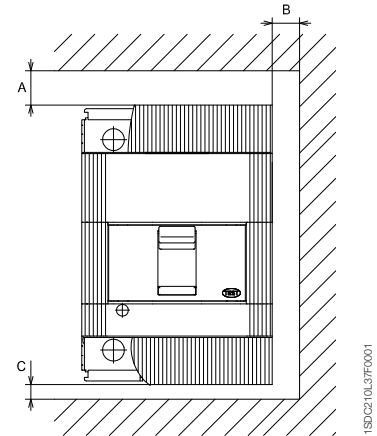
Overall dimensions

Distances to be respected

Insulation distances for installation in metallic cubicle

	A [mm - in]	B [mm - in]	C [mm - in]
T1	25 - 0.98	20 - 0.79	25 - 0.98
T2	25 - 0.98	20 - 0.79	20 - 0.79
T3	50 - 1.97	25 - 0.98	25 - 0.98
Ts3	35 - 1.38	25 - 0.98	20 - 0.79
T4	30 ^(*) - 1.18	25 - 0.98	25 ^(*) - 0.98
T5	30 ^(*) - 1.18	25 - 0.98	25 ^(*) - 0.98
T6	35 ^(*) - 1.38	25 - 0.98	20 - 0.79
T7	50 ^(*) - 1.97	20 - 0.79	10 - 0.39

^(*) For $U_b \geq 480$ V and T6L all versions: distances $A \Rightarrow 3.94$ in (100 mm)
^(*) For $U_n \geq 480$ V and ≤ 600 V: $A = 2.36$ in (60 mm), $C = 1.77$ in (45 mm) and ≤ 600 V



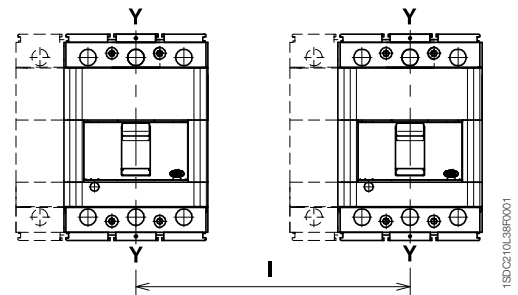
Minimum centre distance between two circuit breakers side by side or superimposed

For assembly side by side or superimposed, check that the connection busbars or cables do not reduce the air insulation distance

Minimum centre distance for two circuit breakers side by side

	Circuit breaker width [mm - in]		Centre distance I [mm - in]	
	3 poles	4 poles	3 poles	4 poles
T1	76 - 2.99	102 - 4.02	76 - 2.99	102 - 4.02
T2	90 - 3.54	120 - 4.72	90 - 3.54	120 - 4.72
T3	105 - 4.13	140 - 5.51	105 - 4.13	140 - 5.51
Ts3	105 - 4.13	140 - 5.51	105 - 4.13	140 - 5.51
T4	105 - 4.13	140 - 5.51	105 ^(*) - 4.13	140 ^(*) - 5.51
T5	140 - 5.51	184 - 7.24	140 ^(*) - 5.51	184 ^(*) - 7.24
T6	210 - 8.27	280 - 11.02	210 - 8.27	280 - 11.02
T7	210 - 8.27	280 - 11.02	210 - 8.27	280 - 11.02

^(*) For $U_b \geq 480$ V and ≤ 600 V minimum centre I (mm) 3 poles 180, minimum centre I (mm) 4 poles 224

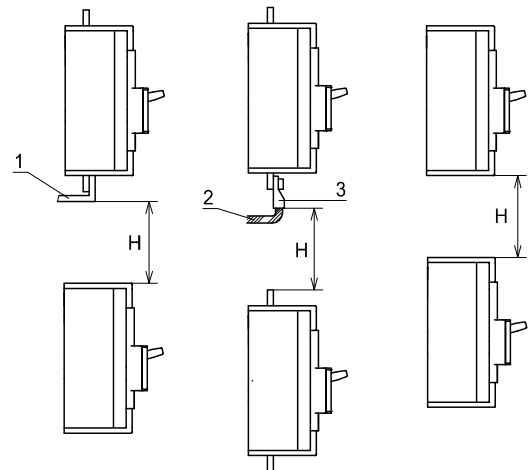


Minimum centre distance for superimposed circuit breakers

Caption

- ① Connection - not insulated
- ② Insulated cable
- ③ Cable terminal

	H [mm - in]
T1	60 - 2.36
T2	90 - 3.54
T3	140 - 5.51
Ts3	140 - 5.51
T4	160 - 6.30
T5	160 - 6.30
T6	180 - 7.09
T7	180 - 7.09



Note: The dimensions shown apply for operating voltage U_b up to 600 V. The dimensions to be respected must be added to the maximum dimensions of the various different versions of the circuit breakers, including the terminals.



Ordering codes

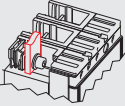
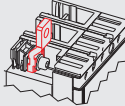
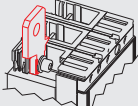
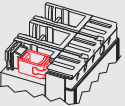
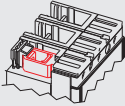
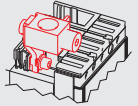
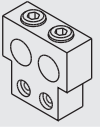
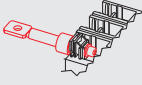
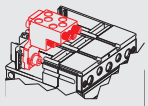
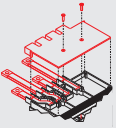
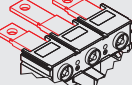
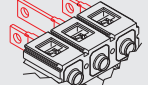


Index

General information	7/2
Instructions for ordering	7/3
Power distribution circuit breakers	7/5
Motor control protection circuit breakers.....	7/19
Molded case switches	7/22
Breaking parts	7/26
Loose trip unit	7/27
Cradles conversion kit and accessories for cradles.....	7/30
Accessories.....	7/36

Ordering codes

General information

Abbreviations used to describe the apparatus

	F = Front terminals		EF = Front extended terminals		ES = Front extended spread terminals
	FC Cu = Front terminals for copper cables		FC CuAl = Front terminals for Cu/Al cables		FC CuAl = Front terminals for Cu/Al cables (housed externally)
	RC CuAl = Rear terminals for Cu/Al cables		R = Rear terminals		MC = Multi-cable terminals
	HR for RC221/222 = Rear flat horizontal terminals		HR = Rear flat horizontal terminals		VR = Rear flat vertical terminals
HR/VR = Rear flat terminals					
	I₃ = Magnetic trip current [A]	I_u = Rated uninterrupted current of the circuit breaker [A]	N= 50% Protection of the neutral at 50% or at 100% of that of the phases [A]		
	I_n = Rated current of the thermomagnetic trip unit [A]	I_{cu} = Rated ultimate short-circuit breaking capacity [A]			
		I_{cw} = Rated short-time withstand current for 1s			
TMF = Thermomagnetic trip unit with fixed thermal and magnetic threshold	TMA = Thermomagnetic trip unit with adjustable thermal and magnetic threshold	MF = Fixed magnetic only trip units			
TMD = Thermomagnetic trip unit with adjustable thermal and fixed magnetic threshold	TMG = Thermomagnetic trip unit for generator protection	MA = Adjustable magnetic only trip units			
		PR22_ = Electronic trip units			
		PR23_ = Electronic trip units			
		PR33_ = Electronic trip units			

Ordering codes

Instructions for ordering

Ordering circuit breakers fitted with the accessories indicated in the catalogue means that these must be indicated by means of the relative sales codes expressly associated with the circuit breaker code. The following examples are of particular importance for correctly loading orders for circuit breakers fitted with accessories.

All circuit breakers in this section and all accessories identified by UL symbol conform to UL 489 and CSA C22.2 Standard.

1) T4-T5 electrical accessories on moving part of plug-in circuit breaker

Fitting the moving parts of plug-in T4-T5 circuit breakers with i.e. in the case of cabled electrical accessories SOR-C, UVR-C, AUX-C, MOE, MOE-E and AUE accessories, always requires the appropriate ADP adapters indicated in the catalogue.

a) Tmax T4L 250 moving part of plug-in circuit breakers with cabled auxiliary contacts

	1SDA...R1
T4L 250 F F P221DS-LS/I 100 3p	055438
Kit P MP T4 3p	054839
AUX-C 3Q 1SY 250 V AC/DC	054911
ADP – 12 pin adapter	054923

b) Tmax T4L 250 moving part of plug-in circuit breaker with SOR-C, MOE and AUX-C

	1SDA...R1
T4L 250 F F P221DS-LS/I 100 3p	055438
Kit P MP T4 3p	054839
SOR-C 220...240 V AC – 220...250 V DC	054873
MOE T4-T5 220...250 V AC/DC	054897
ADP – 10 pin adapter	054924
AUC-C 1Q 1SY 250 V AC/DC	054910
ADP – 6 pin adapter	054922

2) T4-T5 electrical accessories on moving part of draw out circuit breaker

Fitting the moving parts of T4-T5 draw out circuit breakers can only take place using electrical accessories in the cabled version, i.e. SOR-C, UVR-C, AUX-C, MOE, MOE-E and AUE with ADP adapter.

a) Tmax T5N 400 3p moving part of draw out circuit breaker with UVR-C and MOE

	1SDA...R1
T5N 400 F F TMA 400 3p	060631
Kit W MP T5 400 3p	054845
UVR-C 24...30 V AC/DC	054887
MOE T4-T5 24 V DC	054894
ADP – 10 pin adapter	054924

b) Tmax T4S 250 moving part of draw out circuit breaker SOR-C, RHE and AUE

	1SDA...R1
T4S 250 PR221DS-LS/I 100 3p F F	055422
KIT W MP T4 3p	054841
RHE normal for draw out circuit breaker	054933
AUE – 2 early contacts	054925
SOR-C 220...240 V AC / 220...250 V DC	054873
ADP – 10 pin adapter	054924

Ordering codes

Instructions for ordering

3) T4-T5 mechanical interlock

The rear interlock for T4 and T5, consisting of the MIR-HB or MIR-VB frame unit and the MIR-P plates, allows use of all the front accessories compatible with the circuit breakers used. To be able to receive the circuit breakers mounted directly on the interlock plate, code 1SDA050093R1 must be specified regarding the second circuit breaker (or cradle) which is to be interlocked.

Horizontal mechanical interlock made between T4H 250 and T5L 400



		1SDA...R1
POS1	T4H 250 PR221DS-LS/1 250 3p F F	055431
	MIR-HB horizontal interlock frame unit	054946
	MIR-P plates for type C interlock	054950
POS2	T5L 400 PR221DS-LS/1 400 3p F F	058168
	Code for circuit breakers mounted on the plate	050093

Ordering codes

Power distribution circuit breakers

T1 1p 100 – Fixed (F) – 1 Pole – UL Listed



Iu (40 °C) = 100 A - Front terminals for copper and aluminium cables (FC CuAl)

				1SDA R1					
				B					
				Icu (277 V)	18 kA				
<i>Thermomagnetic trip unit with fixed thresholds - TMF</i>		15 ⁽¹⁾	1000		053870				
		20	1000		053871				
		25	1000		053872				
		30	1000		053873				
		40	1000		053874				
		50	1500		053875				
		60	1500		053876				
		70	1500		053877				
		80	1500		053878				
		90	1500		053879				
		100	1500		053880				

⁽¹⁾ In 15 A = 10 kA @ 277 V AC

T1 1p 100 – Fixed (F) – 1 Pole – UL Listed



Iu (40 °C) = 100 A - Front terminals for copper and aluminium cables (FC CuAl)

				1SDA R1					
				B					
				Icu (277 V)	18 kA				
<i>Thermomagnetic trip unit with fixed thresholds - TMF</i>		15 ⁽¹⁾	1000		061824				
		20	1000		061825				
		25	1000		061826				
		30	1000		061827				
		40	1000		061828				
		50	1500		061829				
		60	1500		061830				
		70	1500		061831				
		80	1500		061832				
		90	1500		061833				
		100	1500		061834				

⁽¹⁾ In 15 A = 10 kA @ 277 V AC

T1 100 – Fixed (F) – 3 Poles – UL Listed

Iu (40 °C) = 100 A - Front terminals for copper and aluminium cables (FC CuAl)

				1SDA R1					
				N					
				Icu (480 V)	22 kA				
<i>Thermomagnetic trip unit with fixed thresholds - TMF</i>		15 ⁽¹⁾	1000		053533				
		20	1000		053534				
		25	1000		053535				
		30	1000		053536				
		40	1000		053537				
		50	1500		053538				
		60	1500		053539				
		70	1500		053540				
		80	1500		053541				
		90	1500		053542				
		100	1500		053543				

⁽¹⁾ In 15 A = 35 kA @ 240 V AC - 14 kA @ 480V/277 V AC



see "Abbreviation caption" page 7/2

Ordering codes

Power distribution circuit breakers

T1 100 – Fixed (F) – 4 Poles – UL Listed



Iu (40 °C) = 100 A - Front terminals for copper and aluminium cables (FC CuAl)

				Icu (480 V)	N	1SDA R1				
Thermomagnetic trip unit with fixed thresholds - TMF						22 kA				
	15 ⁽¹⁾	1000			053544					
	20	1000			053545					
	25	1000			053546					
	30	1000			053547					
	40	1000			053548					
	50	1500			053549					
	60	1500			053550					
	70	1500			053551					
	80	1500			053552					
	90	1500			053553					
	100	1500			053554					

⁽¹⁾ In 15 A = 35 kA @ 240 V AC - 14 kA @ 480Y/277 V AC

T1 100 – Fixed (F) – 3 Poles – UL Listed



Iu (40 °C) = 100 A - Front terminals for copper cables (FC Cu)

				Icu (480 V)	N	1SDA R1				
Thermomagnetic trip unit with fixed thresholds - TMF						22 kA				
	15 ⁽¹⁾	1000			061799					
	20	1000			061800					
	25	1000			061801					
	30	1000			061802					
	40	1000			061803					
	50	1500			061804					
	60	1500			061805					
	70	1500			061806					
	80	1500			061807					
	90	1500			061808					
	100	1500			061809					

⁽¹⁾ In 15 A = 35 kA @ 240 V AC - 14 kA @ 480Y/277 V AC

T1 100 – Fixed (F) – 4 Poles – UL Listed

Iu (40 °C) = 100 A - Front terminals for copper cables (FC Cu)



				Icu (480 V)	N	1SDA R1				
Thermomagnetic trip unit with fixed thresholds - TMF						22 kA				
	15 ⁽¹⁾	1000			061810					
	20	1000			061811					
	25	1000			061812					
	30	1000			061813					
	40	1000			061814					
	50	1500			061815					
	60	1500			061816					
	70	1500			061818					
	80	1500			061819					
	90	1500			061820					
	100	1500			061821					


⁽¹⁾ In 15 A = 35 kA @ 240 V AC - 14 kA @ 480Y/277 V AC

see "Abbreviation caption" page 7/2





T2 100 – Fixed (F) – 3 Poles – UL Listed
 Iu (40 °C) = 100 A - Front terminals (F)


				1SDA R1	
				S	H
Thermomagnetic trip unit with fixed thresholds - TMF		Icu (480 V)		35 kA	65 kA
	15	500		053892	053916
	20	500		053893	053917
	25	500		053894	053918
	30	500		053895	053919
	35	500		053896	053920
	40	500		053897	053921
	50	500		053898	053922
	60	600		053899	053923
	70	700		053900	053924
	80	800		053901	053925
	90	900		053902	053926
	100	1000		053903	053927

			1SDA R1		
				S	H
Electronic trip unit		Icu (480 V)		35 kA	65 kA
PR221DS-LS/I	25			055214	055220
PR221DS-LS/I	60			055215	055221
PR221DS-LS/I	100			055216	055222

Note: The trip coil of the T2 circuit breaker with PR221DS electronic trip unit is housed in the right slot.
 For T2 with PR221DS the following groups of auxiliary contacts are available:
 - 1SDA053704R1 Aux-C 1551-1Q-15Y
 - 1SDA055504R1 Aux-C 2Q-15Y

T2 100 – Fixed (F) – 4 Poles – UL Listed
 Iu (40 °C) = 100 A - Front terminals (F)

				1SDA R1	
				S	H
Thermomagnetic trip unit with fixed thresholds - TMF		Icu (480 V)		35 kA	65 kA
	15	500		053904	053928
	20	500		053905	053929
	25	500		053906	053930
	30	500		053907	053931
	35	500		053908	053932
	40	500		053909	053933
	50	500		053910	053934
	60	600		053911	053935
	70	700		053912	053936
	80	800		053913	053937
	90	900		053914	053938
	100	1000		053915	053939

			1SDA R1		
				S	H
Electronic trip unit		Icu (480 V)		35 kA	65 kA
PR221DS-LS/I	25			055217	055223
PR221DS-LS/I	60			055218	055224
PR221DS-LS/I	100			055219	055225

Note: The trip coil of the T2 circuit breaker with PR221DS electronic trip unit is housed in the right slot.
 For T2 with PR221DS the following groups of auxiliary contacts are available:
 - 1SDA053704R1 Aux-C 1551-1Q-15Y
 - 1SDA055504R1 Aux-C 2Q-15Y

see "Abbreviation caption" page 7/2



Ordering codes

Power distribution circuit breakers

T3 225 – Fixed (F) – 3 Poles – UL Listed

I_n (40 °C) = 225 A - Front terminals (F)

	I _n	I ₃	Icu (480 V)	1SDA R1	
				N	S
Thermomagnetic trip unit with fixed thresholds - TMF				25 kA	35 kA
	60	600		053557	053577
	70	700		053558	053578
	80	800		053559	053579
	90	900		053560	053580
	100	1000		053561	053581
	125	1250		053562	053582
	150	1500		053563	053583
	175	1750		053564	053584
	200	2000		053565	053585
	225	2250		053566	053586

T3 225 – Fixed (F) – 4 Poles – UL Listed

I_n (40 °C) = 225 A - Front terminals (F)

	I _n	I ₃	Icu (480 V)	1SDA R1	
				N	S
Thermomagnetic trip unit with fixed thresholds - TMF				25 kA	35 kA
	60	600		053567	053587
	70	700		053568	053588
	80	800		053569	053589
	90	900		053570	053590
	100	1000		053571	053591
	125	1250		053572	053592
	150	1500		053573	053593
	175	1750		053574	053594
	200	2000		053575	053595
	225	2250		053576	053596

see "Abbreviation caption" page 7/2

Ts3 150 – Fixed (F) – 2 Poles – UL Listed
 lu (40 °C) = 150 A - Front terminals (F)

	I_n	I_3	Icu (480 V)	1SDA R1		
				N	H	L
<i>Thermomagnetic trip unit with fixed thresholds - TMF</i>				25 kA	50 kA	85 kA ⁽¹⁾
	15	500		065390	065449	065478
	20	500		065422	065450	065479
	25	500		065423	065451	065480
	30	500		065424	065452	065481
	35	500		065425	065453	065482
	40	500		065426	065454	065483
	50	500		065427	065455	065484
	60	600		065428	065456	065485
	70	700		065429	065457	065486
	80	800		065430	065458	065487
	90	900		065431	065459	065488
	100	1000		065432	065460	065489
	125	1250		065433	065461	065490
	150	1500		065434	065462	065491

⁽¹⁾ In from 15 A up to 30 A = 65 kA @ 480 V AC

Ts3 150 – Fixed (F) – 3 Poles – UL Listed
 lu (40 °C) = 150 A - Front terminals (F)



	I_n	I_3	Icu (480 V)	1SDA R1		
				N	H	L
<i>Thermomagnetic trip unit with fixed thresholds - TMF</i>				25 kA	50 kA	85 kA ⁽¹⁾
	15	500		065388	065435	065463
	20	500		065396	065436	065464
	25	500		065397	065437	065465
	30	500		065398	065438	065466
	35	500		065399	065439	065467
	40	500		065400	065440	065468
	50	500		065401	065441	065469
	60	600		065402	065442	065470
	70	700		065403	065443	065471
	80	800		065404	065444	065472
	90	900		065405	065445	065473
	100	1000		065406	065446	065474
	125	1250		065407	065447	065475
	150	1500		065408	065448	065476

⁽¹⁾ In from 15 A up to 30 A = 65 kA @ 480 V AC

Ordering codes



Power distribution circuit breakers

Ts3 150 – Fixed (F) – 4 Poles – UL Listed I_u (40 °C) = 150 A - Front terminals (F)



		 		1SDA R1		
				N	L	
				25 kA	85 kA ⁽¹⁾	
				Icu (480 V)		
				Thermomagnetic trip unit with fixed thresholds - TMF		
	15	500		065389		
	20	500		065409		
	25	500		065410		
	30	500		065411		
	35	500		065412		
	40	500		065413		
	50	500		065414		
	60	600		065415		
	70	700		065416		
	80	800		065417		065477
	90	900		065418		
	100	1000		065419		
	125	1250		065420		
	150	1500		065421		

⁽¹⁾ In from 15 A up to 30 A = 65 kA @ 480 V AC



Ts3 225 – Fixed (F) – 2 Poles – UL Listed I_u (40 °C) = 225 A - Front terminals (F)

		 		1SDA R1		
				N	H	L
				25 kA	50 kA	65 kA
				Icu (480 V)		
				Thermomagnetic trip unit with fixed thresholds - TMF		
	175	1750		065498	065504	065510
	200	2000		065499	065505	065511
	225	2250		065500	065506	065512

Ts3 225 – Fixed (F) – 3 Poles – UL Listed I_u (40 °C) = 225 A - Front terminals (F)

		 		1SDA R1		
				N	H	L
				25 kA	50 kA	65 kA
				Icu (480 V)		
				Thermomagnetic trip unit with fixed thresholds - TMF		
	175	1750		065492	065501	065507
	200	2000		065493	065502	065508
	225	2250		065494	065503	065509

Ts3 225 – Fixed (F) – 4 Poles – UL Listed I_u (40 °C) = 225 A - Front terminals (F)

		 		1SDA R1		
				N		
				25 kA		
				Icu (480 V)		
				Thermomagnetic trip unit with fixed thresholds - TMF		
	175	1750		065495		
	200	2000		065496		
	225	2250		065497		

see "Abbreviation caption" page 7/2



T4 250 – Fixed (F) – 2 Poles – UL Listed
 Iu (40 °C) = 250 A - Front terminals (F)

		I_n	I_3	1SDA R1					
				N					
				Icu (480 V)	25 kA				
Thermomagnetic trip unit - TMF, TMD and TMA					064113				
	30	500			064114				
	40	500			064115				
	50	500			064117				
	80	400...800			064118				
	100	500...1000			064119				
	125	625...1250			064120				
	150	750...1500			064121				
	200	1000...2000			064122				
	250	1250...2500							

		I_n	1SDA R1						
		N							
				Icu (480 V)	25 kA				
Electronic trip unit					064123				
PR221DS-LS/I	100				064124				
PR221DS-LS/I	150				064125				
PR221DS-LS/I	250				064126				
PR222DS/P-LSI	100				064127				
PR222DS/P-LSI	150				064128				
PR222DS/P-LSI	250				064129				
PR222DS/P-LSIG	100				064130				
PR222DS/P-LSIG	150				064131				
PR222DS/P-LSIG	250								

see "Abbreviation caption" page 7/2

Ordering codes



Power distribution circuit breakers


T4 250 – Fixed (F) – 3 Poles – UL Listed
 lu (40 °C) = 250 A - Front terminals (F)

		1SDA R1				
		N	S	H	L	V
Thermomagnetic trip unit - TMF, TMD and TMA	I_n					
	I₃					
	Icu (480 V)	25 kA	35 kA	65 kA	100 kA	150 kA
	20 500	060094	060181	060182	060183	060184
	30 500	057175	057185	057194	057204	058141
	40 500	057176	057186	057195	057205	058142
	50 500	057177	057187	057196	057206	058143
	80 400...800	057179	057188	057197	058135	058144
	100 500...1000	057180	057189	057198	058136	058145
	125 625...1250	057181	057190	057199	058137	058146
	150 750...1500	057182	057191	057200	058138	058147
200 1000...2000	057183	057192	057201	058139	058148	
250 1250...2500	057184	057193	057203	058140	058149	

		1SDA R1				
		N	S	H	L	V
Electronic trip unit	I_n					
	Icu (480 V)	25 kA	35 kA	65 kA	100 kA	150 kA
	PR221DS-LS/I 100	055411	055420	055429	055438	055447
	PR221DS-LS/I 150	055412	055421	055430	055439	055448
	PR221DS-LS/I 250	055413	055422	055431	055440	055449
	PR222DS/P-LSI 100	055414	055423	055432	055441	055450
	PR222DS/P-LSI 150	055415	055424	055433	055442	055451
	PR222DS/P-LSI 250	055416	055425	055434	055443	055452
	PR222DS/P-LSIG 100	055417	055426	055435	055444	055453
	PR222DS/P-LSIG 150	055418	055427	055436	055445	055454
	PR222DS/P-LSIG 250	055419	055428	055437	055446	055455

T4 250 – Fixed (F) – 4 Poles – UL Listed
 Iu (40 °C) = 250 A - Front terminals (F)

				1SDA R1			
				N	H		
				25 kA	65 kA		
<i>Thermomagnetic trip unit - TMF, TMD and TMA</i>				Icu (480 V)			
	20	500		060095	060105		
	30	500		060096	060106		
	40	500		060097	060107		
	50	500		060098	060108		
	80	400...800		060099	060109		
	100	500...1000		060100	060110		
	125	625...1250		060101	060111		
	150	750...1500		060102	060112		
	200	1000...2000		060103	060113		
	250	1250...2500		060104	060114		

			1SDA R1				
				N	H		
				25 kA	65 kA		
<i>Electronic trip unit</i>				Icu (480 V)			
PR221DS-LS/I	100			060088	060091		
PR221DS-LS/I	150			060089	060092		
PR221DS-LS/I	250			060090	060093		
PR222DS/P-LSI	100			060439	060445		
PR222DS/P-LSI	150			060440	060446		
PR222DS/P-LSI	250			060441	060447		
PR222DS/P-LSIG	100			060442	060448		
PR222DS/P-LSIG	150			060443	060449		
PR222DS/P-LSIG	250			060444	060450		

see "Abbreviation caption" page 7/2

Ordering codes

Power distribution circuit breakers

T5 400 – Fixed (F) – 2 Poles – UL Listed Iu (40 °C) = 400 A - Front terminals (F)

		I_n	I_3	1SDA R1					
				N					
				Icu (480 V)					
Thermomagnetic trip unit - TMA		300	1500...3000	25 kA					
		400	2000...4000	064132					
				064133					

		I_n	1SDA R1						
				N					
				Icu (480 V)					
Electronic trip unit				25 kA					
PR221DS-LS/I	300			064134					
PR221DS-LS/I	400			064135					
PR222DS/P-LSI	300			064136					
PR222DS/P-LSI	400			064137					
PR222DS/P-LSIG	300			064138					
PR222DS/P-LSIG	400			064139					

T5 400 – Fixed (F) – 3 Poles – UL Listed Iu (40 °C) = 400 A - Front terminals (F)

		I_n	I_3	1SDA R1				
				N	S	H	L	V
				Icu (480 V)				
Thermomagnetic trip unit - TMA		300	1500...3000	25 kA	35 kA	65 kA	100 kA	150 kA
		400	2000...4000	060630	060634	060638	060642	060646
				060631	060635	060639	060643	060647

		I_n	1SDA R1					
				N	S	H	L	V
				Icu (480 V)				
Electronic trip unit				25 kA	35 kA	65 kA	100 kA	150 kA
PR221DS-LS/I	300			058150	058156	058161	058167	058173
PR221DS-LS/I	400			058151	058157	058162	058168	058174
PR222DS/P-LSI	300			058152	055502	058163	058169	058175
PR222DS/P-LSI	400			058153	058158	058164	058170	058176
PR222DS/P-LSIG	300			058154	058159	058165	058171	058177
PR222DS/P-LSIG	400			058155	058160	058166	058172	058178

T5 400 – Fixed (F) – 4 Poles – UL Listed
 I_u (40 °C) = 400 A - Front terminals (F)

		1SDA R1				
		N	S	H	L	V
Thermomagnetic trip unit - TMA	I_n					
	I₃					
	I_{cu} (480 V)	25 kA	35 kA	65 kA	100 kA	150 kA
300	1500...3000	060632	060636	060640	060644	060648
400	2000...4000	060633	060637	060641	060645	060649

		1SDA R1				
		N	S	H	L	V
Electronic trip unit	I_n					
	I_{cu} (480 V)	25 kA	35 kA	65 kA	100 kA	150 kA
	PR221DS-LS/I	300	060115		060117	
	PR221DS-LS/I	400	060116		060118	
	PR222DS/P-LSI	300	060451		060455	
	PR222DS/P-LSI	400	060452		060456	
	PR222DS/P-LSIG	300	060453		060457	
	PR222DS/P-LSIG	400	060454		060458	

T5 600 – Fixed (F) – 3 Poles – UL Listed
 I_u (40 °C) = 600 A - Front terminals (F)

		1SDA R1					
		N	S	H	L	V	
Electronic trip unit	I_n						
	I_{cu} (480 V)	25 kA	35 kA	65 kA	100 kA	150 kA	
	PR221DS-LS/I	600	061836	061839	061842	061845	061848
	PR222DS/P-LSI	600	061837	061840	061843	061846	061849
	PR222DS/P-LSIG	600	061838	061841	061844	061847	061850

Ordering codes

Power distribution circuit breakers

T6 800 – Fixed (F) – 3 Poles – UL Listed

I_n (40 °C) = 800 A - Front terminals (F)

		1SDA R1			
		N	S	H	L
Thermomagnetic trip unit - TM	I_n	35 kA	50 kA	65 kA	100 kA
	Icu (480 V)	061653	061657	061658	061659
	600 3000...6000	061661	061662	061663	061664

		1SDA R1			
		N	S	H	L
Electronic trip unit	I_n	35 kA	50 kA	65 kA	100 kA
	Icu (480 V)	061655	061672	061675	061681
	PR221DS-LS/I 600	061685	061691	061694	061700
	PR221DS-LS/I 800	061667	061673	061676	061682
	PR222DS/P-LSI 600	061686	061692	061695	061701
	PR222DS/P-LSI 800	061668	061674	061677	061683
	PR222DS/P-LSIG 600	061687	061693	061696	061702
	PR222DS/P-LSIG 800				

T6 800 – Fixed (F) – 4 Poles – UL Listed

I_n (40 °C) = 800 A - Front terminals (F)

		1SDA R1	
		N	H
Thermomagnetic trip unit - TM	I_n	35 kA	65 kA
	Icu (480 V)	061654	061660
	600 3000...6000	061665	061666

		1SDA R1	
		N	H
Electronic trip unit	I_n	35 kA	65 kA
	Icu (480 V)	061669	061678
	PR221DS-LS/I 600	061688	061697
	PR221DS-LS/I 800	061670	061679
	PR222DS/P-LSI 600	061689	061698
	PR222DS/P-LSI 800	061671	061680
	PR222DS/P-LSIG 600	061690	061699
	PR222DS/P-LSIG 800		

see "Abbreviation caption" page 7/2

T7 1000 – Fixed (F) – 3 Poles – UL Listed
 Iu (40 °C) = 1000 A - Front terminals (F)

		I _n	Icu (480 V)	1SDA R1		
<i>Electronic trip unit</i>				S	H	L
			50 kA	65 kA	100 kA	
PR231/P LS/I	1000		064764	064844	065268	
PR232/P LSI	1000		064765	064845	065269	
PR331/P LSIG	1000		064766	064846	065270	
PR332/P LI	1000		064767	064847	065271	
PR332/P LSI	1000		064768	064848	065272	
PR332/P LSIG	1000		064769	064849	065273	

T7 1000 – Fixed (F) – 4 Poles – UL Listed
 Iu (40 °C) = 1000 A - Front terminals (F)

		I _n	Icu (480 V)	1SDA R1		
<i>Electronic trip unit</i>				S	H	L
			50 kA	65 kA	100 kA	
PR231/P LS/I	1000		064770	064850	065274	
PR232/P LSI	1000		064771	064851	065275	
PR331/P LSIG	1000		064772	064852	065276	
PR332/P LI	1000		064773	064853	065277	
PR332/P LSI	1000		064774	064854	065278	
PR332/P LSIG	1000		064775	064855	065279	

T7 1200 – Fixed (F) – 3 Poles – UL Listed
 Iu (40 °C) = 1200 A - Front terminals (F)

		I _n	Icu (480 V)	1SDA R1		
<i>Electronic trip unit</i>				S	H	L
			50 kA	65 kA	100 kA	
PR231/P LS/I	1200		064868	064892	065292	
PR232/P LSI	1200		064869	064893	065293	
PR331/P LSIG	1200		064870	064894	065294	
PR332/P LI	1200		064871	064895	065295	
PR332/P LSI	1200		064872	064896	065296	
PR332/P LSIG	1200		064873	064897	065297	

T7 1200 – Fixed (F) – 4 Poles – UL Listed
 Iu (40 °C) = 1200 A - Front terminals (F)

		I _n	Icu (480 V)	1SDA R1		
<i>Electronic trip unit</i>				S	H	L
			50 kA	65 kA	100 kA	
PR231/P LS/I	1200		064874	064898	065298	
PR232/P LSI	1200		064875	064899	065299	
PR331/P LSIG	1200		064876	064900	065300	
PR332/P LI	1200		064877	064901	065301	
PR332/P LSI	1200		064878	064902	065302	
PR332/P LSIG	1200		064879	064903	065303	

see "Abbreviation caption" page 7/2

Ordering codes

Power distribution circuit breakers

T7M 1000 – Fixed (F) – 3 Poles – UL Listed

I_n (40 °C) = 1000 A - Front terminals (F)

		I _n	1SDA R1		
			S	H	L
Electronic trip unit		Icu (480 V)	50 kA	65 kA	100 kA
PR231/P LS/I	1000		064776	064856	065280
PR232/P LSI	1000		064777	064857	065281
PR331/P LSIG	1000		064778	064858	065282
PR332/P LI	1000		064779	064859	065283
PR332/P LSI	1000		064780	064860	065284
PR332/P LSIG	1000		064781	064861	065285

T7M 1000 – Fixed (F) – 4 Poles – UL Listed

I_n (40 °C) = 1000 A - Front terminals (F)

		I _n	1SDA R1		
			S	H	L
Electronic trip unit		Icu (480 V)	50 kA	65 kA	100 kA
PR231/P LS/I	1000		064782	064862	065286
PR232/P LSI	1000		064783	064863	065287
PR331/P LSIG	1000		064784	064864	065288
PR332/P LI	1000		064785	064865	065289
PR332/P LSI	1000		064786	064866	065290
PR332/P LSIG	1000		064787	064867	065291

T7M 1200 – Fixed (F) – 3 Poles – UL Listed

I_n (40 °C) = 1200 A - Front terminals (F)

		I _n	1SDA R1		
			S	H	L
Electronic trip unit		Icu (480 V)	50 kA	65 kA	100 kA
PR231/P LS/I	1200		064880	064904	065304
PR232/P LSI	1200		064881	064905	065305
PR331/P LSIG	1200		064882	064906	065306
PR332/P LI	1200		064883	064907	065307
PR332/P LSI	1200		064884	064908	065308
PR332/P LSIG	1200		064885	064909	065309

T7M 1200 – Fixed (F) – 4 Poles – UL Listed

I_n (40 °C) = 1200 A - Front terminals (F)

		I _n	1SDA R1		
			S	H	L
Electronic trip unit		Icu (480 V)	50 kA	65 kA	100 kA
PR231/P LS/I	1200		064886	064910	065310
PR232/P LSI	1200		064887	064911	065311
PR331/P LSIG	1200		064888	064912	065312
PR332/P LI	1200		064889	064913	065313
PR332/P LSI	1200		064890	064914	065314
PR332/P LSIG	1200		064891	064915	065315

see "Abbreviation caption" page 7/2

Ordering codes

Motor control protection circuit breakers

T2 100 – Fixed (F) – 3 Poles – UL Listed I_u (40 °C) = 100 A - Front terminals (F)

						1SDA R1				
						S	H			
Magnetic only trip unit - MA				I_{cu} (480 V)	35 kA	65 kA				
	20	120...240			055167	055170				
	50	300...600			055168	055171				
	100	600...1200			055169	055172				

						1SDA R1				
						S	H			
Electronic trip unit for motor protection				I_{cu} (480 V)	35 kA	65 kA				
PR221 DS-I	25				055463	055466				
PR221 DS-I	60				055464	055467				
PR221 DS-I	100				055465	055468				

T3 225 – Fixed (F) – 3 Poles – UL Listed I_u (40 °C) = 225 A - Front terminals (F)

						1SDA R1				
						S				
Magnetic only trip unit - MA				I_{cu} (480 V)	35 kA					
	100	600...1200			054163					
	125	750...1500			054164					
	150	900...1800			054165					
	200	1200...2400			054166					

Ts3 150 – Fixed (F) – 3 Poles – UL Listed I_u (40 °C) = 150 A - Front terminals (F)

						1SDA R1				
						L	L			
Magnetic only trip unit - MA				I_{cu} (480 V)	25 kA	85 kA				
	3	12...36			065391					
	5	20...60			065513					
	10	40...120			065514					
	25	100...300			065515					
	50	200...600				065516				
	100	400...1200				065517				
	125	500...1500				065518				
	150	600...1800				065519				

see "Abbreviation caption" page 7/2

Ordering codes

Motor control protection circuit breakers

Ts3 225 – Fixed (F) – 3 Poles – UL Listed

I_n I_s
I_u (40 °C) = 225 A - Front terminals (F)

		1SDA R1			
		L			
Magnetic only trip unit - MA		Icu (480 V)	65 kA		
	175	700...2100	065520		
	200	800...2400	065521		

T4 250 – Fixed (F) – 3 Poles – UL Listed

I_n
I_u (40 °C) = 250 A - Front terminals (F)

		1SDA R1				
		N	S	H	L	
Electronic trip unit for motor protection		Icu (480 V)	25 kA	35 kA	65 kA	100 kA
PR221 DS-I	100	059448	059451	059454	059457	
PR221 DS-I	150	059449	059452	059455	059458	
PR221 DS-I	250	059450	059453	059456	059459	

T5 400 – Fixed (F) – 3 Poles – UL Listed

I_n
I_u (40 °C) = 400 A - Front terminals (F)

		1SDA R1				
		N	S	H	L	
Electronic trip unit for motor protection		Icu (480 V)	25 kA	35 kA	65 kA	100 kA
PR221 DS-I	300	059460	059462	059464	059466	
PR221 DS-I	400	059461	059463	059465	059467	

T5 600 – Fixed (F) – 3 Poles – UL Listed

I_n
I_u (40 °C) = 600 A - Front terminals (F)

		1SDA R1				
		N	S	H	L	
Electronic trip unit for motor protection		Icu (480 V)	25 kA	35 kA	65 kA	100 kA
PR221 DS-I	600	061851	061852	061853	061854	

T6 800 – Fixed (F) – 3 Poles – UL Listed

I_n
I_u (40 °C) = 800 A - Front terminals (F)

		1SDA R1				
		N	S	H	L	
Electronic trip unit for motor protection		Icu (480 V)	35 kA	50 kA	65 kA	100 kA
PR221DS-I	600	061656	061703	061704	061705	
PR221DS-I	800	061706	061707	061708	061709	

see "Abbreviation caption" page 7/2

T7 1000 – Fixed (F) – 3 Poles – UL Listed
 I_n (40 °C) = 1000 A - Front terminals (F)

		I _n	1SDA R1		
			S	H	L
Electronic trip unit for motor protection	I_{cu} (480 V)		50 kA	65 kA	100 kA
PR231/P-I	1000		064788	064790	065316

T7 1200 – Fixed (F) – 3 Poles – UL Listed
 I_n (40 °C) = 1200 A - Front terminals (F)

		I _n	1SDA R1		
			S	H	L
Electronic trip unit for motor protection	I_{cu} (480 V)		50 kA	65 kA	100 kA
PR231/P-I	1200		064792	064794	065318

T7M 1000 – Fixed (F) – 3 Poles – UL Listed
 I_n (40 °C) = 1000 A - Front terminals (F)

		I _n	1SDA R1		
			S	H	L
Electronic trip unit for motor protection	I_{cu} (480 V)		50 kA	65 kA	100 kA
PR231/P-I	1000		064789	064791	065317

T7M 1200 – Fixed (F) – 3 Poles – UL Listed
 I_n (40 °C) = 1200 A - Front terminals (F)

		I _n	1SDA R1		
			S	H	L
Electronic trip unit for motor protection	I_{cu} (480 V)		50 kA	65 kA	100 kA
PR231/P-I	1200		064793	064795	065319

see "Abbreviation caption" page 7/2

Ordering codes

Molded case switches

T1N-D 100 – Fixed (F) – UL Listed

I_n (40 °C) = 100 A - Front terminals for copper and aluminium cables (FC CuAl)

	I _n	I _{cw}	1SDA R1	
			3 Poles	4 Poles
			2 kA	2 kA
	160		053555	053556

T1N-D 100 – Fixed (F) – UL Listed

I_n (40 °C) = 100 A - Front terminals for copper cables (FC Cu)

	I _n	I _{cw}	1SDA R1	
			3 Poles	4 Poles
			2 kA	2 kA
	160		061822	061823

T3S-D 150 – Fixed (F) – UL Listed

I_n (40 °C) = 150 A - Front terminals (F)

	I _{cw}	1SDA R1	
		3 Poles	4 Poles
		3.6 kA	3.6 kA
		053597	053598

T3S-D 225 – Fixed (F) – UL Listed

I_n (40 °C) = 225 A - Front terminals (F)

	I _{cw}	1SDA R1	
		3 Poles	4 Poles
		3.6 kA	3.6 kA
		053599	053600

Ts3H-D 150 – Fixed (F) – UL Listed

I_n (40 °C) = 150 A - Front terminals (F)

	I _{cw}	1SDA R1	
		3 Poles	4 Poles
		6.5 kA	6.5 kA
		065392	065393

Ts3H-D 225 – Fixed (F) – UL Listed

I_n (40 °C) = 225 A - Front terminals (F)

	I _{cw}	1SDA R1	
		3 Poles	4 Poles
		6.5 kA	6.5 kA
		065394	065395

see "Abbreviation caption" page 7/2

T4N-D 250 – Fixed (F) – UL Listed
 Iu (40 °C) = 250 A - Front terminals (F)

		1SDA R1		
		3 Poles		
	Icw	3.6 kA		
		064145		

T4S-D 250 – Fixed (F) – UL Listed
 Iu (40 °C) = 250 A - Front terminals (F)

		1SDA R1		
		3 Poles		
	Icw	3.6 kA		
		064146		

T4H-D 250 – Fixed (F) – UL Listed
 Iu (40 °C) = 250 A - Front terminals (F)

		1SDA R1		
		3 Poles	4 Poles	
	Icw	3.6 kA	3.6 kA	
		058525	060123	

T4L-D 250 – Fixed (F) – UL Listed
 Iu (40 °C) = 250 A - Front terminals (F)

		1SDA R1		
		3 Poles		
	Icw	3.6 kA		
		063284		

T4V-D 250 – Fixed (F) – UL Listed
 Iu (40 °C) = 250 A - Front terminals (F)

		1SDA R1		
		3 Poles		
	Icw	3.6 kA		
		063285		

T5N-D 400 – Fixed (F) – UL Listed
 Iu (40 °C) = 400 A - Front terminals (F)

		1SDA R1		
		3 Poles		
	Icw	6 kA		
		064147		

see "Abbreviation caption" page 7/2

Ordering codes

Molded case switches

T5S-D 400 – Fixed (F) – UL Listed
Iu (40 °C) = 400 A - Front terminals (F)

		1SDA R1		
		3 Poles		
	Icw	6 kA		
		064148		

T5H-D 400 – Fixed (F) – UL Listed
Iu (40 °C) = 400 A - Front terminals (F)

		1SDA R1		
		3 Poles	4 Poles	
	Icw	6 kA	6 kA	
		058527	060124	

T5L-D 400 – Fixed (F) – UL Listed
Iu (40 °C) = 400 A - Front terminals (F)

		1SDA R1		
		3 Poles		
	Icw	6 kA		
		063738		

T5V-D 400 – Fixed (F) – UL Listed
Iu (40 °C) = 400 A - Front terminals (F)

		1SDA R1		
		3 Poles		
	Icw	6 kA		
		063739		

T5N-D 600 – Fixed (F) – UL Listed
Iu (40 °C) = 600 A - Front terminals (F)

		1SDA R1		
		3 Poles		
	Icw	6 kA		
		064149		

T5S-D 600 – Fixed (F) – UL Listed
Iu (40 °C) = 600 A - Front terminals (F)

		1SDA R1		
		3 Poles		
	Icw	6 kA		
		064150		

T5H-D 600 – Fixed (F) – UL Listed
 Iu (40 °C) = 600 A - Front terminals (F)

		1SDA R1		
		3 Poles		
	lcw	6 kA		
		061855		

T5L-D 600 – Fixed (F) – UL Listed
 Iu (40 °C) = 600 A - Front terminals (F)

		1SDA R1		
		3 Poles		
	lcw	6 kA		
		063286		

T5V-D 600 – Fixed (F) – UL Listed
 Iu (40 °C) = 600 A - Front terminals (F)

		1SDA R1		
		3 Poles		
	lcw	6 kA		
		063287		

T6H-D 800 – Fixed (F) – UL Listed
 Iu (40 °C) = 800 A - Front terminals (F)

		1SDA R1			
		3 Poles		4 Poles	
	lcw	15 kA		15 kA	
		061724		061776	

T7H-D 1200 – Fixed (F) – UL Listed
 Iu (40 °C) = 1200 A - Front terminals (F)

		1SDA R1			
		3 Poles		4 Poles	
	lcw	20 kA		20 kA	
		064796		064797	

T7M H-D 1200 – Fixed (F) – UL Listed
 Iu (40 °C) = 1200 A - Front terminals (F)

		1SDA R1			
		3 Poles		4 Poles	
	lcw	20 kA		20 kA	
		064798		064799	

see "Abbreviation caption" page 7/2

Ordering codes

Breaking parts

T4 250 – UL Listed

F = Front terminals (F)

	1SDA R1	
	3 Poles	4 Poles
T4N 250 Breaking Part	058511	060119
T4S 250 Breaking Part	058512	
T4H 250 Breaking Part	058513	060120
T4L 250 Breaking Part	058514	
T4V 250 Breaking Part	058515	

T5 400 – UL Listed

F = Front terminals (F)

	1SDA R1	
	3 Poles	4 Poles
T5N 400 Breaking Part	058516	060121
T5S 400 Breaking Part	058517	
T5H 400 Breaking Part	058518	060122
T5L 400 Breaking Part	058519	
T5V 400 Breaking Part	058520	

T5 600 – UL Listed

F = Front terminals (F)

	1SDA R1	
	3 Poles	4 Poles
T5N 600 Breaking Part	061856	
T5S 600 Breaking Part	061857	
T5H 600 Breaking Part	061858	
T5L 600 Breaking Part	061859	
T5V 600 Breaking Part	061860	

T6 800 – UL Listed

F = Front terminals (F)

	1SDA R1	
	3 Poles	4 Poles
T6N 800 Breaking Part	061716	061720
T6S 800 Breaking Part	061717	
T6H 800 Breaking Part	061718	061721
T6L 800 Breaking Part	061719	

see "Abbreviation caption" page 7/2

Ordering codes

Loose trip unit

T4 Trip Unit – UL Listed

			1SDA R1	
			3 Poles	4 Poles
			N=100%	
Thermomagnetic trip unit - TMF, TMD and TMA				
TMF 20-500	20	500	060130	060131
TMD 30-300	30	300	058534	060132
TMD 40-400	40	400	058535	060133
TMD 50-500	50	500	060017	060134
TMA 80-400...800	80	400...800	060018	060135
TMA 100-500...1000	100	500...1000	060019	060136
TMA 125-625...1250	125	625...1250	060020	060137
TMA 150-750...1500	150	750...1500	058536	060138
TMA 200-1000...2000	200	1000...2000	060021	060139
TMA 250-1250...2500	250	1250...2500	060022	060140



			1SDA R1	
			3 Poles	4 Poles
Electronic Trip Unit				
PR221DS-LS/I	100		054603	054615
PR221DS-LS/I	150		055456	060125
PR221DS-LS/I	250		054605	054617
PR222DS/P-LSI	100		054609	054621
PR222DS/P-LSI	150		055457	060126
PR222DS/P-LSI	250		054611	054623
PR222DS/P-LSIG	100		054612	054624
PR222DS/P-LSIG	150		055458	060127
PR222DS/P-LSIG	250		054614	054626
PR222DS/PD-A-LSI	100		060665	060671
PR222DS/PD-A-LSI	150		058532	060128
PR222DS/PD-A-LSI	250		060666	060672
PR222DS/PD-A-LSIG	100		060667	060673
PR222DS/PD-A-LSIG	150		058533	060129
PR222DS/PD-A-LSIG	250		060668	060674


see "Abbreviation caption" page 7/2

Ordering codes



Loose trip unit


T5 Trip Unit – UL Listed

				1SDA R1	
				3 Poles	4 Poles
					N=100%
Thermomagnetic trip unit - TMA					
TMA 300-1500...3000	300	1500...3000		060650	060652
TMA 400-2000...4000	400	2000...4000		060651	060653

			1SDA R1	
			3 Poles	4 Poles
Electronic Trip Unit				
PR221DS-LS/I	300		058541	060141
PR221DS-LS/I	400		054692	054700
PR221DS-LS/I	600		061861	
PR222DS/P-LSI	300		058542	058544
PR222DS/P-LSI	400		054696	054704
PR222DS/P-LSI	600		061862	
PR222DS/P-LSIG	300		058543	060142
PR222DS/P-LSIG	400		054698	054706
PR222DS/P-LSIG	600		061863	
PR222DS/PD-A-LSI	300		058545	060143
PR222DS/PD-A-LSI	400		060669	060675
PR222DS/PD-A-LSI	600		061864	
PR222DS/PD-A-LSIG	300		058546	060144
PR222DS/PD-A-LSIG	400		060670	060676
PR222DS/PD-A-LSIG	600		061865	

T6 Trip Unit – UL Listed

				1SDA R1	
				3 Poles	4 Poles
					N=100%
Thermomagnetic trip unit - TMA					
TMA 600-3000...6000	600	3000...6000		061726	061727
TMA 800-4000...8000	800	4000...8000		061728	061729

			1SDA R1	
			3 Poles	4 Poles
Electronic Trip Unit				
PR221DS-LS/I	600		061730	061736
PR221DS-LS/I	800		060363	060369
PR221DS-I	600		061731	
PR221DS-I	800		060364	060370
PR222DS/P-LSI	600		061732	061737
PR222DS/P-LSI	800		060365	060371
PR222DS/P-LSIG	600		061733	061738
PR222DS/P-LSIG	800		060366	060372
PR222DS/PD-A-LSI	600		061734	061739
PR222DS/PD-A-LSI	800		061741	061743
PR222DS/PD-A-LSIG	600		061735	061740
PR222DS/PD-A-LSIG	800		061742	061744

see "Abbreviation caption" page 7/2

T7 - T7M Trip Unit – UL Listed

<i>Electronic Trip Unit</i>	1SDA R1	
	3 Poles	4 Poles
PR231/P-LS/I T7-T7M	063128	064179
PR231/P-I T7-T7M	063129	064180
PR232/P-LSI T7-T7M	063130	
PR331/P-LSIG T7-T7M	063133	
PR332/P-LI T7-T7M	063134	
PR332/P-LSI T7-T7M	063135	
PR332/P-LSIG T7-T7M	063136	
PR332/P-LSIRc T7	063137	
PR332/P-LSIRc T7M	064190	

Note: The single trip unit for T7- T7M are provided without any Rating Plug. For T7 - T7M in a draw out version, the sliding blocks for the fixed and moving part are necessary.

see "Abbreviation caption" page 7/2

Ordering codes

Cradles conversion kit and accessories for cradles



Plug-in (P) – Cradle

F = Front terminals

	1SDA..... R1	
	3 Poles	4 Poles
T2 P FP F	051329 ⁽¹⁾	051330 ⁽¹⁾
T3 P FP F	051331 ⁽¹⁾	051332 ⁽¹⁾

⁽¹⁾ UL Listed

EF = Front extended terminals

	1SDA..... R1	
	3 Poles	4 Poles
Ts3 P FP EF	013539	013548
T4 P FP EF	054737 ⁽¹⁾	054740 ⁽¹⁾
T5 400 P FP EF	054749 ⁽¹⁾	054752 ⁽¹⁾
T5 600 P FP EF	054762 ⁽¹⁾	054765

⁽¹⁾ UL Listed

VR = Rear flat vertical terminals

	1SDA..... R1	
	3 Poles	4 Poles
T4 P FP VR	054738 ⁽¹⁾	054741 ⁽¹⁾
T5 400 P FP VR	054750 ⁽¹⁾	054753 ⁽¹⁾
T5 600 P FP VR	054763 ⁽¹⁾	054766

⁽¹⁾ UL Listed

HR = Rear flat horizontal terminals

	1SDA..... R1	
	3 Poles	4 Poles
T4 P FP HR	054739 ⁽¹⁾	054742 ⁽¹⁾
T5 400 P FP HR	054751 ⁽¹⁾	054754 ⁽¹⁾
T5 600 P FP HR	054764 ⁽¹⁾	054767

⁽¹⁾ UL Listed

FC = Front terminals for copper cables

	1SDA..... R1	
	3 Poles	4 Poles
Ts3 P FP FC	013543	013550

R = Threaded rear terminals

	1SDA..... R1	
	3 Poles	4 Poles
Ts3 P FP R	013547	013554

see "Abbreviation caption" page 7/2



1SDC210198F004

Draw out (W) – Cradle

EF = Front extended terminals

	1SDA..... R1	
	3 Poles	4 Poles
Ts3 W FP EF	013555	013564
T4 W FP EF	054743 ⁽¹⁾	054746 ⁽¹⁾
T5 400 W FP EF	054755 ⁽¹⁾	054758 ⁽¹⁾
T5 600 W FP EF	054768 ⁽¹⁾	054771
T6 600/800 W FP EF	060384 ⁽¹⁾	060387 ⁽¹⁾
T7-T7M W FP EF	062045	062049

⁽¹⁾ UL Listed

VR = Rear flat vertical terminals

	1SDA..... R1	
	3 Poles	4 Poles
T4 W FP VR	054744 ⁽¹⁾	054747 ⁽¹⁾
T5 400 W FP VR	054756 ⁽¹⁾	054759 ⁽¹⁾
T5 600 W FP VR	054769 ⁽¹⁾	054772
T6 600/800 W FP VR	060386 ⁽¹⁾	060389 ⁽¹⁾

⁽¹⁾ UL Listed

HR = Rear flat horizontal terminals

	1SDA..... R1	
	3 Poles	4 Poles
T4 W FP HR	054745 ⁽¹⁾	054748 ⁽¹⁾
T5 400 W FP HR	054757 ⁽¹⁾	054761 ⁽¹⁾
T5 600 W FP HR	054770 ⁽¹⁾	054774
T6 600/800 W FP HR	060385 ⁽¹⁾	060388 ⁽¹⁾

⁽¹⁾ UL Listed

see "Abbreviation caption" page 7/2

Ordering codes

Cradles conversion kit and accessories for cradles



HR/VR = Rear flat terminals

	1SDA.....R1	
	3 Poles	4 Poles
T7-T7M W FP HR	062044	062048

Nota: Cradles of T7-T7M circuit breaker with rear terminals are supplied as standard with terminals mounted horizontally. To order the terminals mounted vertically, the extra code 1SDA063571R1 must be specified.

HR/EF = Upper terminals/bottom terminals

	1SDA.....R1	
	3 Poles	4 Poles
T7-T7M W FP	062046	062050

EF/HR = Upper terminals/bottom terminals

	1SDA.....R1	
	3 Poles	4 Poles
T7-T7M W FP	062047	062051

FC = Front terminals for copper cables

	1SDA.....R1	
	3 Poles	4 Poles
Ts3 W FP FC	013559	013568

R = Rear terminals

	1SDA.....R1	
	3 Poles	4 Poles
Ts3 W FP R	013563	013572

see "Abbreviation caption" page 7/2



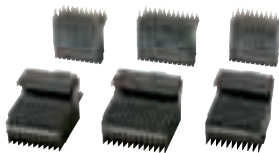
1SDC21090F004



1SDC21020F004



1SDC210N70F001



1SDC210N71F001

Conversion of the version

Conversion kit from fixed into moving part of plug-in T2...T5

Type	1SDA..... R1	
	3 Poles	4 Poles
Kit P MP Ts3	013608	013609
Kit P MP T2	051411 ⁽¹⁾	051412 ⁽¹⁾
Kit P MP T3	051413 ⁽¹⁾	051414 ⁽¹⁾
Kit P MP T4	054839 ⁽¹⁾	054840 ⁽¹⁾
Kit P MP T5 400	054843 ⁽¹⁾	054844 ⁽¹⁾
Kit P MP T5 600	054847 ⁽¹⁾	054848

Note: The plug-in version must be composed as follows
a) Fixed circuit breaker
b) Conversion kit from fixed into moving part of plug-in
c) Cradle of plug-in

⁽¹⁾ UL Listed

Conversion kit from cradle into moving part of draw out Ts3...T7

Type	1SDA..... R1	
	3 Poles	4 Poles
Kit W MP Ts3	013610	013611
Kit W MP T4	054841 ⁽¹⁾	054842 ⁽¹⁾
Kit W MP T5 400	054845 ⁽¹⁾	054846 ⁽¹⁾
Kit W MP T5 600	054849 ⁽¹⁾	054850
Kit W MP T6 800	060390 ⁽¹⁾	060391 ⁽¹⁾
Kit W MP T7-T7M	062162 ⁽¹⁾	062163 ⁽¹⁾

Note: The draw out version must be composed as follows
a) Fixed circuit breaker
b) Conversion kit from fixed into moving part of draw out
c) Cradle of draw out
d) Front for lever operating mechanism or rotary handle or motor operator (only T4, T5 and T6)
e) Sliding contacts blocks if the circuit breaker is automatic or fitted with electrical accessories (only for T7)

⁽¹⁾ UL Listed

Sliding contacts blocks for T7

Type	1SDA.....R1
Lef block - MP T7 - T7M	062164 ⁽¹⁾
Central block - MP T7 - T7M	062165 ⁽¹⁾
Right block - MP T7 - T7M	062166 ⁽¹⁾
Left block - FP T7	063572 ⁽¹⁾
Left block - FP T7M	062167 ⁽¹⁾
Central block - FP T7 - T7M	062168 ⁽¹⁾
Right block - FP T7 - T7M	062169 ⁽¹⁾

Note: Moving part of a circuit breaker fitted with electronic accessories or PR331/P and PR332/P electronic trip units is supplied as standard with blocks for the connection, while blocks for cradle must always be ordered.

⁽¹⁾ UL Listed

see "Abbreviation caption" page 7/2

Ordering codes

Cradles conversion kit and accessories for cradles

Conversion kit from fixed into plug-in for RC222 and RC223

Type	1SDA.....R1	
	4 Poles	
Kit P MP RC T4	054851	
Kit P MP RC T5 400	054852	
Kit P MP RC T5 600	054853	

Conversion kit from plug-in into draw out for RC222 and RC223

Type	1SDA.....R1	
	4 Poles	
Kit W MP RC T4-T5	055366	

Conversion kit from cradle of plug-in into cradle of draw out

Type	1SDA.....R1	
Kit FP P in FP W Ts3	013692	
Kit FP P in FP W T4	054854 ⁽¹⁾	
Kit FP P in FP W T5	054855 ⁽¹⁾	

⁽¹⁾ UL Listed

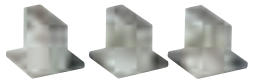
Terminals for cradles Ts3...T7

Type	1SDA.....R1	
	3 pieces	4 pieces
Front extended terminals - EF		
EF Ts3	013650	013651
EF T6	013984	013985
EF T7-T7M	062171	062172
Front extended spread terminals - ES		
ES T5 (600 A)	055271	055272
ES T7-T7M	065620	065621
Front terminals for copper cables - FC Cu		
FC Cu Ts3 1x185mm ²	013652	013653
FC Cu T4 1x185mm ²	054831	054832
FC Cu T5 1x240mm ²	054833	054834
Front terminals for copper-aluminium cables - FC CuAl		
FC CuAl T4 1x185mm ²	054835	054836
FC CuAl T5 1x240mm ²	054837	054838
Rear terminals - R		
R Ts3	013654	013655
Rear flat vertical terminals - VR		
VR T6	013988	013989
Rear flat horizontal terminals - HR		
HR T6	013986	013987
Rear flat terminals - HR/VR		
HR/VR T7-T7M	063089	063090
Rear spread terminals - RS		
RS T7-T7M	063577	063578

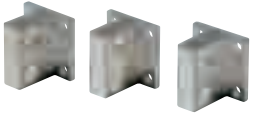
Note: The FC Cu and FC CuAl terminals are supplied with insulating terminal covers for TC-FP cradles.



1SDC210N72F001



1SDC210N73F001



1SDC210N74F001

see "Abbreviation caption" page 7/2

Lock for cradle of draw out circuit breaker

Type	1SDA.....R1	
	Ts3	T4-T5-T6
KLF-D FP - Different key for each circuit breaker	025434	055230
KLF-S FP - Same key for different groups of circuit breakers	025435	055231
PLL FP - Lock padlocks	013872	055232
KLF-D Ronis FP - Lock type Ronis	043514	055233

Terminal covers for cradle – TC-FP

Type	1SDA.....R1	
	3 Poles	4 Poles
TC-FP Ts3	013697 ⁽¹⁾	013698 ⁽¹⁾
TC-FP T4	054857	054858
TC-FP T5	054859	054861

⁽¹⁾ UL Listed

see "Abbreviation caption" page 7/2

Ordering codes

Accessories



T4 - T5 - T6

1SDC210204F0004



T7

1SDC210N76F0001

Service releases

Shunt trip – SOR

Type	1SDA.....R1				
	T1-T2-T3	Ts3	T4-T5-T6	T7-T7M	
uncabled version					
SOR 12 V DC	053000	023403 ⁽²⁾	054862		
SOR 24 V AC / DC		013781 ⁽²⁾		062065 ⁽²⁾	
SOR 24...30 V AC / DC	051333		054863		
SOR 30 V AC / DC				062066 ⁽²⁾	
SOR 48 V AC / DC		013782 ⁽²⁾		062067 ⁽²⁾	
SOR 48...60 V AC / DC	051334		054864		
SOR 60 V AC / DC				062068 ⁽²⁾	
SOR 60 V AC / 60...72 V DC		023405			
SOR 110...120 V AC / DC				062069 ⁽²⁾	
SOR 110...120 V AC - 110...125 V DC		013783 ⁽²⁾			
SOR 110...127 V AC - 110...125 V DC	051335		054865		
SOR 120...127 V AC / DC				063547 ⁽²⁾	
SOR 220...240 V AC / DC				063548 ⁽²⁾	
SOR 220...240 V AC - 220...250 V DC	051336	013785 ⁽²⁾	054866		
SOR 240...250 V AC / DC				062070 ⁽²⁾	
SOR 380...400 V AC		013786		062071 ⁽²⁾	
SOR 380...440 V AC	051337		054867		
SOR 415...440 V AC				062072 ⁽²⁾	
SOR 480 V AC		037512			
SOR 480...500 V AC	051338		054868		
cabled version⁽¹⁾					
SOR-C 12 V DC	054157 ⁽²⁾		054869 ⁽²⁾		
SOR-C 24...30 V AC / DC	053679 ⁽²⁾		054870 ⁽²⁾		
SOR-C 48...60 V AC / DC	053680 ⁽²⁾		054871 ⁽²⁾		
SOR-C 110...127 V AC - 110...125 V DC	053681 ⁽²⁾		054872 ⁽²⁾		
SOR-C 220...240 V AC - 220...250 V DC	053682 ⁽²⁾		054873 ⁽²⁾		
SOR-C 380...440 V AC	053683 ⁽²⁾		054874 ⁽²⁾		
SOR-C 480...500 V AC	053684 ⁽²⁾		054875 ⁽²⁾		

Note: For T7-T7M in draw out version, sliding contact blocks for cradle and moving part are necessary. See page 3/4 and 7/33.

⁽¹⁾ Compulsory with T4-T5-T6 in the draw out or motorized versions

⁽²⁾ UL Listed

SOR Test Unit

Type	1SDA.....R1
T7-T7M	050228



1SDC210P07F0001



1SDC210N75F0001

Closing coil – SCR

Type	1SDA.....R1	
	T7M	
cabled version		
SCR 24 V AC / DC	062076 ⁽¹⁾	
SCR 30 V AC / DC	062077 ⁽¹⁾	
SCR 48 V AC / DC	062078 ⁽¹⁾	
SCR 60 V AC / DC	062079 ⁽¹⁾	
SCR 110...120 V AC / DC	062080 ⁽¹⁾	
SCR 120...127 V AC / DC	063549 ⁽¹⁾	
SCR 220...240 V AC / DC	063550 ⁽¹⁾	
SCR 240...250 V AC / DC	062081 ⁽¹⁾	
SCR 380...400 V AC	062082 ⁽¹⁾	
SCR 415...440 V AC	062083 ⁽¹⁾	

Note: For T7-T7M in draw out version, sliding contact blocks for cradle and moving part are necessary. See page 3/4 and 7/33.

⁽¹⁾ UL Listed



1SDC210204F0004

T4 - T5 - T6

Undervoltage release – UVR

Type	1SDA.....R1				
	T1-T2-T3	Ts3	T4-T5-T6	T7-T7M	
uncabled version					
UVR 24 V AC		13842 ⁽²⁾			
UVR 24 V DC		13833 ⁽²⁾			
UVR 24 V AC/DC					062087 ⁽²⁾
UVR 24...30 V AC/DC	051345		054880		
UVR 30 V AC/DC					062088 ⁽²⁾
UVR 48 V AC		13843 ⁽²⁾			
UVR 48 V DC		13835 ⁽²⁾			
UVR 48 V AC/DC	051346		054881		062089 ⁽²⁾
UVR 60 V AC		23346			
UVR 60 V DC		13836			
UVR 60 V AC/DC	052333		054882		062090 ⁽²⁾
UVR 110...120 V AC/DC					062091 ⁽²⁾
UVR 110...125 V DC		13838 ⁽²⁾			
UVR 110...127 V AC		13844 ⁽²⁾			
UVR 110...127 V AC-110...125 V DC	051347		054883		
UVR 120...127 V AC/DC					063551 ⁽²⁾
UVR 220...240 V AC/DC					063552 ⁽²⁾
UVR 220...250 V AC		13846 ⁽²⁾			
UVR 220...250 V DC		13839 ⁽²⁾			
UVR 220...240 V AC-220...250 V DC	051348		054884		
UVR 240...250 V AC/DC					062092 ⁽²⁾
UVR 380...400 V AC					062093 ⁽²⁾
UVR 380...440 V AC	051349	13847 ⁽²⁾	054885		
UVR 415...440 V AC					062094 ⁽²⁾
UVR 480 V AC		37513 ⁽²⁾			
UVR 480...525 V AC	051350		054886		
cabled version⁽¹⁾					
UVR-C 24...30 V AC / DC	053685 ⁽²⁾		054887 ⁽²⁾		
UVR-C 48 V AC / DC	053686 ⁽²⁾		054888 ⁽²⁾		
UVR-C 60 V AC/DC	053687 ⁽²⁾		054889 ⁽²⁾		
UVR-C 110...127 V AC - 110...125 V DC	053688 ⁽²⁾		054890 ⁽²⁾		
UVR-C 220...240 V AC - 220...250 V DC	053689 ⁽²⁾		054891 ⁽²⁾		
UVR-C 380...440 V AC	053690 ⁽²⁾		054892 ⁽²⁾		
UVR-C 480...500 V AC	053691 ⁽²⁾		054893 ⁽²⁾		

Note: For T7-T7M in draw out version, sliding contact blocks for cradle and moving part are necessary. See page 3/4 and 7/33.

⁽¹⁾ Compulsory with T4-T5-T6 in the draw out or motorized versions

⁽²⁾ UL Listed

see "Abbreviation caption" page 7/2

Ordering codes

Accessories

Shunt trip with permanent operation – PS-SOR

Type	1SDA.....R1	
	Ts3	T4-T5-T6
uncabled version		
PS-SOR 24 V AC/DC		054876
PS-SOR 110...120 V AC		054877
cabled version		
PS-SOR-C 24 V AC/DC	052973 ⁽¹⁾	054878 ⁽¹⁾
PS-SOR-C 110...120 V AC	052974 ⁽¹⁾	054879 ⁽¹⁾

⁽¹⁾ UL Listed

Connectors and socket-plugs for electrical accessories

Type	1SDA.....R1	
	T1-T2-T3	T4-T5-T6
Socket-plug 12 poles	051362	051362
Socket-plug 6 poles	051363	051363
Socket-plug 3 poles	051364	051364
3-way connector for second SOR-C		055273

Connectors for duty release

Type	1SDA.....R1	
	Ts3	
For fixed circuit breakers - L=1m	013865	
For fixed circuit breakers - L=2m	037523	
For plug-in or draw out circuit breakers - L=1m	013866	
Extension for testing auxiliary circuits with the circuit breaker racked out	025552	
PIN connector for Ts3 - UVR	037516 ⁽¹⁾	
Sideburn for connecting YO/YU fixed	055144 ⁽¹⁾	

⁽¹⁾ UL Listed

Loose cables

Type	1SDA.....R1	
	T1-T2-T3	
Kit 12 cables L=2m for AUX	051365	
Kit 6 cables L=2m for AUX	051366	
Kit 2 cables L=2m for SOR-UVR	051367	

Time delay device for undervoltage release – UVD

Type	1SDA.....R1		
	T1...T6	Ts3	T7-T7M
UVD 24...30 V AC / DC	051357		038316
UVD 48 V AC / DC			038317
UVD 48...60 V AC / DC	051358		
UVD 60 V AC / DC			038318
UVD 110...125 V AC / DC	051360		038319
UVD 110...220 V AC		013840	
UVD 220...250 V AC / DC	051361		038320

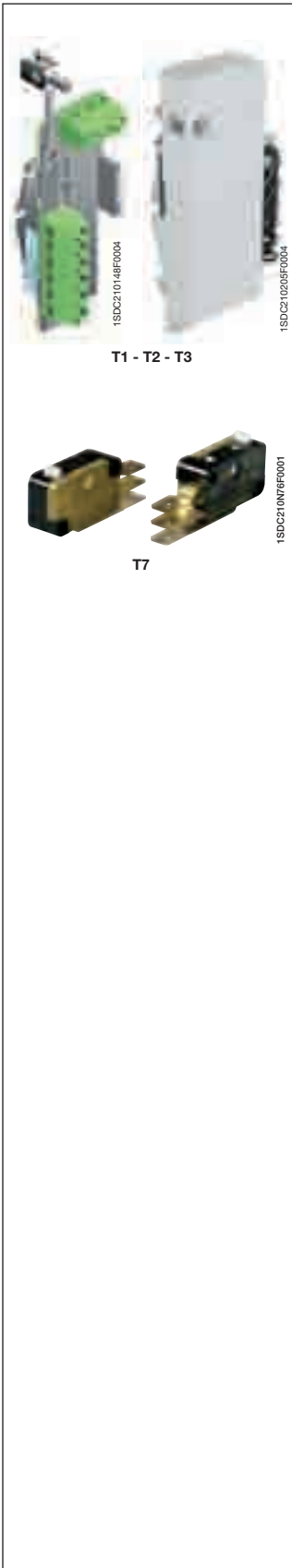


1SDC210540F003



1SDC210147F004

see "Abbreviation caption" page 7/2



Electrical signals

Auxiliary contacts – AUX

Type	1SDA.....R1					
	T1-T2-T3	Ts3	T4-T5-T6	T7	T7M	
uncabled version⁽¹⁾						
AUX 1Q 1SY 250 V AC/DC	051368		051368			
AUX 3Q 1SY 250 V AC/DC	051369		051369			
AUX 1Q 1SY 400 V AC				062104 ⁽⁵⁾		
AUX 2Q 400 V AC				062102 ⁽⁵⁾	062102 ⁽⁵⁾	
AUX 1Q 1SY 24 V DC				062103 ⁽⁵⁾		
AUX 3Q 1SY 24 V DC	054914		054914			
AUX 2Q 24 V DC				062101 ⁽⁵⁾	062101 ⁽⁵⁾	
cabled version⁽¹⁾ with 1 m long cables						
AUX-C 1Q 1SY 250 V AC/DC	051370 ⁽⁵⁾	013575 ⁽⁵⁾	054910 ⁽⁵⁾			
AUX-C 2Q 250 V AC/DC		013856 ⁽⁵⁾				
AUX-C 3Q 1SY 250 V AC/DC	051371 ⁽⁵⁾		054911 ⁽⁵⁾			
AUX-C 1Q 1SY 400 V AC			054912 ⁽⁵⁾			
AUX-C 2Q 24 V DC		025544				
AUX-C 1Q + 1SY 24 V DC		025545				
AUX-C 2Q 400 V AC			054913 ⁽⁵⁾			
AUX-C 3Q 1SY 24 V DC	055361		054915			
cabled version with 2 m long cable						
AUX-C 3Q 1SY 250 V AC/DC	063763					
cabled version for T2 with PR221 DS trip unit						
AUX-C 1 S51 1Q SY	053704					
AUX-C 2Q 1SY	055504					
cabled contact for signalling trip coil release trip						
AUX-SA 1 S51 T4-T5			055050			
AUX-SA 1 S51 T6 ⁽²⁾			060393			
AUX-SA 1 S51 T7-T7M				062105	063553	
cabled contact for signalling manual/remote operation						
AUX-MO-C ⁽³⁾			054917			
cabled contact circuit breaker ready to close						
AUX-RTC 24V DC						062108
AUX-RTC 250V AC/DC						062109
cabled contact signalling spring charged						
AUX-MC 24V DC						062106
AUX-MC 250V AC/DC						062107
cabled contacts in electronic version						
AUX-E-C 1Q 1SY T4-T5 ⁽⁴⁾			054916			
AUX-E-C 1Q 1SY T6 ⁽⁴⁾			064161			

Note: For T7-T7M in draw out version, sliding contact blocks for cradle and moving part are necessary. See page 3/4 and 7/33.

- Q = Bell alarm
- SY = Form C

⁽¹⁾ These cannot be combined with T2 circuit breaker fitted with PR221DS electronic trip unit.

⁽²⁾ Available only mounted on the circuit breaker.

⁽³⁾ For T4, T5 and T6 in plug-in/draw out version, it is necessary to order a socket plug connector 3 poles 1SDA051364R1.

⁽⁴⁾ Only with circuit breakers equipped with PR222DS/PD-A.

⁽⁵⁾ UL Listed.

Ordering codes

Accessories



1SDC210152F004



1SDC210M77F001



1SDC210206F004



1SDC210543F003

Auxiliary position contacts – AUP

Type	1SDA.....R1			
	T2-T3	Ts3	T4-T5-T6	T7-T7M
AUP T2-T3 - 1 contact signalling circuit breakers racked-in	051372			
AUP-I T4-T5 24 V DC - 1 contact signalling circuit breakers racked-in			054920	
AUP-I T4-T5 400 V AC/DC - 1 contact for signalling circuit breakers racked-in			054918	
AUP-R T4-T5 24 V DC - 1 contact for signalling circuit breakers racked-out			054921	
AUP-R T4-T5 400 V AC/DC - 1 contact for signalling circuit breakers racked-out			054919	
AUP T7-T7M 24 V DC				062110 ⁽¹⁾
AUP T7-T7M 250 V AC				062111 ⁽¹⁾
AUP Ts3 - contacts for signalling circuit breaker racked-out		013859		
AUP Ts3 - contacts for signalling circuit breaker racked-out digital signals		025546		
AUP Ts3 - contacts for signalling circuit breaker racked-out		013860		
AUP Ts3 - contacts for signalling circuit breaker racked-out digital signals		025547		

Note: For T4-T5-T6 in draw out version, contacts signaling circuit breaker racked-in. For T4-T5-T6 in plug-in version, contacts signaling circuit breaker racked-in/racked-out.

⁽¹⁾ UL Listed

Early auxiliary contacts – AUE

Type	1SDA.....R1				
	T1-T2-T3	Ts3	T4-T5	T6	T7
AUE - early contacts	051374	025551	054925	060394	062112

Note: On the T7, the anticipated auxiliary contacts (AUE) can only be ordered already installed on the circuit breaker.
For T7 in draw out version, sliding contact blocks for cradle and moving part are necessary. See page 3/4 and 7/33.

Connectors for auxiliary contacts

Type	1SDA.....R1	
	Ts3	
For fixed circuit breakers - L=1m	013863	
For fixed circuit breakers - L=2m	037522	
For plug-in or draw out circuit breakers - L=1m	013864	
Extension for testing auxiliary circuits with the circuit breaker racked out - auxiliary contacts	025553	
PIN connector for Ts3 - UVR	037517 ⁽¹⁾	
Sideburn for connecting AUX fixed	055143 ⁽¹⁾	

⁽¹⁾ UL Listed

Adapters – ADP

Type	1SDA.....R1	
	T4-T5-T6	
ADP - Adapters 5pin	055173	
ADP - Adapters 6pin	054922	
ADP - Adapters 12pin	054923	
ADP - Adapters 10pin	054924	

see "Abbreviation caption" page 7/2



1SDC21025F0004



1SDC210N78F0001



1SDC21UN79F0001



1SDC210154F0004



1SDC210155F0004

Testing extension

Type	1SDA.....R1	
	T4-T5-T6	
5pin checking extension for blank tests on T4-T5-T6 P/W service releases	055351	
6pin checking extension for blank tests on T4-T5-T6 P/W auxiliary contacts (1+1) service and residual current releases	055063	
12pin checking extension for blank tests on T4-T5-T6 P/W auxiliary contacts (3+1)	055064	
5pin checking extension for blank tests on T4-T5-T6 P/W motor operator and early contacts	055065	

Trip reset

Type	1SDA.....R1	
	T7M	
Trip reset 24-30 V AC/DC	063554	
Trip reset 110-130 V AC/DC	062118	
Trip reset 200-240 V AC/DC	062119	

Note: For T7-T7M in draw out version, sliding contact blocks for cradle and moving part are necessary. See page 3/4 and 7/33.

Mechanical signals

Mechanical operation counter

Type	1SDA.....R1	
	T7M	
Mechanical operation counter	062160	

Motor operator

Solenoid operator – MOS

Type	1SDA.....R1	
	T1-T2-T3	
MOS 5 cables, superimposed 48...60 V DC	059596 ⁽¹⁾	
MOS 5 cables, superimposed 110...250 V AC/DC	059597 ⁽¹⁾	
MOS 5 cables T1-T2, side-by-side, 48...60 V DC	059598 ⁽¹⁾	
MOS 5 cables T1-T2, side-by-side, 110...250 V AC/DC	059599 ⁽¹⁾	

Note: It is always fitted with socket plug connector

⁽¹⁾ UL Listed

see "Abbreviation caption" page 7/2

Ordering codes

Accessories



1SDC210547F0003

Direct action motor operating mechanism

Type	1SDA.....R1	
	Ts3	
24 V DC	013873 ⁽¹⁾	
46...60 V DC	013874 ⁽¹⁾	
100...127 V AC - 100...125 V DC	013875 ⁽¹⁾	
220...240 V AC - 220...250 V DC	013876 ⁽¹⁾	
380 V AC	013877	
440 V AC	014545	

⁽¹⁾ UL Listed



1SDC210559F0003

Connectors for motor operating mechanism and auxiliary contacts

Type	1SDA.....R1	
	Ts3	
For fixed circuit breakers - L=1m	013857	
For fixed circuit breakers - L=2m	037524	
For plug-in or draw out circuit breakers - L=1m	013858	
Extension for testing auxiliary circuits with the circuit breaker racked out	025554	
Motor operator and auxiliary switch PIN connectors for Ts3	037518 ⁽¹⁾	

⁽¹⁾ UL Listed



1SDC210207F0004

Stored energy motor operator – MOE

Type	1SDA.....R1		
	T4-T5		T6
MOE 24 V DC	054894 ⁽¹⁾		060395 ⁽¹⁾
MOE 48...60 V DC	054895 ⁽¹⁾		060396 ⁽¹⁾
MOE 110...125 V AC/DC	054896 ⁽¹⁾		060397 ⁽¹⁾
MOE 220...250 V AC/DC	054897 ⁽¹⁾		060398 ⁽¹⁾
MOE 380 V AC	054898 ⁽¹⁾		060399 ⁽¹⁾

⁽¹⁾ UL Listed

Stored energy motor operator with electronics – MOE-E

Type	1SDA.....R1		
	T4-T5		T6
MOE-E 24 V DC	054899		060400
MOE-E 48...60 V DC	054900		060401
MOE-E 110...125 V AC/DC	054901		060402
MOE-E 220...250 V AC/DC	054902		060403
MOE-E 380 V AC	054903		060404

Note: Always supplied complete with the AUX-E-C electronic auxiliary contact.

Spring charging motor

Type	1SDA.....R1	
	T7M	
Spring charging motor 24...30 V AC/DC	062113 ⁽¹⁾	
Spring charging motor 48...60 V AC/DC	062114 ⁽¹⁾	
Spring charging motor 100...130 V AC/DC	062115 ⁽¹⁾	
Spring charging motor 220...250 V AC/DC	062116 ⁽¹⁾	
Spring charging motor 380...415 V AC	062117 ⁽¹⁾	

Note: For T7-T7M in draw out version, sliding contact blocks for cradle and moving part are necessary. See page 3/4 and 7/33.

⁽¹⁾ UL Listed



1SDC20558F0001

see "Abbreviation caption" page 7/2

Rotary handle operating mechanism

Direct – RHD

Type	1SDA.....R1				
	T1-T2-T3	Ts3	T4-T5	T6	T7
RHD normal for fixed and plug-in	051381 ⁽¹⁾	013867	054926 ⁽¹⁾	060405 ⁽¹⁾	062120 ⁽¹⁾
RHD_EM emergency for fixed and plug-in	051382 ⁽¹⁾	013870	054927 ⁽¹⁾	060406 ⁽¹⁾	062121 ⁽¹⁾
RHD normal for draw out		013868	054928 ⁽¹⁾	060407 ⁽¹⁾	062120 ⁽¹⁾
RHD_EM di emergency for draw out			055234 ⁽¹⁾	060408 ⁽¹⁾	062121 ⁽¹⁾

⁽¹⁾ UL Listed

Transmitted – RHE

Type	1SDA.....R1				
	T1-T2-T3	Ts3	T4-T5	T6	T7
RHE normal for fixed and plug-in	051383 ⁽¹⁾	013869	054929 ⁽¹⁾	060409 ⁽¹⁾	062122 ⁽¹⁾
RHE_EM emergency for fixed and plug-in	051384 ⁽¹⁾	013871	054930 ⁽¹⁾	060410 ⁽¹⁾	062123 ⁽¹⁾
RHE normal for draw out		050714	054933 ⁽¹⁾	060411 ⁽¹⁾	062122 ⁽¹⁾
RHE_EM di emergency for draw out			054934 ⁽¹⁾	060412 ⁽¹⁾	062123 ⁽¹⁾
Individual components					
RHE_B just base for RHE for fixed and plug-in	051385 ⁽¹⁾		054931 ⁽¹⁾	060413 ⁽¹⁾	062124 ⁽¹⁾
RHE_B just base for RHE draw out			054935 ⁽¹⁾	060414 ⁽¹⁾	062124 ⁽¹⁾
RHE_S just rod 19.68" (500 mm) for RHE	051386 ⁽¹⁾	025427	054932 ⁽¹⁾	054932 ⁽¹⁾	064104 ⁽¹⁾
RHE_H just handle for RHE	051387 ⁽¹⁾		054936 ⁽¹⁾	060415 ⁽¹⁾	062125 ⁽¹⁾
RHE_H_EM just emergency handle for RHE	051388 ⁽¹⁾		054937 ⁽¹⁾	060416 ⁽¹⁾	062126 ⁽¹⁾

⁽¹⁾ UL Listed

IP54 protection for rotary handle

Type	1SDA.....R1			
	T1-T2-T3	Ts3	T4-T5-T6	T7
RHE_IP54 protection kit IP54	051392	013891	054938 ⁽¹⁾	054938 ⁽¹⁾

⁽¹⁾ UL Listed



see "Abbreviation caption" page 7/2

Ordering codes

Accessories

Operating mechanism and locks

Padlock lever lock – PLL

Type	1SDA.....R1		
	T1-T2-T3	T7	T7M
PLL - plug-in in open position	051393		
PLL for T1 1p - plug-in in open position	060199		
PLL - plate in open/closed position	051394 ⁽¹⁾		
PLL - plate in open position	060534		
PLL - padlock in open position		062150 ⁽¹⁾	062151 ⁽¹⁾

Note: On T7, the padlock is an alternative to the key lock

⁽¹⁾ UL Listed

“Ronis” key lock in open position on the circuit breaker – KLC⁽¹⁾

Type	1SDA.....R1	
	T1-T2-T3	
standard version		
KLC same key - T1	053528	
KLC same key - T2	053529	
KLC same key - T3	053530	
version with key removable in both positions		
KLC-S same key - T1	051395	
KLC-S same key - T2	052015	
KLC-S same key - T3	052016	

⁽¹⁾ It cannot be mounted when there is a front operating mechanism, a rotary handle operating mechanism, motor operator or RC221/RC222 residual current device and, only in the case of three pole circuit breakers, with the service releases (UVR, SOR).

Key lock in open position on the circuit breaker – KLC

Type	1SDA.....R1	
	T7	T7M
KLC-D - different key	062134 ⁽¹⁾	062141 ⁽¹⁾
KLC-S - same key for different groups of circuit breakers (N. 20005)	062135 ⁽¹⁾	062142 ⁽¹⁾
KLC-S - same key for different groups of circuit breakers (N. 20006)	062136 ⁽¹⁾	062143 ⁽¹⁾
KLC-S - same key for different groups of circuit breakers (N. 20007)	062137 ⁽¹⁾	062144 ⁽¹⁾
KLC-S - same key for different groups of circuit breakers (N. 20008)	062138 ⁽¹⁾	062145 ⁽¹⁾
KLC-R - arrangement for Ronis key lock	062139	062146
KLC-P - arrangement for Profalux key lock	062140	062146

⁽¹⁾ UL Listed

Key lock for rotary handle – RHL

Type	1SDA.....R1	
	T1-T2-T3	Ts3
RHL - different keys for each circuit breaker/in open position	051389	013881
RHL - same key for different groups of circuit breakers (N. 20005)	051390	
RHL - same key for different groups of circuit breakers (N. 20006)	060147	
RHL - same key for different groups of circuit breakers (N. 20007)	060148	
RHL - same key for different groups of circuit breakers (N. 20008)	060149	
RHL - different keys for each circuit breaker/in open-closed position	052021	

see "Abbreviation caption" page 7/2

Key lock for front/rotary handle – KLF

Type	1SDA.....R1			
	Ts3	T4-T5	T6	T7
KLF-D - different key		054939	060658	063555
KLF-S - same key for different groups of circuit breakers (N. 20005)		054940	060659	063556
KLF-S - same key for different groups of circuit breakers (N. 20006)		054941	060660	063557
KLF-S - same key for different groups of circuit breakers (N. 20007)		054942	060661	063558
KLF-S - same key for different groups of circuit breakers (N. 20008)		054943	060662	063559
KLF-S - arrangement for Ronis key lock				063560
KLF-S - arrangement for Profalux key lock				063561
For front flanges - rotary handle	013882			

Key lock for motor operator – MOL

Type	1SDA.....R1		
	Ts3	T4-T5	T6
MOL-D different key	013883	054904	060611
MOL-S - same key for different groups of circuit breakers (N. 20005)		054905	060612
MOL-S - same key for different groups of circuit breakers (N. 20006)		054906	060613
MOL-S - same key for different groups of circuit breakers (N. 20007)		054907	060614
MOL-S - same key for different groups of circuit breakers (N. 20008)		054908	060615
MOL-M - lock only on manual operation with same key		054909	054909
For motor operating mechanism - same key for sets of cbs	013884		

Key lock in racked-in/test isolated/racked-out position

Type	1SDA.....R1	
	T7-T7M	
For 1 circuit breaker - different key	062153	
For groups of circuit breakers - same key (N. 20005)	062154	
For groups of circuit breakers - same key (N. 20006)	062155	
For groups of circuit breakers - same key (N. 20007)	062156	
For groups of circuit breakers - same key (N. 20008)	062157	
Arrangement for Ronis key lock	063567	
Arrangement for Profalux key lock	063570	
Arrangement for Castell key lock	063568	
Arrangement for Kirk key lock	063569	

Note: The cradle can be equipped with two different key locks.

Accessory for lock in racked-out position

Type	1SDA.....R1	
	T7-T7M	
Lock in racked-out position	062158	

Note: As optional in addition to the circuit breaker lock in racked-in/isolated-test/racked-out position



1SDC210N85F0004



1SDC210N85F0004

see "Abbreviation caption" page 7/2

Ordering codes

Accessories



1SDC210A97F0004

Mechanical compartment door lock

Type	1SDA.....R1		
	Ts3		T7-T7M
Mechanical compartment door lock with cables for T7-T7M ⁽¹⁾			062159
Mechanical compartment door lock (fixing to wall) for T7-T7M F			063722
Mechanical compartment door lock (fixing to floor) for T7-T7M F			063723
Mechanical compartment door lock for T7-T7M W			063724
Compartment door lock for front flange for locks - crank handle operating mechanism	013880		
Tamper-proof lock for thermal release	025548		

Note: A circuit breaker equipped with mechanical compartment door lock can not be interlocked with another circuit breaker.

⁽¹⁾ To be ordered with cables kit for interlock and plate for interlock consistent with the circuit breaker.



1SDC210210F0004

Front lever operating mechanism – FLD

Type	1SDA.....R1		
	Ts3	T4-T5	T6
FLD - for fixed and plug-in	013889	054944 ⁽¹⁾	060417 ⁽¹⁾
FLD - for draw out	013890	054945 ⁽¹⁾	060418 ⁽¹⁾

⁽¹⁾ UL Listed



1SDC210169F0004

Mechanical interlock – MIF

Type	1SDA.....R1	
	T1-T2-T3	
MIF front interlocking plate between 2 circuit breakers	051396 ⁽¹⁾	
MIF front interlocking plate between 3 circuit breakers	052165 ⁽¹⁾	

⁽¹⁾ UL Listed



1SDC210379F0004

Mechanical interlock – MIR

Type	1SDA.....R1	
	T4-T5	
MIR-HB - frame unit horizontal interlock	054946 ⁽¹⁾	
MIR-VB - frame unit vertical interlock	054947 ⁽¹⁾	
MIR-P - plate for interlock type A T4 (F-P-W) + T4 (F-P-W)	054948 ⁽¹⁾	
MIR-P - plate for interlock type B T4 (F-P-W) + T5 400 (F-P-W) or T5 600 (F)	054949 ⁽¹⁾	
MIR-P - plate for interlock type C T4 (F-P-W) + T5 600 (P-W)	054950 ⁽¹⁾	
MIR-P - plate for interlock type D T5 400 (F-P-W) or T5 600 (F) + T5 400 (F-P-W) or T5 600 (F)	054951 ⁽¹⁾	
MIR-P - plate for interlock type E T5 400 (F-P-W) or T5 600 (F) + T5 600 (P-W)	054952 ⁽¹⁾	
MIR-P - plate for interlock type F T5 600 (P-W) + T5 600 (P-W)	054953 ⁽¹⁾	

Note: To interlock two circuit breakers you have to order a frame unit interlock and a plate (for type A or B or C or D or E or F) interlock.

⁽¹⁾ UL Listed

Mechanical interlock – MIR

Type	1SDA.....R1		
	T3	Ts3	T6
Horizontal interlock	063324	023330	060685 ⁽¹⁾
Vertical interlock	063325	023331	060686 ⁽¹⁾

⁽¹⁾ UL Listed

see "Abbreviation caption" page 7/2



1SDC210N8RF004

Mechanical interlock with cables between two circuit breakers

Type	1SDA.....R1	
	T7-T7M	
Cables kit for interlock	062127 ⁽¹⁾	
Plate for fixed unit – on rear plate	062130 ⁽¹⁾	
Wiring kit for interlock with Emax	064568	
Plate for fixed cb	062129 ⁽¹⁾	
Plate for draw out cb	062131 ⁽¹⁾	

Note: To interlock two circuit breakers you have to order a cables kit and two plates in function of the version of the circuit breaker.

⁽¹⁾ UL Listed

Floor fixing plate

Type	1SDA.....R1	
	T7-T7M	
Floor fixing plate for fixed unit	063856	



1SDC210164F004

Sealable lock of thermal adjustment

Type	1SDA.....R1		
	T1-T2-T3		Ts3
TMD release anti-adjustment seal	051397		025548



1SDC210N8RF004

Transparent protection for buttons

Type	1SDA.....R1	
	T7M	
Transparent protection for buttons	062132	
Transparent protection for buttons - independent	062133	

IP54 door protection

Type	1SDA.....R1	
	T7M	
IP54 door protection	062161	

see "Abbreviation caption" page 7/2

Ordering codes

Accessories

Residual current releases

SACE RC211, SACE RC212

Type	1SDA.....R1	
	Side-by-side	Below
RC211/3 for Ts3	020288	020289
RC212/3 for Ts3	020290	020291

SACE RC221, SACE RC222, SACE RC223

Type	1SDA.....R1	
	3 Poles	4 Poles
RC222/1 MOD 7.87" (200 mm) for T1		053869
RC221/1 for T1	051398	051401
RC222/1 for T1	051400	051402
RC221/2 for T2	051403	051405
RC222/2 for T2	051404	051406
RC221/3 for T3	051407	051409
RC222/3 for T3	051408	051410
RC223/3 for T3		064302
RC222/4 for T4		054954
RC223/4 for T4 250		054956
RC222/5 for T5		054955

Note: The residual current releases for the T2 and T3 circuit breakers, except for the RC for T3, are always supplied complete with FC Cu terminal kits.

SACE RCQ

Type	1SDA.....R1	
	T1...T7-T7M	
Relay and closed toroid - diameter 2.36" (60 mm)	037388	
Relay and closed toroid - diameter 4.33" (110 mm)	037389	
Relay and closed toroid - diameter 7.28" (185 mm)	050542	
Relay and toroid which can be opened - diameter 4.33" (110 mm)	037390	
Relay and toroid which can be opened - diameter 7.08" (180 mm)	037391	
Relay and toroid which can be opened - diameter 9.05" (230 mm)	037392	
Relay only	037393	
Closed toroid only - diameter 2.36" (60 mm)	037394	
Closed toroid only - diameter 4.33" (110 mm)	037395	
Closed toroid only - diameter 7.28" (185 mm)	050543	
Toroid which can be opened - diameter 4.33" (110 mm)	037396	
Toroid which can be opened - diameter 7.08" (180 mm)	037397	
Toroid which can be opened - diameter 9.05" (230 mm)	037398	

Note: Opening coil and undervoltage coil to be ordered separately.



1SDC210170F0004



1SDC210212F0004



1SDC210213F0004



1SDC210214F0004



1SDC210172F0004



Installation accessories

Bracket for fixing onto DIN rail

Type	1SDA.....R1		
	T1-T2-T3		Ts3
DIN50022 T1 - T2	055270 ⁽¹⁾		
DIN50022 T3	051439		
DIN 50022 T1 - T2 for RC221/RC222	051937		
DIN 50022 T3 for RC221/RC222	051938		
DIN 50022 T1 - T2 for MOS side-by-side	051939		
DIN 50022 T1 for RC222 mod. 7.87" (200 mm)	053940		
DIN EN 50023 Ts3 (complete with front flanges H = 1.77"/45 mm) 3 poles			013576
DIN EN 50023 Ts3 (complete with front flanges H = 1.77"/45 mm) 4 poles			013577

⁽¹⁾ UL Listed



Connections terminals

High insulating terminal covers – HTC

Type	1SDA.....R1		
	3 Poles		4 Poles
HTC T1	051415		051416
HTC T2	051417		051418
HTC T3	051419		051420
HTC Ts3	013695		013696
HTC T4	054958		054959
HTC T5	054960		054961
HTC T6	014040		014041
HTC T7-T7M	063091 ⁽¹⁾		063092 ⁽¹⁾

⁽¹⁾ UL Listed

Protection for high insulating terminal covers – HTC-P

Type	1SDA.....R1		
	3 Poles		4 Poles
HTC-P T4	054962		054963
HTC-P T5	054964		054965



Low insulating terminal covers – LTC

Type	1SDA.....R1		
	3 Poles		4 Poles
LTC T1	051421		051422
LTC T2	051423		051424
LTC T3	051425		051426
LTC Ts3	013693		013694
LTC T4	054966		054967
LTC T5	054968		054969
LTC T6	014038		014039
LTC T7-T7M F	063093		063094

see "Abbreviation caption" page 7/2

Ordering codes

Accessories

IP40 front protections for screw terminals – STC

Type	1SDA.....R1	
	3 Poles	4 Poles
STC T1	051431	051432
STC T2	051433	051434
STC T3	051435	051436

Sealable screws for terminal covers

Type	1SDA.....R1		
	T1-T2-T3-T4-T5	Ts3	T6-T7-T7M
Sealable screws	051504	013699	013699

Separating partitions – PB

Type	1SDA.....R1			
	T1-T2-T3	T4-T5	T6	T7-T7M
PB100 low (H = 3.94"/100 mm) - 4 pieces - 3 poles	051427	054970	050696	054970
PB100 low (H = 3.94"/100 mm) - 6 pieces - 4 poles	051428	054971	050697	054971
PB200 high (H = 7.87"/200 mm) - 4 pieces - 3 poles	051429	054972		054972
PB200 high (H = 7.87"/200 mm) - 6 pieces - 4 poles	051430	054973		054973

Front extended terminals – EF

Type	1SDA.....R1			
	3 pieces	4 pieces	6 pieces	8 pieces
EF T1	051442	051443	051440	051441
EF T2	051466	051467	051464	051465
EF T3	051490	051491	051488	051489
EF Ts3	023353	023359	013596	013597
EF T4	055000	055001	054998	054999
EF T5	055036	055037	055034	055035
EF T6 800	023383	023393	013954	013955
EF T7-T7M	063103	063104	063105	063106



1SDC21027F0004



1SDC21028F0004



1SDC210384F0004



1SDC210381F0004



1SDC210382F0004



1SDC210387F0004

Front terminals for copper-aluminium cables – FC CuAl

Type	1SDA.....R1			
	3 pieces	4 pieces	6 pieces	8 pieces
FC CuAl T2 100 A 1x2.5...50 mm ²	053952 ⁽¹⁾	053953 ⁽¹⁾	053954 ⁽¹⁾	053955 ⁽¹⁾
FC CuAl T3 100 A 1x2.5...50 mm ²	053692 ⁽¹⁾	053693 ⁽¹⁾	053694 ⁽¹⁾	053695 ⁽¹⁾
FC CuAl T3 225 A 1x25...150 mm ²	053696 ⁽¹⁾	053697 ⁽¹⁾	053698 ⁽¹⁾	053699 ⁽¹⁾
FC CuAl Ts3 150 A 1x35...95 mm ²	023356 ⁽¹⁾	023362 ⁽¹⁾	013602 ⁽¹⁾	013603 ⁽¹⁾
FC CuAl Ts3 225 A 1x25...150 mm ²	023357 ⁽¹⁾	023363 ⁽¹⁾	020293 ⁽¹⁾	020294 ⁽¹⁾
FC CuAl Ts3-D 150 A (In = 100 A) 1x2.5...50 mm ²	023355 ⁽¹⁾	023361 ⁽¹⁾	013600 ⁽¹⁾	013601 ⁽¹⁾
FC CuAl T4 250 A 1x2.5...50 mm ²	054984 ⁽¹⁾		054982 ⁽¹⁾	
FC CuAl T4 250 A 1x6...185 mm ²	054988 ⁽¹⁾		054986 ⁽¹⁾	
FC CuAl T5 400 A 2x95...120 mm ²	055028 ⁽¹⁾		055026 ⁽¹⁾	
FC CuAl T5 400 A 1x120...240 mm ²	055020 ⁽¹⁾		055018 ⁽¹⁾	
FC CuAl T5 600 A 2x95...240 mm ²	063230 ⁽¹⁾		063231 ⁽¹⁾	
FC CuAl T6 800 A (In = 600 A) 2x120...240 mm ²	052042 ⁽¹⁾	052043 ⁽¹⁾	052046 ⁽¹⁾	052047 ⁽¹⁾
FC CuAl T6 800 A 2x120...240 mm ²	052044 ⁽¹⁾	052045 ⁽¹⁾	052048 ⁽¹⁾	052049 ⁽¹⁾
FC CuAl T7 4x70...240 mm ²	063112 ⁽¹⁾	063113 ⁽¹⁾	063114 ⁽¹⁾	063115 ⁽¹⁾

⁽¹⁾ UL Listed

Front terminals – F⁽¹⁾

Type	1SDA.....R1			
	3 pieces	4 pieces	6 pieces	8 pieces
F T2 - Plugs with screws	051450	051451	051448	051449
F T3 - Plugs with screws	051478	051479	051476	051477
F T4 - Plugs with screws	054976	054977	054974	054975
F T5 - Plugs with screws	055012	055013	055010	055011
F T6 - Plugs with screws	060421	060422	060423	060424
F T7-T7M - Plugs with screws	063099	063100	063101	063102

⁽¹⁾ To be requested as loose kit

Ordering codes

Accessories



1SDC210385F0004

Front extended spread terminals – ES

Type	1SDA.....R1			
	3 pieces	4 pieces	6 pieces	8 pieces
ES T2	051470	051471	051468	051469
ES T3	051494	051495	051492	051493
ES Ts3	046517	046518	046515	046516
ES T4	055004	055005	055002	055003
ES T5	055040	055041	055038	055039
ES T6 (1/2 upper kit)	050692			
ES T6 (1/2 lower kit)	050704			
ES T6		050693	050688	050689
ES T7-T7M (1/2 upper kit)	063107			
ES T7-T7M (1/2 lower kit)	063108			
ES T7-T7M		063109	063110	063111



1SDC210385F0004

Front terminals for copper cables – FC Cu

Type	1SDA.....R1			
	3 pieces	4 pieces	6 pieces	8 pieces
FC Cu T2	051454	051455	051452	051453
FC Cu T3	051482	051483	051480	051481
FC Cu Ts3	023354	023360	013598	013599
FC Cu T4 1x185mm ²	054980	054981	054978	054979
FC Cu T5 400 1x240mm ²	055016	055017	055014	055015
FC Cu T5 600 2x240mm ²	055364	055365	055362	055363

Rear terminals for copper-aluminium cables – RC CuAl

Type	1SDA.....R1			
	3 pieces	4 pieces	6 pieces	8 pieces
RC CuAl Ts3 1x120mm ²	023358	023364	013604	013605
RC CuAl T6 600 2x240mm ²	023381	023391	013924	013925
RC CuAl T6 800 3x185mm ²	023385	023395	013958	013959

Note: For ordering methods, please ask ABB SACE.



1SDC210385F0004

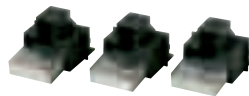
Front multi-cable terminals – MC

Type	1SDA.....R1			
	3 pieces	4 pieces	6 pieces	8 pieces
MC CuAl T4 6x35mm ²	054996	054997	054994	054995
MC CuAl T5 6x50mm ²	064182	064183	064184	064185

see "Abbreviation caption" page 7/2



1SDC210C50F0001



1SDC210N91F0004



1SDC210N92F0004

Rear terminals

Type	1SDA.....R1			
	3 pieces	4 pieces	6 pieces	8 pieces
R T2	051474	051475	051472	051473
R T3	051498	051499	051496	051497
R Ts3	023352	023365	013606	013607
R RC221/222 Ts3		025543		
R T4	055008	055009	055006	055007
R T5	055044	055045	055042	055043
R T6	060425	060426	060427	060428
R T7	063116	063117	063118	063119

Rear flat horizontal terminals – HR

Type	1SDA.....R1			
	3 pieces	4 pieces	6 pieces	8 pieces
HR T7-T7M	063120	063121	063122	063123

Rear flat vertical terminals – VR

Type	1SDA.....R1			
	3 pieces	4 pieces	6 pieces	8 pieces
VR T7-T7M	063124	063125	063126	063127

Rear flat horizontal terminals – HR

Type	1SDA.....R1			
	3 pieces	4 pieces	6 pieces	8 pieces
HR T1	053865	053866	053867	053868
HR RC221/222 T1		053987		

Kit for taking up voltage for auxiliares

Type	1SDA.....R1	
	3 pieces	4 pieces
AuxV T2 FC Cu	051500	051501
AuxV T3 FC Cu	051502	051503
AuxV T4 FC Cu	055046	055047
AuxV T4-T5 F	055048	055049

Note: Only available for fixed version circuit breaker.

Front display unit – FDU

Type	1SDA.....R1	
	T4-T5	T6
FDU display unit with PR222	055051	060429



1SDC210E28F0004

see "Abbreviation caption" page 7/2

Ordering codes

Accessories



Automatic transfer switch – ATS010

Type	1SDA.....R1
ATS010 for Ts3, T4, T5, T6, T7 and T7M	052927

HMI030 interface on the front of switchgear

Type	1SDA.....R1
	T4...T7-T7M
HMI030 interface on the front of switchgear	063143

Note: It can be used with circuit breaker equipped with PR222DS/PD-A, PR331/P and PR332/P trip units.

Modules for PR33x electronic trip unit

Type	1SDA.....R1	
	T7	T7M
PR330/V voltage measuring module	063144 ⁽²⁾	063574 ⁽²⁾
PR330/D-M communication module (Modbus RTU)	063145 ⁽²⁾	063145 ⁽²⁾
PR330/R actuator module	063146 ⁽²⁾	063146 ⁽²⁾
BT030 external wireless communication module	058259	058259
PR030B power supply unit	058258	058258
Internal voltage socket for PR332/P with PR330/V module ⁽¹⁾	063573 ⁽²⁾	063573 ⁽²⁾

⁽¹⁾ Can be ordered only mounted on the circuit breakers. See page 3/42.

⁽²⁾ UL Listed.

Dialogue unit PR222DS/PD-A

Type	1SDA.....R1
	T4-T5-T6
LSI	055066
LSIG	055067

Note: To be specified only in addition to the code of the automatic circuit breaker, with analogous overcurrent release (PR222DS/P). To order the trip unit separately, see pag 7/38.

Extracode for PR231 interchangeability

Type	1SDA.....R1
	T7-T7M
Extracode for PR231 interchangeability	063140 ⁽¹⁾

Note: In order to replace the PR231 with another electronic trip unit, the key-plug must be ordered. The extra-code 1SDA063140R1 for the interchangeability of the PR231 trip unit must be specified.

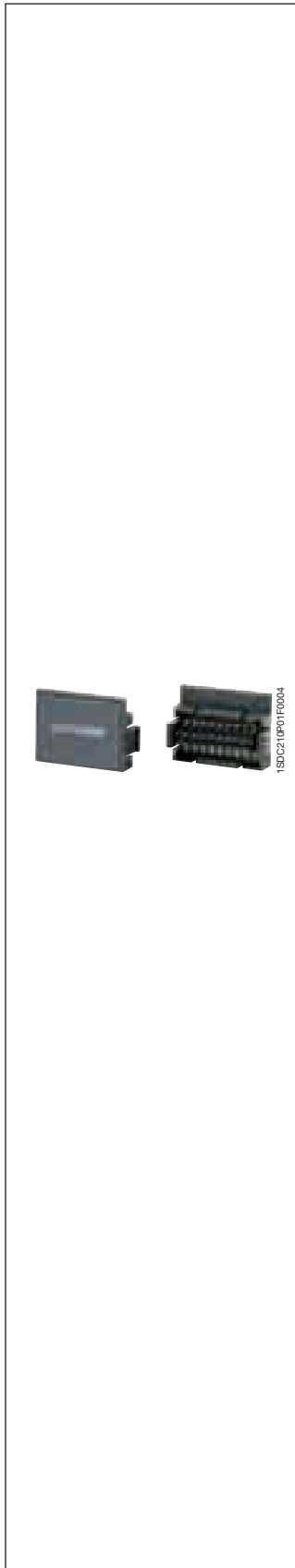
⁽¹⁾ UL Listed.

Trip unit adapters for PR33x

Type	1SDA.....R1	
	T7	T7M
Adapters for PR331-PR332	063141	
Adapters for PR33x		063142

Note: Always provided with the circuit breaker.

see "Abbreviation caption" page 7/2



CT for external neutral

Type	1SDA.....R1	
CT for external neutral - T4 250	055054 ⁽¹⁾	
CT for external neutral - T4 150	060625 ⁽¹⁾	
CT for external neutral - T4 100	055052 ⁽¹⁾	
CT for external neutral - T5 400	055057 ⁽¹⁾	
CT for external neutral - T5 300	060626 ⁽¹⁾	
CT for external neutral - T5 600	063322 ⁽¹⁾	
CT for external neutral - T6 600	061769 ⁽¹⁾	
CT for external neutral - T6 800	060431 ⁽¹⁾	

Note: Connector X4 is not included and must be ordered separately.

⁽¹⁾ UL Listed.

Current sensor for external neutral

Type	1SDA.....R1	
Current sensor for external neutral - T7-T7M 400...1200	063159 ⁽¹⁾	

⁽¹⁾ UL Listed.

Rating plug

Type	1SDA.....R1	
	T7-T7M	
In = 600 A	063580 ⁽¹⁾	
In = 1200 A	063581 ⁽¹⁾	
In = 400 A T7-T7M	065981 ⁽¹⁾	
In = 800 A T7-T7M	065982 ⁽¹⁾	
In = 1000 A T7-T7M	065983 ⁽¹⁾	

⁽¹⁾ UL Listed.

Extracode rating plug

Type	1SDA.....R1	
In = 600 A	063583 ⁽¹⁾	
In = 400 A T7-T7M	065984 ⁽¹⁾	
In = 800 A T7-T7M	065985 ⁽¹⁾	
In = 1000 A T7-T7M	065986 ⁽¹⁾	

Note: To be specified only in addition to the code of the automatic circuit breaker.

⁽¹⁾ UL Listed.

Ordering codes

Accessories



1SDC210R2F0004



1SDC210P03F0004



1SDC210215F0004

Homopolar toroid for residual current protection

Type	1SDA.....R1	
	T7-T7M	
Toroid RC	063869	

Homopolar sensor for the earthing conductor of the main power supply

Type	1SDA.....R1	
	T7-T7M	
Sensor	059145	

Accessories for electronic trip units

Type	1SDA.....R1	
	T4-T5-T6	T7-T7M
X3 Connector for fixed circuit breaker PR22DS/P	055059	
X3 Connector for plug-in/draw out circuit breaker	055061	
X4 Connector for fixed circuit breaker	055060	
X4 Connector for plug-in/draw out circuit breaker	055062	
TT1 - Test Unit ⁽¹⁾	037121	
TT1 - Test Unit for PR231/P, PR232/P electronic trip units		037121
PR010/T - Test and configuration unit for PR222DS/P, PR222DS/PD-A electronic trip units	048964	
PR010/T - Test and configurator unit for PR33x and PR232 electronic trip unit		048964
PR021/K - Signaling unit for PR222DS/PD-A, PR331 or PR332 electronic trip units	059146	
EP010 - Interface module for PR222/PD-A	059469	
EP010 - Interface module for PR332/P electronic trip unit		060198

Note: For the use of X3 and X4 connectors, see page 3/44.

⁽¹⁾ Available also for T2.



Due to possible developments of standards as well as of materials, the characteristics and dimensions specified in the present catalogue may only be considered binding after confirmation by ABB SACE.

1SDC210023D0201 - 09/2008
Printed in Italy
2.000 - CAL

ABB SACE

A division of ABB S.p.A.

L.V. Breakers

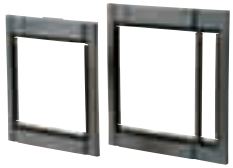
Via Baioni, 35

24123 Bergamo, Italy

Tel.: +39 035.395.111 - Telefax: +39 035.395.306-433

<http://www.abb.com>

Courtesy of Steven Engineering, Inc - (800) 258-9200 - sales@steveneng.com - www.stevenengineering.com



1SDC210P6F0004

Spare parts

Flanges for compartment door

Type	1SDA.....R1	
Flange for compartment door for T1-T2-T3	051509	
Flange for compartment door for MOS or RHD T1-T2-T3	051510	
Flange for compartment door T1 with RC221 or RC222 3p	051511	
Flange for compartment door T2 with RC221 or RC222 3p	051512	
Flange for compartment door T3 with RC221 or RC222 3p	051513	
Flange for compartment door T1-T2-T3 with RC221 or RC222 4p	051514	
Flange for compartment door for T4-T5 fixed or plug-in	055094	
Flange for compartment door for T4-T5 draw out	055095	
Flange for compartment door for RC222 for T4-T5	055096	
Flange for the T6 compartment door	060432	
Flange for the draw out T6 compartment door	060433	
Flange for the fixed T6 compartment door with MOE/MOE-E, RHD and FLD	060434	
Flange for compartment door for T7-T7M fixed	063160 ⁽¹⁾	
Flange for compartment door for T7-T7M draw out	063161 ⁽¹⁾	
Flange for compartment door for T7 fixed with rotary handle	063162 ⁽¹⁾	
Flange for compartment door for T7 draw out with rotary handle	063163	

⁽¹⁾ UL Listed.

Solenoid operator for residual current device

Type	1SDA.....R1	
RC221/RC222 for T1	051506	
RC221/RC222 for T2	051507	
RC221/RC222 for T3	051508	
RC223 for T3	064548	
RC222/RC223 for T4-T5	055097	

Connecting terminals for electrical accessories

Type	1SDA.....R1	
	T7-T7M	
Single terminal	062170	

Note: To have a complete overview of the spare parts available for the Tmax family of circuit breakers, please consult the "Spare Parts Catalogue".

SD-View 2000 software

Type	1SDA.....R1	
SD-View 2000 software	060549	
SD-View 2000 software - 5000 tags license	060550	
SD-View 2000 software - 10000 tags license	060551	
SD-View 2000 software - 20000 tags license	064106	

see "Abbreviation caption" page 7/2