

powerswitch®

Stainless Steel Disconnect Switches

Slope Top 30/32 A, Non-Fused

Flat Top 30/32 A, 60 A, 80 A, 100 A, Non-Fused

Durable Construction.

- Overmold handle provides firm grip in wet environments
- Type 304 stainless steel resists corrosion, heat and abuse

Easy Installation.

- Removable door and captive screws make installation and servicing simple and quick

Sanitary Design.

- 3/4" standoff from mounting surface allows for easy cleaning
- NSF Certified and IP69K rated



Designed to meet hygiene requirements in food processing



HI-TEMP • HI-PRESSURE
IP69K
WASHDOWN

Protects against the most extreme washdown procedures



30/32 A
slope top
versions push
water & debris
AWAY from
door & handle!

powerswitch®

Stainless Steel Disconnect Switches

Slope Top 30/32 A, Non-Fused

Flat Top 30/32 A, 60 A, 80 A, 100 A, Non-Fused

Additional Features

- Watertight, submersible and dust-tight enclosures rated to IP66, IP67, IP68, IP69K, and UL 50E Type 3R, 4X, 12 and 13
- ON/OFF marking stamped into enclosure door for clear identification
- Door features captive, triple-head screws
- Handle with high visibility red and yellow made of UV stable material that resists fading and degradation outdoors
- Soft grip handle accommodates three padlocks to meet OSHA 1910.147 lockout/tagout requirements



Ordering Information

Disconnect Switches in Stainless Steel Enclosures	Catalog Number
30/32 A Slope Top	MDS3-ST
30/32 A Slope Top with Auxiliary Contact, Normally Opened	MDS3-AST
30/32 A	MDS3-AX
30/32 A with Auxiliary Contact, Normally Opened	MDS3-AC
60 A	MDS6-AX

Disconnect Switches in Stainless Steel Enclosures	Catalog Number
60 A with Auxiliary Contact, Normally Opened	MDS6-AC
80 A	MDS8-AX
80 A with Auxiliary Contact, Normally Opened	MDS8-AC
100 A	MDS1-AX
100 A with Auxiliary Contact, Normally Opened	MDS1-AC

Accessories

Description	Catalog Number
Non-Fused Auxiliary Contact, Normally Closed, 30/32 A, 60 A, 80 A	AUXNC-NF
Non-Fused Auxiliary Contact, Early Break, 100 A	AUXNO-NF1
Auxiliary Contact, Normally Opened, 30/32 A, 60 A, 80 A	AUXNO
30/32 A Replacement Non-Fused Switch	30ASW
60 A, 80 A Replacement Non-Fused Switch	6080A-NF
100 A Replacement Non-Fused Switch	100SW-NF

Description	Catalog Number
Watertight Conduit Hub, Die-Cast Zinc, 3/4"	HUB-34
Watertight Conduit Hub, Die-Cast Zinc, 1"	HUB-100
Watertight Conduit Hub, Die-Cast Zinc, 1 1/4"	HUB-114
Watertight Conduit Hub, Die-Cast Zinc, 1 1/2"	HUB-112
Watertight Conduit Hub, Die-Cast Zinc, 2"	HUB-200
Watertight Conduit Hub, Stainless Steel, 3/4"	SSHUB
Replacement Overmold Handle	HNDLE

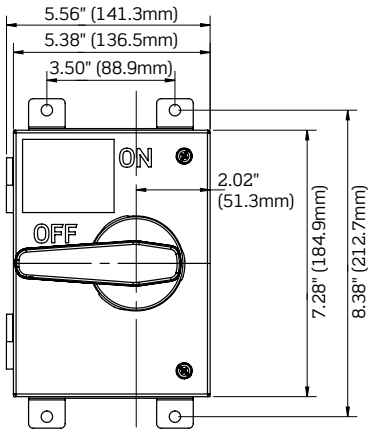
Specifications

Catalog Number	MDS3-AX, MDS3-AC, MDS3-ST & MDS3-AST	MDS6-AX & MDS6-AC	MDS8-AX & MDS8-AC	MDS1-AX & MDS1-AC	
Electrical Specifications					
Amperage	30 A/32 A	60 A	80 A	100 A	
Max. Operating Voltage	600 V	600 V	600 V	600 V	
Max. Horsepower Rating	SINGLE PHASE	120 VAC; 2 hp	120 VAC; 2 hp	120 VAC; 2 hp	120 VAC; 7.5 hp
		208 to 240 VAC; 5 hp	208 to 240 VAC; 10 hp	208 to 240 VAC; 10 hp	220 to 240 V AC; 20 hp
		480 VAC; 5 hp	480 VAC; 20 hp	480 VAC; 20 hp	277 V; 25 hp
		600 VAC; 5 hp	600 VAC; 20 hp	600 VAC; 20 hp	440 to 480 VAC; 30 hp
	THREE PHASE	—	—	—	550 to 600 VAC; 30 hp
		208 to 240 VAC; 10 hp	208 to 240 VAC; 20 hp	208 to 240 VAC; 20 hp	110 to 120 VAC; 15 hp
		480 VAC; 20 hp	480 VAC; 40 hp	480 VAC; 40 hp	220 to 240 VAC; 40 hp
		600 VAC; 25 hp	600 VAC; 40 hp	600 VAC; 40 hp	440 to 480 VAC; 60 hp
—	—	—	550 to 600 VAC; 50 hp		
Current Interrupting	Certified for full-rated current and voltage				
Dielectric Voltage	1,000 V plus twice rated voltage for 1 minute				
Minimum Electrical Endurance	6,000 operation cycles at rated current and voltage				
Mechanical Endurance	20,000 Operations (10,000 Operation Cycles)				
Short Circuit Current Rating (SCCR)	Suitable for use on a circuit capable of delivering not more than 10 kA RMS symmetrical amperes, 600 VAC max., when protected by 60 A, class J fuses	Suitable for use on a circuit capable of delivering not more than 100 kA RMS symmetrical amperes, 600 VAC max., when protected by 100 A, class J or T fuses	Suitable for use on a circuit capable of delivering not more than 100 kA RMS symmetrical amperes, 600 VAC max., when protected by 100 A, class J or T fuses	Suitable for use on a circuit capable of delivering not more than 65 kA RMS symmetrical amperes, 600 VAC max., when protected by 100 A, class J fuses	
Environmental Specifications					
Operating Temperature*	-40°C to 75°C				
UV Resistance	Exposed materials are UV stabilized				
Water/Moisture Resistance	NEMA /UL 50E Type 3R, 4X, 12, 13 • IP66, IP67, and IP68 • IP69K (per ISO 20653)				
Material Specifications					
Enclosure	16 Gauge Type 304 Stainless Steel				
Handle	Base: PBT • Overmold: TPE				
Enclosure Screws	Stainless Steel				
Enclosure Gasket	Polyurethane Formed-In-Place-Foam Gasket (FIPFG), UL 50E Approved				
Mounting Feet	14 Gauge Type 304 Stainless Steel				
Mechanical Specifications					
Terminal Identification	In accordance with UL and international conventions				
Product Identification	Identification and ratings are a part of internal and external label				
Terminal Accommodation	#14 - #8 AWG	#14 - #4 AWG	#14 - #4 AWG	#8 - #1/0 AWG	
Standards & Certifications					
NSF	14159-1 Hygenic Requirement for the Design of Meat & Poultry Processing Equipment				
NEMA	NEMA 250				
UL	cULus Listed to UL 60947-4-1 (supersedes UL 508) and CSA-C22.2 No. 60947-4-1	cULus Listed to UL 60947-4-1 (supersedes UL 508) and CSA-C22.2 No. 60947-4-1	cULus Listed to UL 60947-4-1 (supersedes UL 508) and CSA-C22.2 No. 60947-4-1	cULus Listed to UL 60947-4-1 (supersedes UL 508), UL 98 and CSA-C22.2 No. 60947-4-1	
NOM	NOM-ANCE Certified				
IEC	IEC 60529				
ISO	ISO 20653				
CE	CE Marked – Low Voltage Directive (LVD) 2014/35/EU				
Warranty					
Product Warranty	3 Year Limited Warranty				

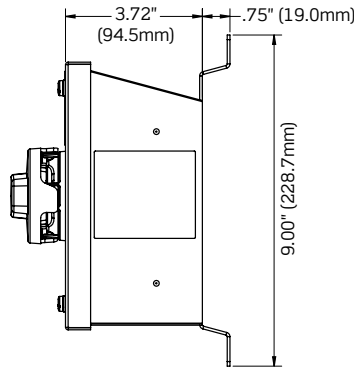
* Derating may apply

Dimensions

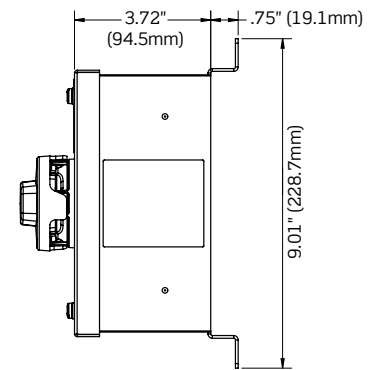
MDS3-ST, MDS3-AST, MDS3-AX & MDS3-AC



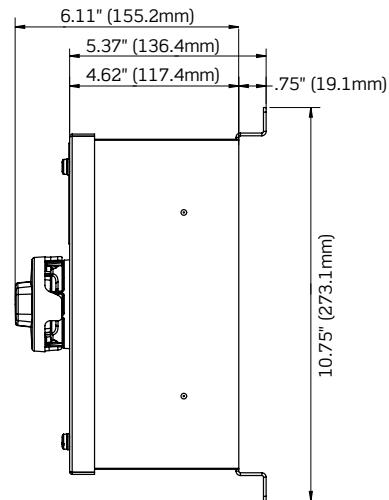
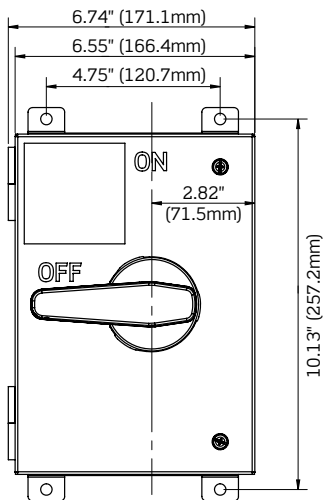
Side View (15° Slope top) MDS3-ST & MDS3-AST



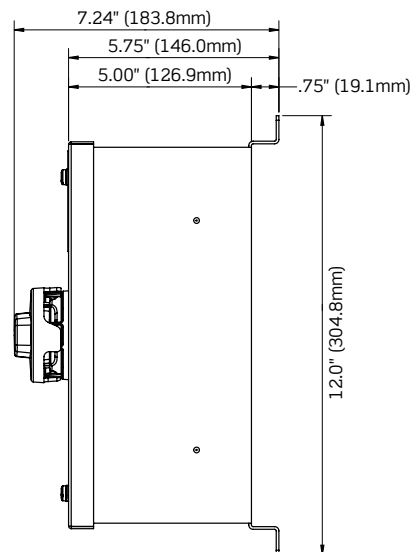
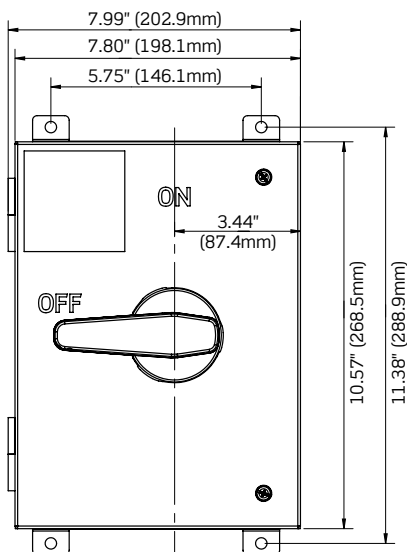
Side View (Flat top) MDS3-AX & MDS3-AC



MDS6-AX, MDS6-AC, MDS8-AX & MDS8-AC



MDS1-AX & MDS1-AC



Visit our Website at:
www.leviton.com/powerswitch
 email: industrial@leviton.com

Q-1048C

Leviton Manufacturing Co., Inc.
 201 N Service Rd, Melville, NY 11747
 Telephone: 1-800-323-8920 • FAX: 1-800-832-9538
 Tech Line: 1-800-824-3005 (M-F 8AM-10PM; Sat 9AM-7PM; Sun 9AM-5PM)

© 2020 Leviton Manufacturing Co., Inc. All rights reserved.

082720

