

Power module - CAPAROC PM IOL



1115670

<https://www.phoenixcontact.com/us/products/1115670>

Please be informed that the data shown in this PDF document is generated from our Online Catalog. Please find the complete data in the user documentation. Our General Terms of Use for Downloads are valid.



Power module with IO-Link interface for supplying the CAPAROC circuit breaker system with 12 or 24 V DC for up to 20 channels. For DIN rail installation via the CAPAROC current rails.

Your advantages

- The benchmark that you can customize by selecting single signals and resets all the way to IO-Link and PROFINET communication
- Particularly easy operation for everyone with tool-free assembly, direct feed-in to the busbar, and clear operating states
- Exceptionally easy design-in with the comprehensive digital data packet

Commercial Data

Item number	1115670
Packing unit	1 pc
Minimum order quantity	1 pc
Note	Made to Order (non-returnable)
Sales Key	C34
Product Key	CLA231
GTIN	4063151040901
Weight per Piece (including packing)	129.3 g
Weight per Piece (excluding packing)	92 g
Customs tariff number	85363030
Country of origin	DE

1115670

<https://www.phoenixcontact.com/us/products/1115670>

Technical Data

Product properties

Product type	Device circuit breakers
Number of slots	2

Insulation characteristics

Protection class	III
Pollution degree	2

Electrical properties

General

Operating voltage	10 V DC ... 30 V DC
Rated voltage	12 V DC
	24 V DC
Rated current I_N	45 A DC (Total current input)
Tripping method	E (electronic)
Feedback resistance	max. 35 V DC
Dielectric strength	35 V DC (Load circuit)
Efficiency	> 99 %
Closed circuit current I_0	typ. 12 mA (no load at 24 V)
Power dissipation	typ. 0.27 W (no load at 24 V)
	< 1.5 W (in nominal operation at 24 V and 45 A)
Temperature derating	45 A (Total current at 40°C)
	30 A (Total current at 65 °C)
MTBF (IEC 61709, SN 29500)	13826266.85 h (at 25 °C with 21 % load)
	5534344.72 h (at 40°C with 34.25% load)
	687502.35 h (at 65°C with 100% load)
Voltage drop	5 mV (at 10 A)
Current consumption	typ. 0.5 mA (at 24 V DC)
Pulse length	≥ 50 ms

Connection data

Main circuit IN+

Connection method	Push-in connection
Stripping length	18 mm
Conductor cross section solid	0.5 mm ² ... 16 mm ²
Conductor cross section AWG	20 ... 8
Conductor cross section, flexible, with ferrule, with plastic sleeve	0.5 mm ² ... 16 mm ²
Conductor cross section flexible, with ferrule without plastic sleeve	0.5 mm ² ... 16 mm ²

Main circuit IN+

Connection method	Push-in connection
-------------------	--------------------

Power module - CAPAROC PM IOL



1115670

<https://www.phoenixcontact.com/us/products/1115670>

Stripping length	18 mm
Conductor cross section solid	0.5 mm ² ... 16 mm ²
Conductor cross section AWG	20 ... 8
Conductor cross section, flexible, with ferrule, with plastic sleeve	0.5 mm ² ... 16 mm ²
Conductor cross section flexible, with ferrule without plastic sleeve	0.5 mm ² ... 16 mm ²

Main circuit IN+

Connection method	Push-in connection
Stripping length	8 mm
Conductor cross section solid	0.2 mm ² ... 1.5 mm ²
Conductor cross section AWG	24 ... 16
Conductor cross section, flexible, with ferrule, with plastic sleeve	0.2 mm ² ... 0.75 mm ²
Conductor cross section flexible, with ferrule without plastic sleeve	0.2 mm ² ... 1.5 mm ²

Interfaces

IO-Link

Interface type	IO-Link
Specification	V1.1
Reverse polarity protection	Yes
Transmission speed	230.4 kbps (COM3)
Cycle Time	min. 20 ms
Amount of process data	8 Byte (Input data) 3 Byte (Output data)
Current consumption	typ. 30 mA (IO-Link L+)
IO-Link Vendor ID	176 _{dec} , 00 B0 _{hex}

PROFINET

Maximum system extension	≤ 20 (Channels)
--------------------------	-----------------

LED signaling

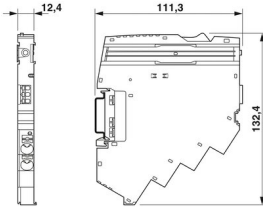
IO-Link LED off	off (No communication)
IO-Link LED green	flashing (IO-Link connection exists)
Power (PWR) LED green	lit (Supply voltage OK)
Power (PWR) LED red	lit (Supply voltage outside the nominal range) flashing (System topology changed)

Dimensions

Power module - CAPAROC PM IOL

1115670

<https://www.phoenixcontact.com/us/products/1115670>

Dimensional drawing	
Width	12.4 mm
Height	132.4 mm
Depth	111.3 mm (incl. DIN rail 7.5 mm)

Material specifications

Color	light grey RAL 7035
Material	PA 6 (Housing)
	PA 6 (Pusher)
	PA 6 (Release lever)
	PC (Fiber optics)
Flammability rating according to UL 94	V-0

Environmental and real-life conditions

Ambient conditions

Degree of protection	IP20
Ambient temperature (operation)	-30 °C ... 65 °C
Ambient temperature (storage/transport)	-40 °C ... 70 °C
Altitude	≤ 4000 m (amsl (above mean sea level))
Humidity test	96 h, 95 % RH, 40 °C

Standards and regulations

Standards/specifications	EN 61000-6-2
Standards/specifications	EN 61000-6-3
Standards/specifications	EN 60068-2-78
Standards/specifications	EN 50178

Mounting

Mounting type	pluggable onto CAPAROC CR... current rail
---------------	---

Power module - CAPAROC PM IOL



1115670

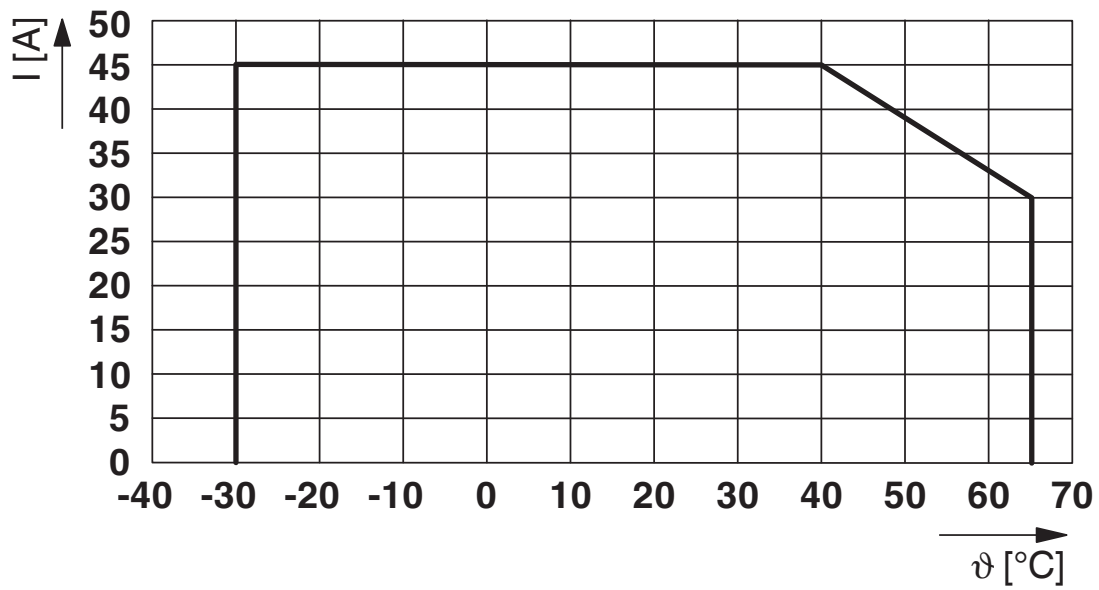
<https://www.phoenixcontact.com/us/products/1115670>

Drawings

Product drawing



Diagram



Max. permissible current in relation to the ambient temperature

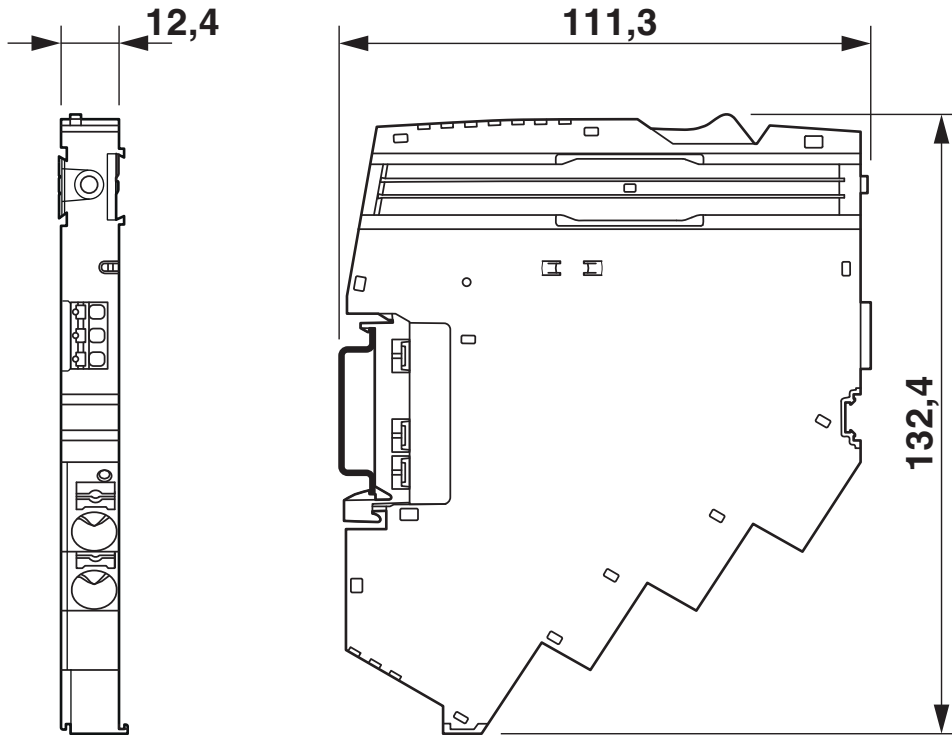
Power module - CAPAROC PM IOL



1115670

<https://www.phoenixcontact.com/us/products/1115670>

Dimensional drawing



Power module - CAPAROC PM IOL



1115670

<https://www.phoenixcontact.com/us/products/1115670>

Approvals



UL Listed

Approval ID: FILE E 123528



cUL Listed

Approval ID: FILE E 123528

cULus Listed

Power module - CAPAROC PM IOL



1115670

<https://www.phoenixcontact.com/us/products/1115670>

Classifications

ECLASS

ECLASS-9.0	27141116
ECLASS-10.0.1	27140401
ECLASS-11.0	27140401

ETIM

ETIM 8.0	EC003538
----------	----------

UNSPSC

UNSPSC 21.0	39121400
-------------	----------

Power module - CAPAROC PM IOL



1115670

<https://www.phoenixcontact.com/us/products/1115670>

Environmental Product Compliance

REACH SVHC

Lead 7439-92-1

Power module - CAPAROC PM IOL



1115670

<https://www.phoenixcontact.com/us/products/1115670>

Mandatory Accessories

Busbar

Busbar - CAPAROC CR 20 - 1110989

<https://www.phoenixcontact.com/us/products/1110989>

Busbar for CAPAROC system with 20 slots. For installation on a DIN rail.



Busbar

Busbar - CAPAROC CR 8 - 1115672

<https://www.phoenixcontact.com/us/products/1115672>

Busbar for the CAPAROC system with 8 slots. For installation on a DIN rail.



Accessories

Power module - CAPAROC PM IOL



1115670

<https://www.phoenixcontact.com/us/products/1115670>

Electronic circuit breaker

Electronic circuit breaker - CAPAROC E1 12-24DC/1-4A - 1115415

<https://www.phoenixcontact.com/us/products/1115415>



1-channel electronic circuit breaker module for protecting 12 and 24 V DC loads against overload and short circuit. Nominal current adjustable from 1 A to 4 A via LED button. For DIN rail installation via the CAPAROC current rails.

Electronic circuit breaker

Electronic circuit breaker - CAPAROC E1 12-24DC/1-10A - 1115649

<https://www.phoenixcontact.com/us/products/1115649>



1-channel electronic circuit breaker module for protecting 12 and 24 V DC loads against overload and short circuit. Nominal current adjustable from 1 A to 10 A via LED button. For DIN rail installation via the CAPAROC current rails.

Power module - CAPAROC PM IOL



1115670

<https://www.phoenixcontact.com/us/products/1115670>

Electronic circuit breaker

Electronic circuit breaker - CAPAROC E1 12-24DC/1A - 1157288

<https://www.phoenixcontact.com/us/products/1157288>



1-channel electronic circuit breaker module for protecting 12 and 24 V DC loads against overload and short circuit. With fixed nominal current. For DIN rail installation via the CAPAROC current rails.

Electronic circuit breaker

Electronic circuit breaker - CAPAROC E1 12-24DC/2A - 1157290

<https://www.phoenixcontact.com/us/products/1157290>



1-channel electronic circuit breaker module for protecting 12 and 24 V DC loads against overload and short circuit. With fixed nominal current. For DIN rail installation via the CAPAROC current rails.

Power module - CAPAROC PM IOL



1115670

<https://www.phoenixcontact.com/us/products/1115670>

Electronic circuit breaker

Electronic circuit breaker - CAPAROC E1 12-24DC/4A - 1157285

<https://www.phoenixcontact.com/us/products/1157285>



1-channel electronic circuit breaker module for protecting 12 and 24 V DC loads against overload and short circuit. With fixed nominal current. For DIN rail installation via the CAPAROC current rails.

Electronic circuit breaker

Electronic circuit breaker - CAPAROC E1 12-24DC/6A - 1157286

<https://www.phoenixcontact.com/us/products/1157286>



1-channel electronic circuit breaker module for protecting 12 and 24 V DC loads against overload and short circuit. With fixed nominal current. For DIN rail installation via the CAPAROC current rails.

Power module - CAPAROC PM IOL



1115670

<https://www.phoenixcontact.com/us/products/1115670>

Electronic circuit breaker

Electronic circuit breaker - CAPAROC E1 12-24DC/8A - 1157279

<https://www.phoenixcontact.com/us/products/1157279>



1-channel electronic circuit breaker module for protecting 12 and 24 V DC loads against overload and short circuit. With fixed nominal current. For DIN rail installation via the CAPAROC current rails.

Electronic circuit breaker

Electronic circuit breaker - CAPAROC E1 12-24DC/10A - 1157284

<https://www.phoenixcontact.com/us/products/1157284>



1-channel electronic circuit breaker module for protecting 12 and 24 V DC loads against overload and short circuit. With fixed nominal current. For DIN rail installation via the CAPAROC current rails.

Power module - CAPAROC PM IOL

1115670

<https://www.phoenixcontact.com/us/products/1115670>

Electronic circuit breaker

Electronic circuit breaker - CAPAROC E2 12-24DC/1-4A - 1115655

<https://www.phoenixcontact.com/us/products/1115655>



2-channel electronic circuit breaker module for protecting 12 and 24 V DC loads against overload and short circuit. Nominal current adjustable from 1 A to 4 A via step switch. For DIN rail installation via the CAPAROC current rails.

Electronic circuit breaker

Electronic circuit breaker - CAPAROC E2 12-24DC/2-10A - 1110984

<https://www.phoenixcontact.com/us/products/1110984>



2-channel electronic circuit breaker module for protecting 12 and 24 V DC loads against overload and short circuit. Nominal current adjustable from 2 A to 10 A via step switch. For DIN rail installation via the CAPAROC current rails.

Power module - CAPAROC PM IOL

1115670

<https://www.phoenixcontact.com/us/products/1115670>

Electronic circuit breaker

Electronic circuit breaker - CAPAROC E4 12-24DC/1-4A - 1115657

<https://www.phoenixcontact.com/us/products/1115657>



Four-channel electronic circuit breaker module for protecting 12 and 24 V DC loads against overload and short circuit. Nominal current adjustable from 1 A to 4 A via LED button. For DIN rail installation via the CAPAROC current rails.

Electronic circuit breaker

Electronic circuit breaker - CAPAROC E4 12-24DC/1-10A - 1115658

<https://www.phoenixcontact.com/us/products/1115658>



Four-channel electronic circuit breaker module for protecting 12 and 24 V DC loads against overload and short circuit. Nominal current adjustable from 1 A to 10 A via LED button. For DIN rail installation via the CAPAROC current rails.

Power module - CAPAROC PM IOL

1115670

<https://www.phoenixcontact.com/us/products/1115670>

Potential distributors

Potential distributors - CAPAROC PD 0V - 1110987

<https://www.phoenixcontact.com/us/products/1110987>



Potential distributor with Push-in connections for directly connecting the 0 V return conductor in the CAPAROC system. For DIN rail installation via the CAPAROC current rails.

Marker for terminal blocks

Marker for terminal blocks - UC-TM 12 - 0819194

<https://www.phoenixcontact.com/us/products/0819194>



Marker for terminal blocks, Sheet, white, unlabeled, can be labeled with: BLUEMARK ID COLOR, BLUEMARK ID, BLUEMARK CLED, PLOTMARK, CMS-P1-PLOTTER, mounting type: snapped, for terminal block width: 12 mm, lettering field size: 11.45 x 10.5 mm, Number of individual labels: 40

Power module - CAPAROC PM IOL

1115670

<https://www.phoenixcontact.com/us/products/1115670>

Marker for terminal blocks

Marker for terminal blocks - UCT-TM 12 - 0829144

<https://www.phoenixcontact.com/us/products/0829144>



Marker for terminal blocks, Sheet, white, unlabeled, can be labeled with: TOPMARK NEO, TOPMARK LASER, BLUEMARK ID COLOR, BLUEMARK ID, BLUEMARK CLED, THERMOMARK PRIME, THERMOMARK CARD 2.0, THERMOMARK CARD, mounting type: snapped, for terminal block width: 12 mm, lettering field size: 10.8 x 9.6 mm, Number of individual labels: 30

Busbar

Busbar - CAPAROC CR EXT20 - 1115674

<https://www.phoenixcontact.com/us/products/1115674>



Extension busbar with 20 slots for the CAPAROC system. For installation on a DIN rail.

Power module - CAPAROC PM IOL

1115670

<https://www.phoenixcontact.com/us/products/1115670>

Busbar

Busbar - CAPAROC CR EXT8 - 1110990

<https://www.phoenixcontact.com/us/products/1110990>



Extension busbar with 8 slots for CAPAROC system. For installation on a DIN rail.

Busbar

Busbar - CAPAROC CR EXT4 - 1110991

<https://www.phoenixcontact.com/us/products/1110991>



Extension busbar with 4 slots for the CAPAROC system. For installation on a DIN rail.

Power module - CAPAROC PM IOL



1115670

<https://www.phoenixcontact.com/us/products/1115670>

Metal part

Metal part - CAPAROC CR CON - 1270955

<https://www.phoenixcontact.com/us/products/1270955>



Metal extension rails from connecting CAPAROC initial busbars.

Phoenix Contact 2022 © - all rights reserved

<https://www.phoenixcontact.com>

Phoenix Contact USA
586 Fulling Mill Road
Middletown, PA 17057, United States
(+717) 944-1300
info@phoenixcon.com