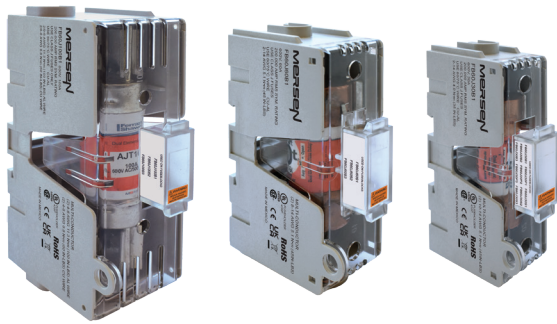


# Class J Fuse Holders - Gen2

Fuse Bases

FUSE BASES, FUSE HOLDERS, FUSE SYSTEMS



Mersen's new Generation 2 open style class J fuse blocks accommodate class J fuses ranging from 0-100A, 600V. A choice of screw, pressure plate, and box connectors fit a wide range of stranded or solid wire. Gen2 fuse blocks are DIN-rail mountable, more compact than the traditional offering, and feature dovetail nesting for multi-pole field assembly. Fuse bases are IP20 rated when paired with Mersen's newly designed dead front covers.

Technical Data Overview	
Volts	600VAC/DC
Amps	30A, 60A, 100A
Short-Circuit Current Rating (SCCR)	200kA
Recommended fuse usage	AJT, A4J, HSJ

## FEATURES/BENEFITS

- DIN-rail mountable, 600V, 30-100A fuse bases
- 30A is available with box, screw, and pressure plate terminations; 60A & 100A is available with box only
- Fresh new Mersen gray color for fuse base
- Dovetail design for interlocking configuration of 2-pole and 3-pole bases
- Unique molding around the termination to accommodate hinged cover and for increased safety
- Built-in lockout/tagout feature
- IP20 finger safe
- New clear covers with indicators for safety and visual inspections
- Multi-connector wiring options

## APPLICATIONS

- Branch circuits
- Control panels
- Load centers
- Lighting, heating, & general loads

## APPROVALS/STANDARDS

- All class J fuse blocks meet the requirements of UL4248 (formerly UL512)
- UL listed Guide IZLT, File E52283
- CSA certified class 6225, File 32169



© 2023 Mersen. All rights reserved. Mersen reserves the right to change, update, or correct, without notice, any information contained in this datasheet.

### CATALOG NUMBERS

#### 600 Volt, 30, 60, & 100 Ampere Class J Fuse Blocks

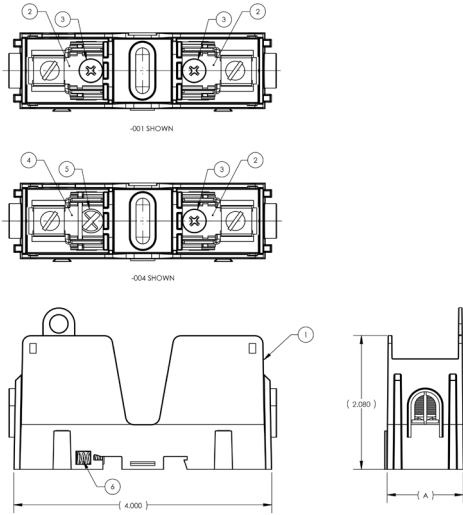
Ampere Rating	Poles	Connectors		Catalog Number	Description	Connector Torque In - lb	Figure
		Types	Wire Range				
30	1	BOX	2-14 AWG CU-AL	FB60J30B1	Fuse base 600V J 30A Box 1-P	4.0 N-m (35 in-lbs) CU-AL	1
	2			FB60J30B2	Fuse base 600V J 30A Box 2-P		
	3			FB60J30B3	Fuse base 600V J 30A Box 3-P		
	1	SCREW	10-14 AWG CU only	FB60J30S1	Fuse base 600V J 30A Screw 1-P	2.3 N-m (10 in-lbs) CU wire	2
	2			FB60J30S2	Fuse base 600V J 30A Screw 2-P		
	3			FB60J30S3	Fuse base 600V J 30A Screw 3-P		
	1	PRESSURE PLATE	10-14 AWG CU only	FB60J30P1	Fuse base 600V J 30A PP 1-P	2.3 N-m (10 in-lbs) CU wire	3
	2			FB60J30P2	Fuse base 600V J 30A PP 2-P		
	3			FB60J30P3	Fuse base 600V J 30A PP 3-P		
60	1	BOX	2-14 AWG CU-AL	FB60J60B1	Fuse base 600V J 60A Box 1-P	5.1 N-m (45 in-lbs) CU-AL	4
	2			FB60J60B2	Fuse base 600V J 60A Box 2-P		
	3			FB60J60B3	Fuse base 600V J 60A Box 3-P		
100	1	BOX	2/0-6 AWG CU-AL	FB60J100B1	Fuse base 600V J 100A Box 1-P	11.3 N-m (100 in-lbs) AL wire; 6.8 N-m (60 in-lbs) CU wire	5
	2			FB60J100B2	Fuse base 600V J 100A Box 2-P		
	3			FB60J100B3	Fuse base 600V J 100A Box 3-P		

#### Dead Front Covers for 600 Volt Class J Fuse Blocks

Ampere Rating	Catalog Number	Description	Figure
30	FBC60J30	Cover 600V J 30A W/O IND	6
	FBC60J30I	Cover 600V J 30A W/IND	
60	FBC60J60	Cover 600V J 60A W/O IND	7
	FBC60J60I	Cover 600V J 60A W/IND	
100	FBC60J100	Cover 600V J 100A W/O IND	8
	FBC60J100I	Cover 600V J 100A W/IND	

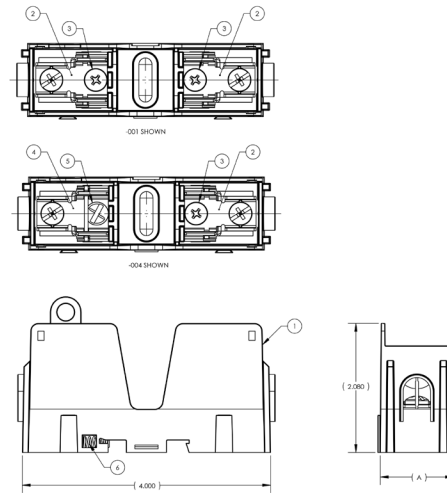
### DIMENSIONS

Figure 1: Class J 30A - Box Connector



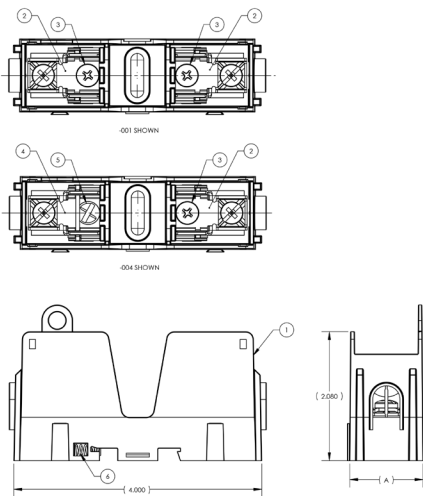
Catalog Number	No. of Poles	"A" Dimension
FB60J30B1	1	1.18"
FB60J30B2	2	2.36"
FB60J30B3	3	3.54"

Figure 2: Class J 30A - Screw



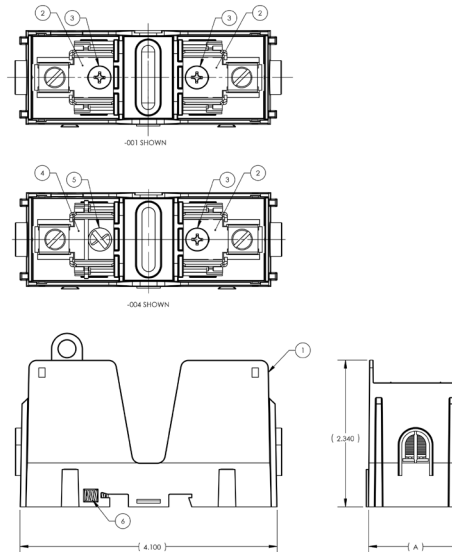
Catalog Number	No. of Poles	"A" Dimension
FB60J30S1	1	1.18"
FB60J30S2	2	2.36"
FB60J30S3	3	3.54"

Figure 3: Class J 30A - Pressure Plate



Catalog Number	No. of Poles	"A" Dimension
FB60J60P1	1	1.18"
FB60J60P2	2	2.36"
FB60J60P3	3	3.54"

Figure 4: Class J 60A - Box Connector

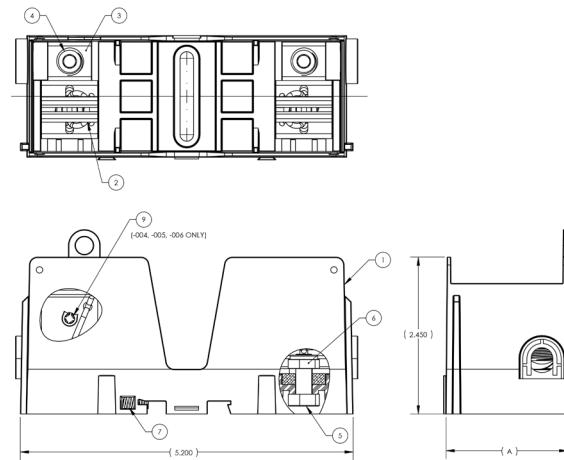


Catalog Number	No. of Poles	"A" Dimension
FB60J60B1	1	1.5"
FB60J60B2	2	3.0"
FB60J60B3	3	4.5"

© 2023 Mersen. All rights reserved. Mersen reserves the right to change, update, or correct, without notice, any information contained in this datasheet.

### DIMENSIONS:

Figure 5: Class J 100A - Box Connector



Catalog Number	No. of Poles	"A" Dimension
FB60J100B1	1	1.9"
FB60J100B2	2	3.8"
FB60J100B3	3	5.7"

Figure 6: Class J Cover 30A

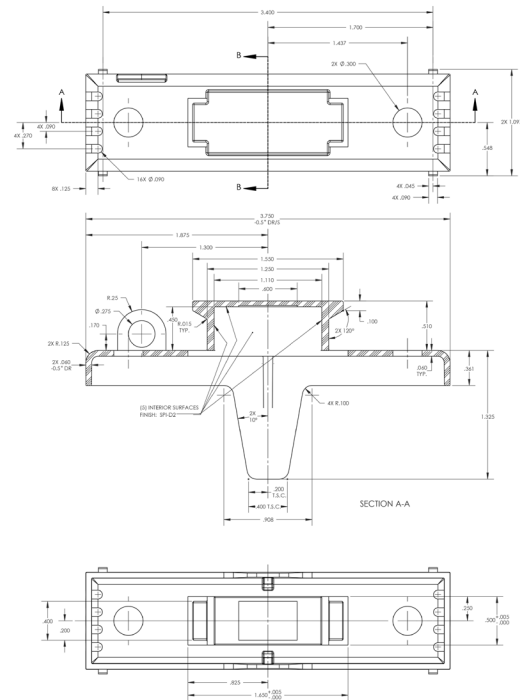


Figure 7: Class J Cover 60A

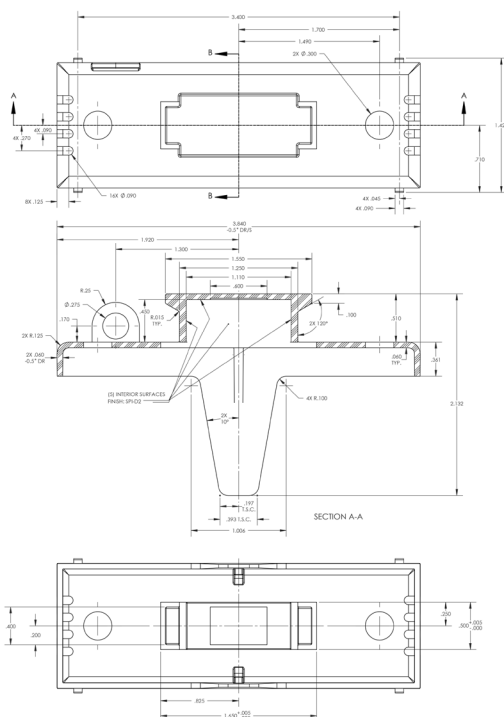
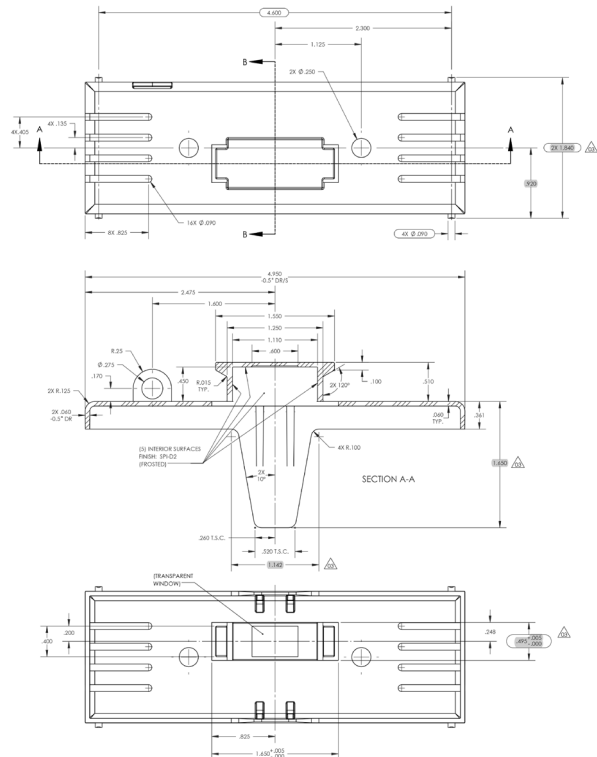


Figure 8: Class J Cover 100A



© 2023 Mersen. All rights reserved. Mersen reserves the right to change, update, or correct, without notice, any information contained in this datasheet.