

ZERO-MAX

V47 Composite Disc Coupling Solution



 Wind Turbine Group

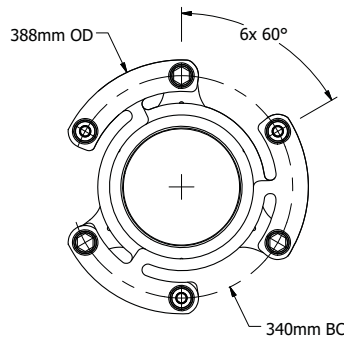
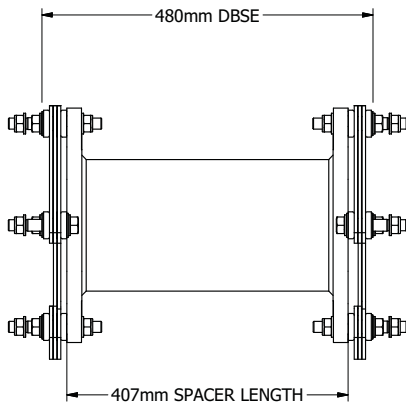
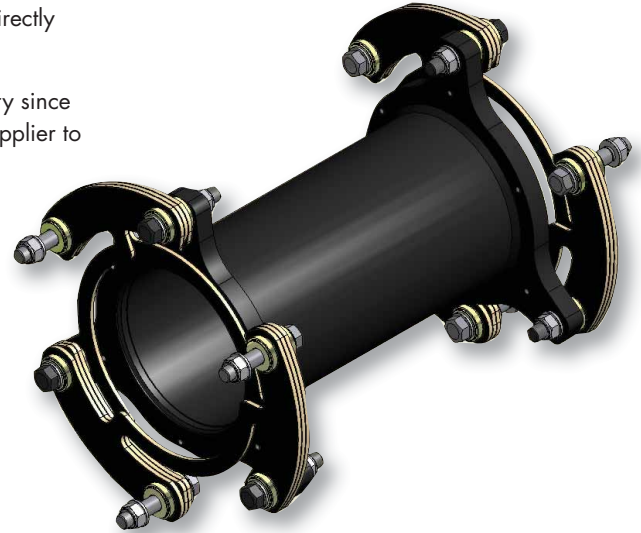
CD[®] Composite Disc V47 Wind Turbine Coupling

Zero Max Composite Disc Wind Turbine Couplings are designed to exceed the typical operational life of a normal driveline coupling. This model will directly interchange with the original high speed shaft coupling.

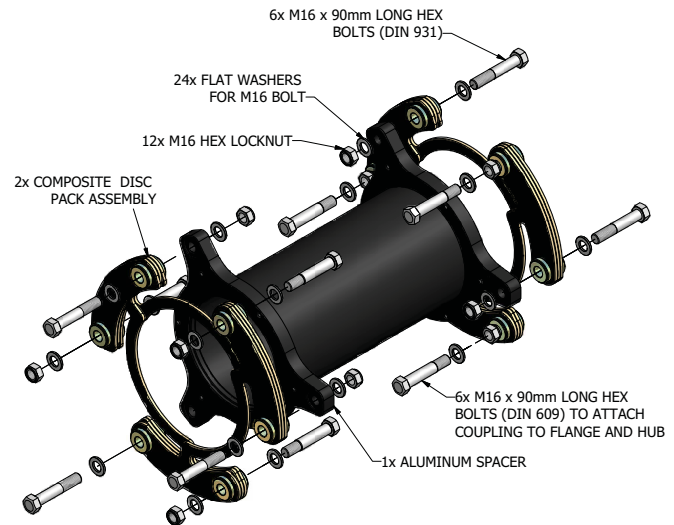
Zero-Max has designed and manufactured driveline couplings for industry since 1984. Today, Zero-Max is a trusted and approved driveline coupling supplier to Wind Turbine Manufacturers around the globe.

We understand the special requirements for this unique industry.

- Lower Life Cycle Cost (LCC)
- Composite material is designed and tested to withstand a wide range of environmental conditions
- Fully tested and refined to handle loads beyond the needs of the application
- Lightweight design for easy installation – drops in between the existing flanges
- Repeatable consistent quality
- Suitable for use in turbines that are operating in areas with difficult power grid conditions
- Maintenance free



Performance Information	
Continuous Torque Rating	5,000 Nm
Peak Torque Rating	10,000 Nm
Torsional Stiffness	9,768 Nm /Degree
Axial Stiffness	138 N / mm
Maximum Parallel Misalignment	11.5mm
Maximum Angular Misalignment	1.5 Degrees
Maximum Axial Displacement	5mm



www.zero-max.com
 Phone 800.533.1731 763.546.4300
 Fax 763.546.8260



www.zero-max.dk
 Tel.: +45 86 81 22 88
 Fax: +45 86 81 53 88

ISO 9001:2000 Certified
 U.S. Manufacturing Facility



ISO 9001:2000 Certified
 Denmark Manufacturing Facility

