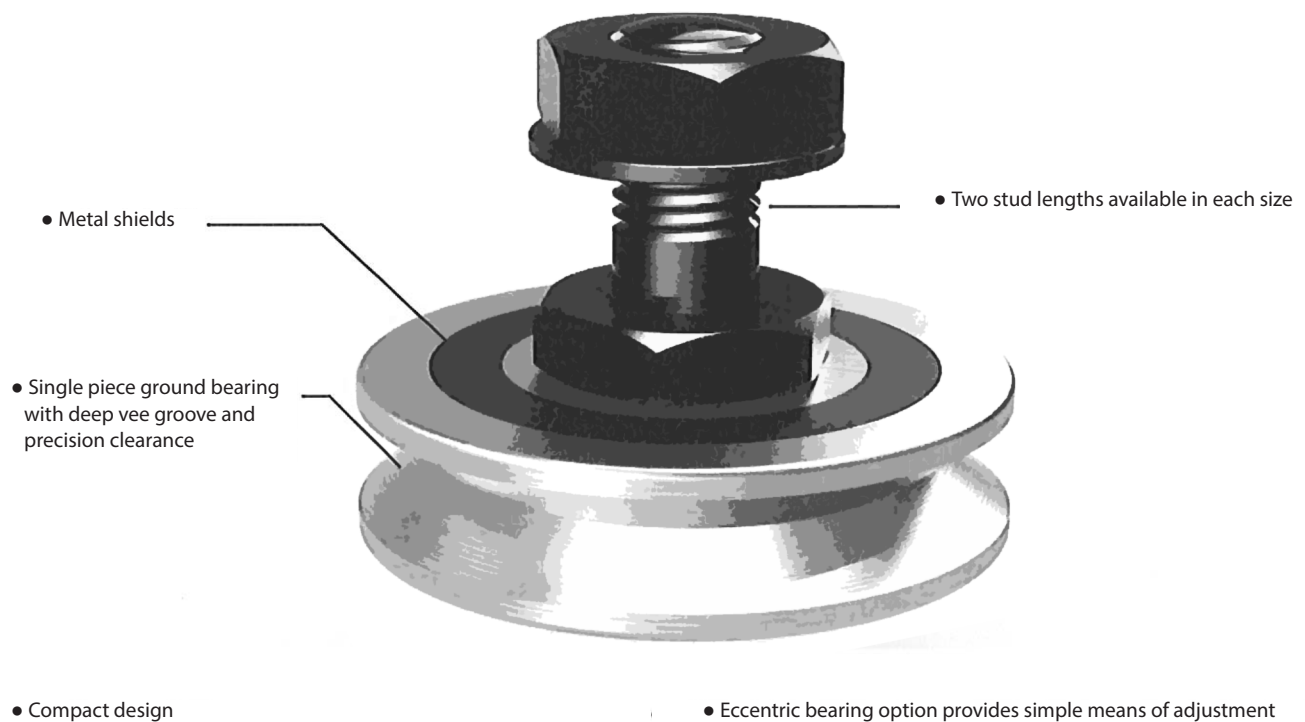


EconoMotion®

HepcoMotion EconoMotion® is an economical range of vee bearings for use in medium duty linear and rotary applications. The vee bearings incorporate a deep groove precision ground ball bearing with vee profile in the outer race. The bearings are provided with metal shields and are lubricated for life. The integral fixing studs are manufactured from 45 ton condition high tensile steel supplied chemically blacked.

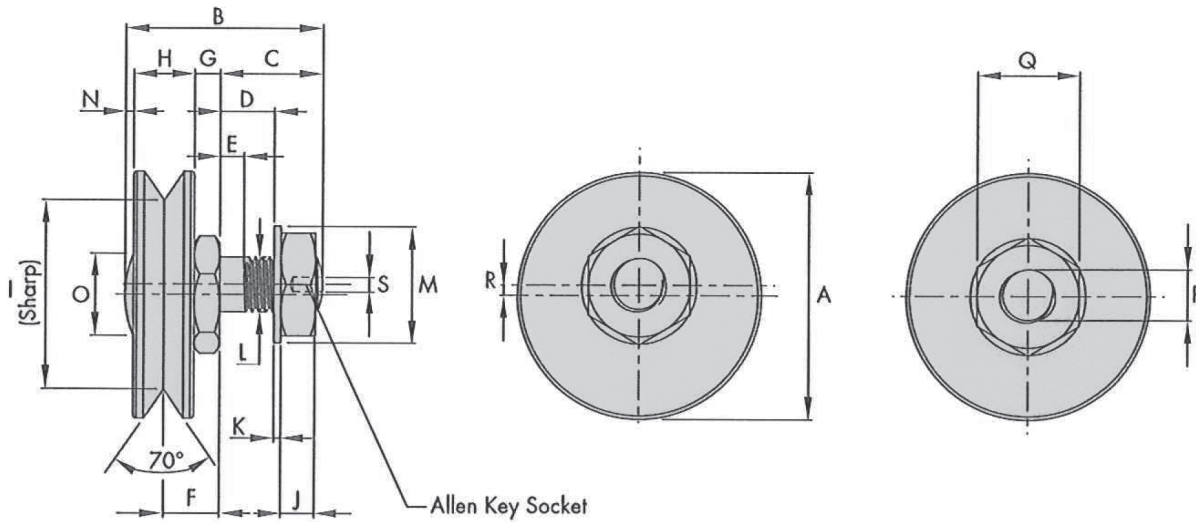
EconoMotion® bearing



How to Order

Questions? Please call directly: [888.580.8272](tel:888.580.8272) | email: info@bwc.com

EconoMotion®



Short stud (SJ) / Long stud (LJ)

Eccentric (E)

Concentric (C)

PART NO.		A	B	C	D	E	F +0.03/-0.05	G	H	I Theoretical Sharp	J	K
SJ	265C/E	26.5	25.5	14	8	3	6.8	3.3	7	19.98	5	0.8
LJ	265C/E		32.5	21	15	6						
SJ	360C/E	36	29	15	8	4	8.3	3.8	9	27.57	5	1.0
LJ	360C/E		41	27	20	8						
SJ	580C/E	58	47	24	14	6	14.3	7.3	14	46.08	7	1.6
LJ	580C/E		58	35	25	12						

PART NO.		L	M	N	O	P +0.00/ -0.03	F +0.03/ -0.05	Eccentric Only		Adjusting Wrench	Socket Tool	MASS ~ g
								R	S			
SJ	265C/E	M6X0.75	1.0	1.0	1.0	1.0	13	1.3	2.5	AS7	RT6	29
LJ	265C/E											31
SJ	360C/E	M8X1.0	1.2	1.2	1.2	1.2	15	1.5	3	AS10	RT8	65
LJ	360C/E											68
SJ	580C/E	M12X1.5	2.4	1.5	23.5	12	30	1.7	5	AS20	RT12	290
LJ	580C/E											298

Ordering Details

Simply specify the part numbers and quantities required.

Example: 2 x LJ265E — Long stud eccentric bearing assembly

2 x LJ265C — Long stud concentric bearing assembly

Notes:

1. Recommended drilling sizes for mounting bearing assemblies, are nominal 'P' dimension (refer to chart) +0.1mm
2. EconoMotion bearings are compatible with 70 degree vee linear slides from the HepcoMotion GV3 range, and ring slides from the PRT2 range. The user should select components whose vee sizes are compatible.