

GAM Spiral Bevel Gearboxes

**CONFIGURABLE
RELIABLE
ECONOMICAL**



GAM CAN.

GAM SPIRAL BEVEL GEARBOXES

GAM Spiral Bevel Gearboxes

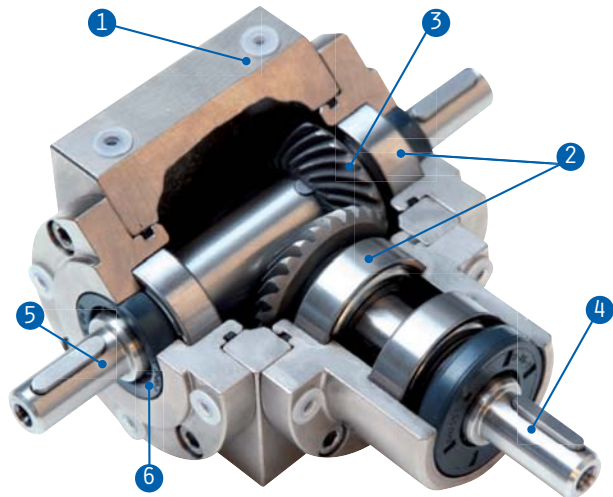
When you need a spiral bevel gearbox that you can count on, choose GAM. Our V Series spiral bevel gearboxes are highly configurable, reliable, and economical right angle solutions designed for use in a wide range of applications.



Features

- Precision cut spiral bevel gears are hardened and then lapped in pairs for ideal tooth contact and torque transmission
- 13 frame sizes with a multitude of shaft configurations, can be oriented in any direction to easily incorporate into your machine design
- Efficiency of 94% to 98%
- Backlash of 10 and 30 arcmin (reduced backlash versions available)
- Torques up to 4,440 Nm (39,297 lb-in)
- Frame sizes from 27 mm (1.06") to 350 mm (13.78")
- Power up to 267 kW (360 hp)

- 1. Housing** Sturdy cast iron housing (Aluminum in sizes 27 mm to 45 mm) - all 6 sides can be used for mounting
- 2. Bearings** Deep groove ball bearings handle axial and radial loading. (Reinforced and taper roller options available)
- 3. Spiral Bevel Gearing** Precision cut, hardened, and lapped in pairs for ideal tooth contact. Mathematically precise ratios from 1:1 to 6:1
- 4. Input** Available with shaft input or integrated motor adapter and coupling to easily mount to any IEC, NEMA, or servo motor
- 5. Output** Solid shaft with key or keyed hollow shaft are standard. (Smooth shaft or shrink disc clamping available)
- 6. Seals** Lubricated for life and protected with high quality NBR seals. (Viton® and FPM seals available)



Special Options for Special Applications

From stainless steel shafts, electrolytic nickel coated housings, VITON® seals, to NOTOX® lubrication, GAM V-Series can be designed for use in industries that have strict requirements including pharmaceutical, medical, chemical, and food processing. For applications in explosive environments, ATEX compliant gearbox solutions can be configured.



Performance Plus VP Series Miniature Gearboxes

The **Performance Plus VP Series** packs high performance in a small package with the highest torque density, range of ratios, and torque capacity on the market.

- Sizes **27, 33, and 45 mm**
- Highest torque density for the size
- More ratios for the size: 1:1 to 4:1
- High efficiency 98%
- Nominal torque capacity of 1.3 to 16 Nm
- Hollow shaft output option (33 & 45 mm)
- High-strength aluminum housing
- Sealed and lubricated for life with synthetic oil
- VPC Series with integrated motor mount
- Ideal for medical and semiconductor applications



[Add a planetary gearbox or motor adapter to the input](#)



Miniature Applications

Our **miniature V Series** and **VP Series** are the best option available on the market for all your miniature automation applications, such as **medical** and **semiconductor**, when high performance is required and space is at a premium.

The housings are manufactured from high-strength aluminum for a gearbox that is light weight, dissipates heat efficiently, and resists corrosion.

Adaptable to Any Application

Whether you need to multiply torque, decrease or increase motor speed, or simply turn a right angle, the modular design of our spiral bevel gearboxes means that they can be configured for virtually any application.

Power Transmission High quality and durability for reliable power transmission

Motion Control Precision positioning and an integrated motor mount and coupling for easy and economical motion control

Shaft Input

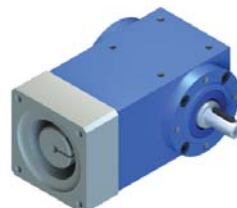


V-Series
(35 to 350mm)



VP-Series
(27 to 45 mm)

Integrated Motor Mount Input



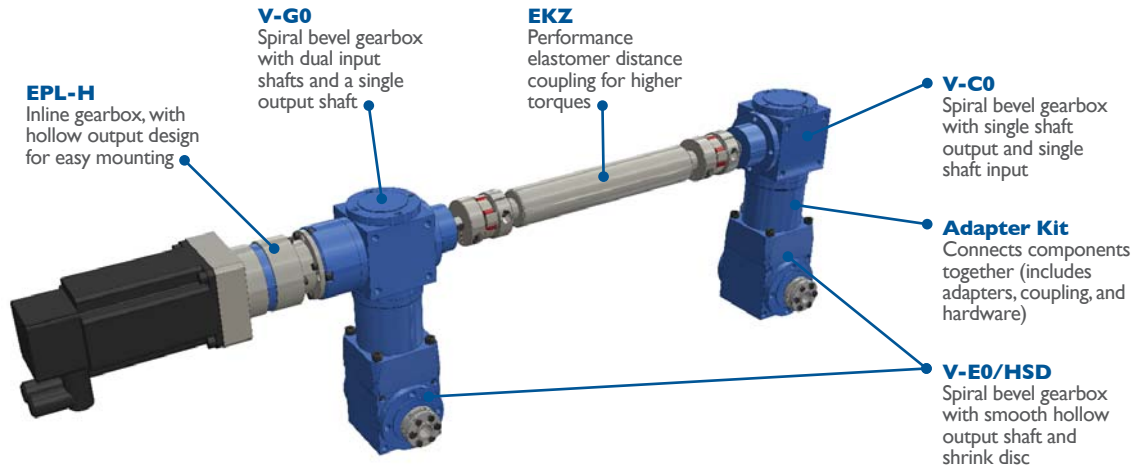
VC-Series
(35mm to 200mm)



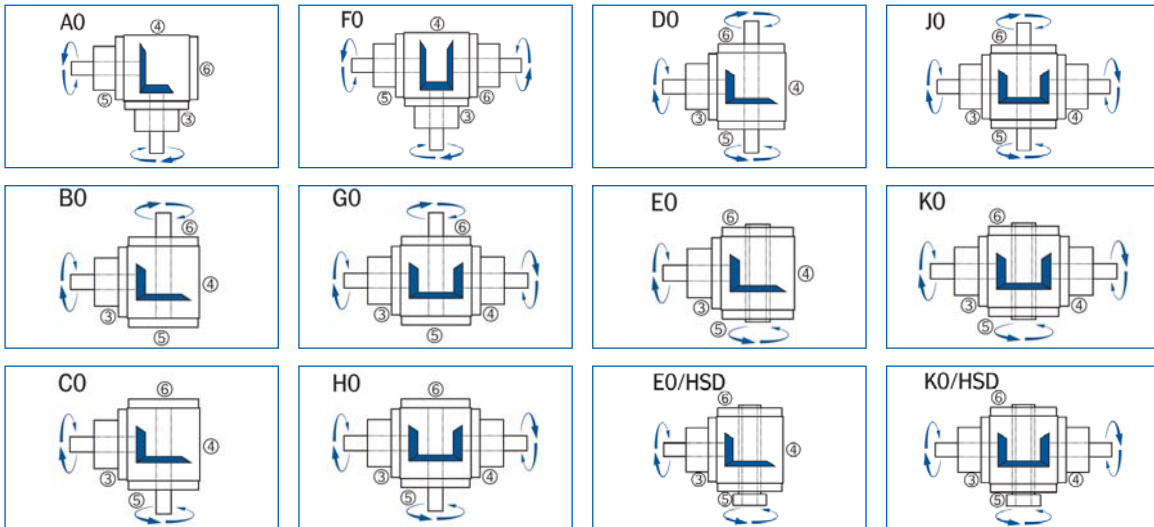
VPC-Series
(27 to 45 mm)

GAM SPIRAL BEVEL GEARBOXES

Solution Example - Lift System



Shaft Configurations



VP available in B0, C0, D0, G0, H0, J0, E0/HSD and K0/HSD configuration



GAM is your complete source for Gear Reducers, Servo Couplings, and other precision mechanical drive solutions used in automation technology.

With one of the largest product offerings in the motion control industry as well as the engineering expertise and manufacturing capabilities to develop customized solutions, GAM can help with your application.

Being flexible to meet the needs of customer requests and great service are what set us apart from the rest.

GAM Can.

GAM Enterprises, Inc.

801 E. Business Center Drive | Mt. Prospect, IL 60056
Toll-Free: 888.GAM.7117 | Ph: 847.649.2500 | Fax: 847.649.2501
www.gamweb.com | info@gamweb.com

Copyright © 2018 GAM | gam_br_gr_v-vp_0618

Courtesy of Steven Engineering, Inc - (800) 258-9200 - sales@steveneng.com - www.stevenengineering.com