

PATLITE[®]

Wireless Control System
WIO Series

Easy Remote Notification With Wireless Control



OUTPUT

INPUT



RoHS
10

CE

c **UL** US

UK
CA

www.patlite.com

Reliable Wireless Communication and Control with Bluetooth®

No PC or Software Setup Required

1

Trigger Warning Lights, Indicator Lights,

Switches, Relays, and More



INPUT

Input from Switches, Relays
Outputs from Sensors
and More



Transmitter



2

Mirror Device Status by Adding LED Modules!



Easily Add
LED Units.

Wireless coverage of up to 100 meters in line of sight, with a relay function enabling long-range communication of up to 400 meters!

Voice Annunciators, Alarms, and more!



Warning Lights, Indicator Lights
Voice Annunciators, Alarms
and More



**Safety
Precautions**

For equipment and devices where there is concern about serious accidents that could affect human life or property, please refrain from use.
In facilities where medical telemetry equipment is used, there is a possibility of malfunctions or interference due to radio waves, so please be cautious.
When using this product in equipment, machinery, control systems, etc., and designing the system, please consider redundancy.
Please use this product correctly after fully understanding the precautions described in this manual and the user manual.

Simple Notification System

Plug & Play for Easy Start

To initiate pairing between the transmitter and receiver units, simply power them on. With no requirement for PC or software configuration, the WIO is ready for immediate use. The wireless range is up to 100 meters in line of sight.

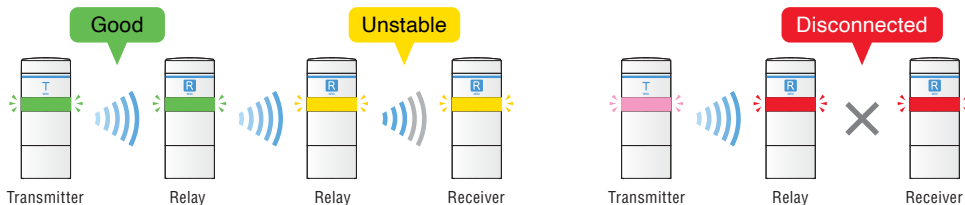


Reliable Wireless Communication

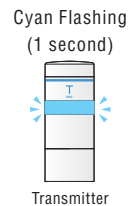
Guaranteed long-distance communication with Bluetooth® technology.

Monitor the communication status by checking the indicator colors.

Communication Status



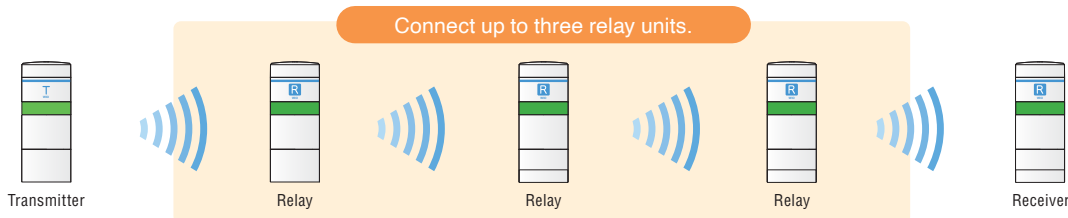
Answer Back



Relay Function

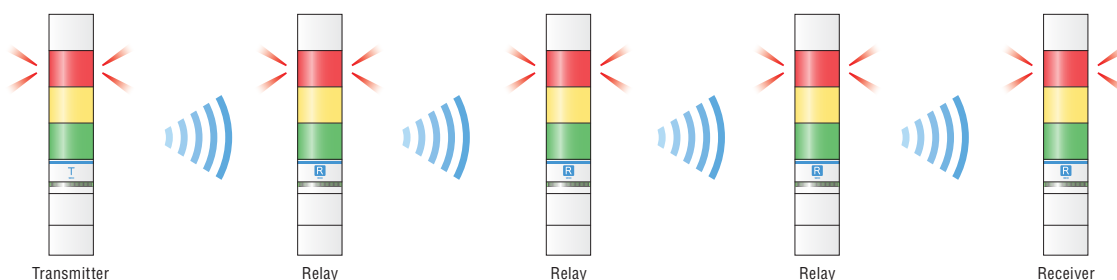
Use the receiver as a relay* to extend the wireless range up to 400 meters.

*Change functions via DIP switch



Other Usage Suggestions

You can also use the relay function to have the same output capability as the receiver.



Easy Setup

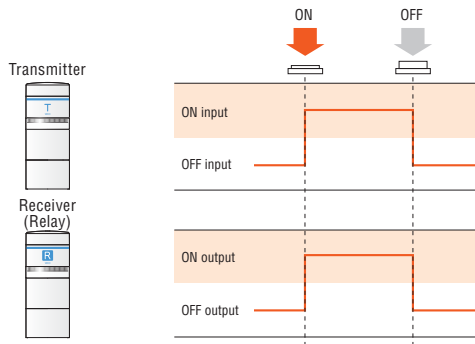
Easily configure settings with the main unit's settings switch.

■ Group ID Configuration

Operate up to 8 groups within the same area.

■ Level Mode

Synchronize the receiver or relay's ON/OFF output with the transmitter's ON/OFF input.

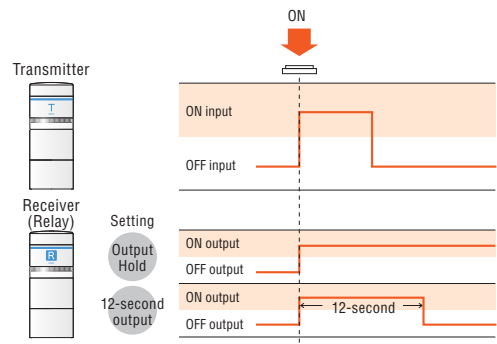


■ Input Logic Switching

Selectable between A Contact Input / B Contact Input.

■ One-Shot Mode

Set the receiver's output hold time (output hold / 12-second output).



Connectable Notification Devices

For connection with light

SKS-M1	SKH-M1	SKP-M1
SF-M1	SL-M1	LFH-12
LFH-24	RLR-M1	LR10-02
LA6-D	NE-A	NE-M1ATB-M



For connection with sound or a buzzer

BSV-N	BD-24A
BDV-15JF	BK-24A
BKV-31JF	EHS-M1
EHV-M1	



For connection with both light and sound

LKEH-02	LKEH-02FV
RT-24*	RT-24VF*
RFT-24	RFV-24F



*AC adapters (PWS-AD, ADP-001C) cannot be used as power input.

▲ The products listed here have wiring examples in the user manual.

Non-Voltage Contact Output	Relay Output, 1a Contact
Max Voltage: 35V DC	Contact Rating: 30V DC, 3.0A
Max Current: 250mA	

Improvement Examples

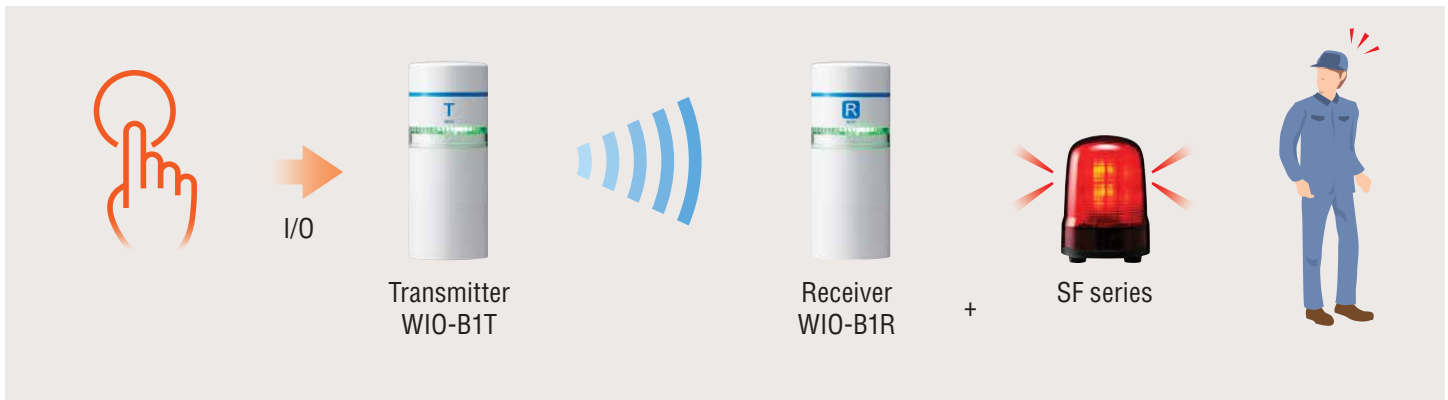
Call for Action System

Customer Challenges

In the event of unexpected shutdowns beyond operator control, maintenance personnel are required to resolve the problem. However, they may not be in their office or in close proximity and locating them causes costly delays.

Suggested Recommendations

By installing a wireless call light system, maintenance can be notified even in remote locations on site for immediate response.



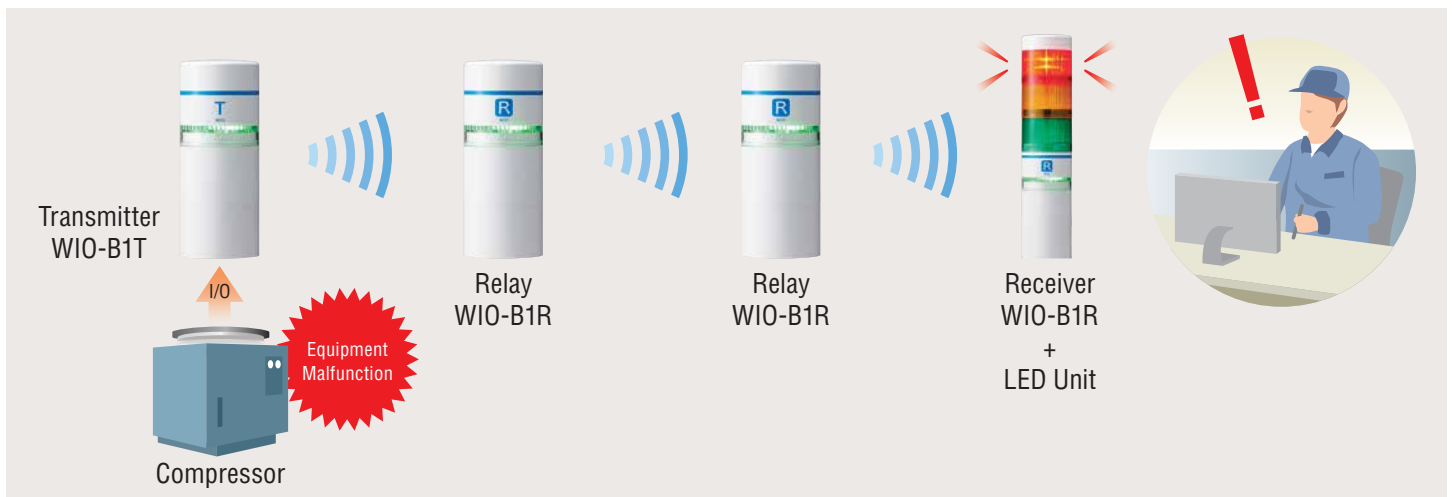
Error Notifications of Utility Equipment

Customer Challenges

Errors and malfunctions of utility equipment located in inconspicuous areas of the factory are difficult to notice, and they only become apparent when they affect production equipment.

Suggested Recommendations

Using relays is a cost-effective method to render the statuses of equipment more visible in inconspicuous areas, ensuring they are easily noticed and not forgotten.



Visualization of Equipment in Blindspots

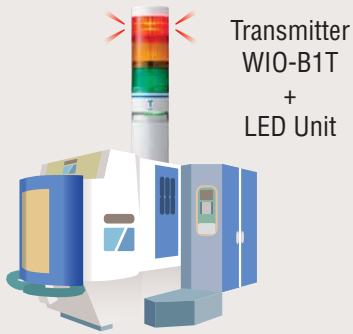
Customer Challenges

Poor visibility from the on-site office prevents staff from seeing the equipment operation status. This leads to delayed responses to processing completion and equipment shutdown, resulting in decreased productivity.

Suggested Recommendations

By installing signal lights that mirror the equipment in a visible location from the on-site office, response times to issues and problems improve to maximize productivity and efficiency.

Equipment in Blindspot



Mirroring Facility Status at the Site Office



Blindspot Alert System

Customer Challenges

Pedestrians may not be conscious of an oncoming forklift posing a potential collision risk with the forklift operator and other pedestrians.

Suggested Recommendations

Implementing the WIO system that triggers both audible alarms and visual signals when a forklift is approaching can effectively notify the forklift operator and pedestrians, contributing to the proactive prevention of accidents.

Vehicle approaching!

*Sample Messages



LKEH-FV

Receiver
WIO-B1R







Transmitter
WIO-B1T

I/O
Sensor



Specifications

	Transmitter	Receiver (Relay)	Receiver + LED Unit	Andon Kit
				
Model	WIO-B1T	WIO-B1R	WIO-B1R-RYG	WIO-B1S-001
Rated Voltage	12-24V DC (24V DC when LED unit or buzzer unit is installed)			
Input/Output	7 points (1 point dedicated to buzzer)/None	1 point/5 points (no-voltage contact output) 1 point (relay output)	1 point/5 points (no-voltage contact output) 1 point (relay output)	Transmitter: 7 points (1 point dedicated to buzzer)/None Receiver: 1 point/5 points (no-voltage contact output) 1 point (relay output)
Protection Rating	IP65 (IEC 60529), TYPE 4X,13 (NEMA, UL50E) Upright			
Main Body Dimensions/ Mounting	Φ60×Height 147mm/M4×3 points			
Mounting Location/Direction	Indoor/Upright			
Wireless Specifications				
Communication Standard	Bluetooth® 5.0(Bluetooth Low Energy)			
Communication Range	Line of sight approximately 100m (reference value)			
Communication Configuration	Transmitter:Receiver = 1:1			
Group ID Configuration	Up to 8 groups can be configured			
Relay Function	-	✓ (up to 3 units/1 group)		

Optional Parts

Desktop Platform
SZW-003W



LED Unit
LR6-E-R/Y/G/B/C



LED Unit (Clear Lens)
LR6-E-RZ/YZ/GZ/BZ



Wall Mounting Bracket
SZK-003 W, SZK-001U*1

Threaded Poles
POLE22-□AT, POLE22-□AN (Usable only when installed with SZP-003W) Choose from 100 or 300.

LED Unit (Multi Color)
LR6-E-MZ



Buzzer Unit
LR6-BW



Universal AC Adapter
ADP-001C*4



Circular Multi-Pitch Bracket
SZP-001W*2, SZP-002U*2, SZP-003W*2, SZW-001W

Folding Bracket
SZQ-001W*2

L-bracket
SZL-001*3

Desktop Platform
SZW-002W

*1 Used only when mounted on POLE22-□AT, POLE22-□AN *2 Used only when mounted on POLE22-□AN

*3 Used only when mounted on POLE22-□AT *4 Comes with a global-compatible conversion adapter

PATLITE Corporation

PATLITE (U.S.A.) Corporation

PATLITE MEXICO S.A. de C.V.

PATLITE Europe GmbH

PATLITE UK LTD

PATLITE (CHINA) Corporation

PATLITE KOREA CO., LTD.

PATLITE TAIWAN CO., LTD.

PATLITE (THAILAND) CO., LTD.

PATLITE (SINGAPORE) PTE LTD

PT. PATLITE INDONESIA

www.patlite.com

●PATLITE, the PATLITE logo are either registered trademarks or trademarks of PATLITE Corporation in JAPAN and/or other countries.

CAUTION

To ensure correct use of these products, read the "Instruction Manual" prior to use. Failure to follow all safeguards can result in fire, electric shock, or other accidents. Specifications are subject to change without notice.

O-BC08 EN 2401 A PLUS