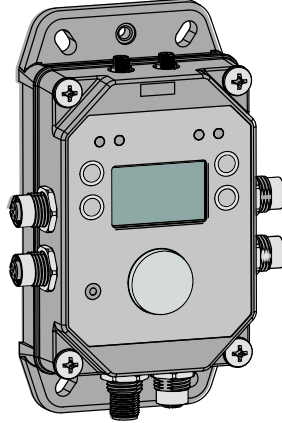


DXM1200-X2 Features

The DXM1200-X2 Controller is an industrial controller that uses wired and wireless networks to facilitate Industrial Internet of Things (IIoT) applications. As a communications gateway, this controller consolidates, processes, and distributes data using industrial or web service protocols by interfacing with local serial ports and local ISM radio devices.



- **High-Performance Wireless Communication**—Uses Sure Cross® DX80 Wireless Gateway or MultiHop radio with 900 MHz or 2.4 GHz ISM bands available for long-range communication
- **Flexible and Customizable**—Uses internal logic controller with action rules and ScriptBasic programming capable of developing simple or complex solutions to process, log, and control data to/from multiple wireless sensor radios and wired sensor devices
- **Easy Installation in all Environments**—IP67 housing makes installation in any location simpler by eliminating the need for a control cabinet
- **Improved Speed and Memory**—Internal processor provides 2850 32-bit integer registers, 2000 floating-point registers, and 1050 non-volatile 32-bit integer registers; expanded ScriptBasic programming capability for faster script processing and ability to build more complex solutions with scripts
- **External Communications**—Optional cellular modem with an external antenna for Internet connectivity
- **Industry Compatibility**—Configurable controller works with a wide range of Modbus devices; quickly deploy Modbus server device data to EtherNet/IP™, Modbus® TCP, or PROFINET® networks
 - Four independent Modbus client ports increase simplicity and decrease deployment time for co-located assets
 - Up to four Modbus server devices can be used without needing to manually assign a server address to the connected devices
- **Cloud Connectivity**—Visualize data and set alarms by sending data from the controller to BannerCDS.com or third-party Internet sites
- **Customizable Alerts**—Secure email and SMS (text) alerts when using Banner Cloud Data Services (CDS)
- Data logged to an embedded flash memory chip
- Interactive programmable user interface with LCD and LED indicators
- Industry-standard RS-485, Ethernet, and USB communication ports

DXM1200-X2 Models Key

Model Family	Base	-	Base	Radio Configuration
DXM1200		-	X2	R1
	Blank - Low-profile housing One 4-pin female M12 D Code Ethernet connector Four female M12 connectors for Modbus client connections One 5-pin male M12 power and RS-485 connector		X2 - Modbus controller for data aggregation of sensors and wireless networks with external ISM and cellular antennas	Blank - None R1 - 900 MHz, 500 mW PE5 Performance Radio (North America) R2 - 900 MHz, 500 mW HE5 MultiHop Data Radio (North America) R3 - 2.4 GHz, 65 mW PE5 Performance Radio (Worldwide) R4 - 2.4 GHz, 65 mW HE5 MultiHop Data Radio (Worldwide)

Custom products are available and are designated with a 6-digit number following the standard model number, such as **DXM1200-X2R1-123456**. For more information about ordering a product customized for your specific needs, contact Banner Engineering Corp.

Some example models include, but are not limited to, the following:

Models	Description
DXM1200-X2	DXM1200-X2 Wireless Controller without a DX80 ISM radio

Continued on page 2

Continued from page 1

Models	Description
DXM1200-X2R1	DXM1200-X2 Wireless Controller with DX80 ISM 900 MHz radio
DXM1200-X2R2	DXM1200-X2 Wireless Controller with DX80 ISM 900 MHz MultiHop radio
DXM1200-X2R3	DXM1200-X2 Wireless Controller with DX80 ISM 2.4 GHz radio
DXM1200-X2R4	DXM1200-X2 Wireless Controller with DX80 ISM 2.4 GHz MultiHop radio

Cellular Communications—Controllers accept Banner LTE-M (CATM1) modems only. Cellular modems are ordered separately as accessories under the following part numbers:

- LTE CAT-M1 AT&T (North America only): **SXI-CATM1ATT-001**
- LTE CAT-M1 Verizon (United States only): **SXI-CATM1VZW-001**
- LTE CAT-M1/NB-IoT Multi-Carrier (Europe only): **SXI-CATM1WW-001**

For more information, refer to the technical note [Activating a Cellular Modem](#) (p/n 205026).

DXM1200 Documentation

- DXM Wireless Controller Sell Sheet, p/n [194063](#)
- DXM1200-B1 Wireless Controller Datasheet, p/n [196719](#)
- DXM1200-B2 Wireless Controller Datasheet, p/n [238977](#)
- DXM1200-X2 Wireless Controller Datasheet, p/n [238978](#)
- DXM1200-Bx Wireless Controller Instruction Manual, p/n [216539](#)
- DXM ScriptBasic Instruction Manual, p/n [191745](#)
- DXM Controller Configuration Quick Start, p/n [191247](#)
- DXM Configuration Software v4 (p/n [b_4496867](#))
- DXM Configuration Software Instruction Manual, p/n [209933](#)
- DXM EDS [Configuration file](#) for Allen-Bradley PLCs
- [Activating a Cellular Modem](#) (p/n [b_4419353](#))
- Additional technical notes and videos

For more information about the DXM1200 family of products, including technical notes, configuration examples, and ScriptBasic program examples, please refer to the Banner website: www.bannerengineering.com

DXM1200-X2 System Overview

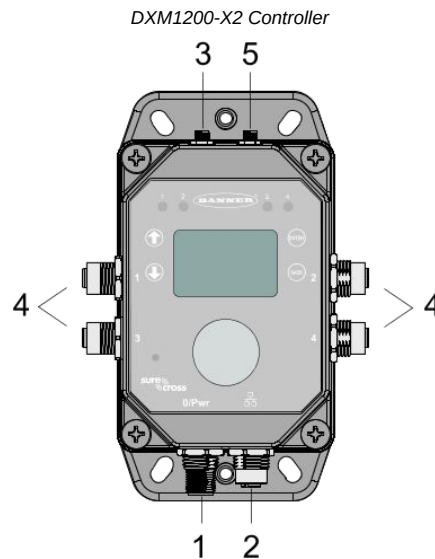
Banner's DXM Logic Controller consolidates data from multiple sources using serial Modbus and local wireless networks to provide data processing as well as accessibility for host systems as a platform for the Industrial Internet of Things (IIoT).

The DXM1200-X2 contains four individual Modbus clients and one wireless gateway allowing for concurrent communication with up to five independent networks. Data is collected into the internal logic controller to facilitate edge processing, protocol conversion to industrial Ethernet, and pushing information to Web servers.

Inputs and Outputs	Connectivity	Logic Controller	User Interface
N/A	Cellular	Action rules	LCD screen
	Sure Cross® radios	Programming language	LED indicators
	Ethernet	Scheduler	RGB indicator
	Internal micro USB	Push to the cloud	
	RS-485 Client	Data logging	

Modbus registers for internal local registers (Modbus ID 199)

Local Registers	Type	Description
1–845	32-bit integer	Local data registers
846–849	32-bit integer	Reset, Constant, Timer
851–900	32-bit non-volatile integer	Data flash, non-volatile
901–1000		Reserved for internal use
1001–5000	Floating point	Floating point registers, local data registers
5001–7000	32-bit integer	Local data registers
7001–8000	32-bit non-volatile integer	Data flash, non-volatile
> 10000		Read-only virtual registers, system-level data



Connections include:

1. One male M12 connection that provides common power and ground to all M12 Modbus ports
2. One 100 Mbps Ethernet port (female) that uses an M12 D-coded Ethernet connection (Modbus TCP, EtherNet/IP, PROFINET, and Configuration/discovery port)
3. Cellular antenna connection for 4G LTE-M network connectivity (cellular modem and antenna sold separately)
4. Four Modbus client connections using female M12 connectors (2-wire RS-485 physical transceiver with power/ground at each connector)
5. ISM radio antenna connection for 900 MHz or 2.4 GHz frequency

Connectivity—The DXM1200-X2's wired and wireless connectivity options make it easy to share data between local and remote equipment. The cellular modem option eliminates the need for IT infrastructures to connect remote equipment for sensing and control to IIoT cloud services. The integrated Sure Cross® wireless radio enables Modbus connectivity to remote sensors, indicators, and control equipment. Connect directly to any PLC and/or SCADA system for easy integration into existing control or monitoring systems. Banner Industrial Wireless radios have two types of networks that can be used for creating applications and solving problems.

Wired Connectivity

Ethernet: Modbus/TCP (client/server) or Ethernet/IP
Field Bus: Modbus RS-485 Client

Wireless Connectivity

Sure Cross Wireless Radio: DX80 900 MHz, DX80 2.4 GHz, MultiHop 900 MHz, or MultiHop 2.4 GHz
Cellular modem: LTE-M (United States) or LTE-M/NB-IoT (outside the United States)

Wireless Radio Networks

Performance Wireless Radio Network

Star topology (point-to-point between Gateway and Node radios)
Battery-powered Node applications are more efficient in a star topology
Six inputs and six outputs maximum per radio

MultiHop Wireless Radio Network

Tree topology between one client radio and many repeater and/or server radios
Repeater radios add effectively unlimited radio network range
Full Modbus sensor register data collection as well as typical local I/O like discrete, analog, etc.

Logic Controller—Program the DXM1200-X2's logic controller using action rules and/or ScriptBasic language, which can execute concurrently. The control functions allow freedom when creating custom sensing and control sequences. The logic controller supports the Modbus protocol standards for data management, ensuring seamless integration with existing automation systems. File and LCD password protection is an option.

Register Mapping

Cyclical Read rules from wireless devices or local wired Modbus devices that include optional scaling, error conditions, and the ability to activate a read rule
Cyclical or change of state write rules to wireless devices or local wired Modbus devices with scaling
Modbus TCP Client read or write rules for external devices on the network

Action Rules

Thresholds (IF/THEN/ELSE) with timers, minimum on/off time, and logging options
Math/Logic Rules (arithmetic and bitwise operators)
Control Logic (logical operators and SR/T/D/JK flip flops)
Trending (multiple averaging filters)
Tracking (counts, on/off times)
Push data on conditions

Scheduler

Time/calendar-based events
 Holiday skips
 One-time events
 Dynamic scheduler updating
 Astronomical clock

User Interface— A simple user interface consists of an LCD screen and four LED indicators.

User programmable LCD

Bind Sure Cross radios
 Conduct a site survey to evaluate the radio signal integrity of radios within the network
 View register and output information
 View system status and configuration

Optional Text Programming Language

ScriptBasic to create variables, arrays, functions, loops, IF/THEN/ELSE, logical and arithmetic operators, API commands, register access, string functions and operators, time commands

Data Logging

Cyclic data/event logging

API Interface

Host Initiated control
 Web service integration

User-Defined LED indicators

Indicates the status of the DXM1200-X2, processes, or equipment

User-Defined RGB indicator

Indicates the status of processes and alarm states

Applications Overview

The DXM1200-X2 Controller is ideal for smart factory and facilities applications, including:

- Productivity solutions, such as
 - Call for parts, service, or maintenance
 - Pick-to-light
 - Tank level monitoring
- Predictive maintenance and continuous monitoring using
 - Vibration and temperature monitoring
 - Non-contact temperature monitoring
- Environmental monitoring and control, such as temperature and humidity monitoring

The DXM1200-X2 Controller can provide visual indication using indicator lights, collect data, and interface with automation systems.

Banner Cloud Data Services (CDS)

With a few easy steps, the DXM can be connected to and share data with Banner's Cloud Data Services. This is a web-based software platform that allows users to access, store, protect, visualize, and export critical data collected by Banner's DXMs.

This software complements our wireless product portfolio and provides customers with complete end-to-end IIoT solutions to solve the most pressing problems of the Industrial market. Visit the Banner CDS site for account access and technical support at www.bannercds.com.

Get Solutions Up and Running Quickly: [Solution templates](#) are available to help implement IIoT solutions with ease—no coding or expertise required. In addition, all elements of a wireless solution from Banner—from sensor to cloud—are purpose-built to work together for easy configuration and use.

Make Better Data-Driven Decisions: The CDS platform is more than a dashboard. The software can provide actionable insights that allow you to solve real challenges on the factory floor by using analytics and visualization tools that range from graphs, gauges, status indicators, and number displays to alarm icons, maps, and tables. Easily organize and manage the health of various assets and processes via customizable layouts that can be constructed for workstation screens or kiosk displays. In addition, the ability to store or export data, and analyze trends over time helps you and the organization make better, data-driven decisions long-term.

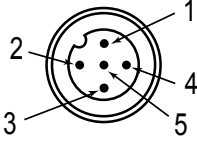
Access the Data You Want and Get the Alerts You Need: Remotely access data anytime and anywhere. On-demand visibility and real-time alerts allow you to remotely monitor and diagnose systems quickly, saving time and cost. Simple data structure allows users to organize assets and facilities in a manner that best serves the needs of the business.

Maximize Uptime and Increase Efficiency: Predictive maintenance is a key capability of Banner's IIoT solutions. The software platform helps you use device data to predict machine maintenance requirements, which reduces unplanned downtime, increases mean time between failure (MTBF), and reduces maintenance costs.


Wiring Power and RS-485 for the DXM1200-X2

Use the following wiring diagrams to wire power and communication to the DXM1200-X2. Connecting power to the communication pins will cause permanent damage.

5-pin M12 male connector wiring

5-pin M12 Male Connector	Pin	Wire Color	Description
	1	Brown (bn)	10 to 30 V DC
	2	White (wh)	RS485 / D1 / B / +
	3	Blue (bu)	DC common (GND)
	4	Black (bk)	RS485 / D0 / A / -
	5	Gray (gy)	Comms Ground

4-pin female industrial Ethernet connector

4-pin Industrial Ethernet Connector (female)	Pin	Wire Color	Description
	1	Black	+ Tx
	2	Red	+Rx
	3	Green	-Tx
	4	White	-Rx

NOTE: Wiring devices incorrectly will cause electrical damage. Do not apply more than 12 Volts on pin 2 or pin 4 for ports 1 through 4.

Specifications

Radio Specifications for Performance and MultiHop (500 mW)

Supplied Antenna

A 2 dB antenna ships with this device. High-gain antennas are available, but the transmit power and range depends on the antenna gain, environment, and line of sight. Always verify your wireless network's range by performing a Site Survey.

Radio Transmit Power (900 MHz, 500 mW radios)

Conducted: 27 dBm (500 mW)
EIRP with the supplied 2 dB antenna: < 36 dBm

Radio Transmit Power (2.4 GHz radios)

Conducted: < 18 dBm (65 mW)
EIRP with the supplied 2 dB antenna: < 20 dBm (100 mW)

Radio Range

900 MHz (500 mW): Up to 5.6 km (3.5 miles) with the supplied 2 dB antenna
2.4 GHz: Up to 3.2 km (2 miles) with the supplied 2 dB antenna

Antenna Minimum Separation Distance

900 MHz (500 mW): 4.57 m (15 ft) with the supplied 2 dB antenna
2.4 GHz (65 mW): 0.3 m (1 ft) with the supplied 2 dB antenna

Antenna Connection

Ext. Reverse Polarity SMA, 50 Ohms
Max Tightening Torque: 0.45 N·m (4 lbf·in)

Spread Spectrum Technology

FHSS (Frequency Hopping Spread Spectrum)

Link Timeout (Performance)

Gateway: Configurable via User Configuration Software
Node: Defined by Gateway

Radio Packet Size (MultiHop)

900 MHz: 175 bytes (85 Modbus registers)
2.4 GHz: 75 bytes (37 Modbus registers)

900 MHz Compliance (SX7023EXT Radio Module)

Radio module is indicated by the product label marking
Contains FCC ID: UE3SX7023EXT: FCC Part 15, Subpart C, 15.247
Contains IC: 7044A-SX7023EXT

2.4 GHz Compliance (SX243 Radio Module)

Radio module is indicated by the product label marking
Contains FCC ID: UE3SX243: FCC Part 15, Subpart C, 15.247
Radio Equipment Directive (RED) 2014/53/EU
ETSI/EN: EN 300 328 V2.2.2 (2019-07) [RED HarmStds]
Contains IC: 7044A-SX243
ANATEL: 03737-22-04042



FCC Part 15 Class A for Intentional Radiators

This equipment has been tested and found to comply with the limits for a Class A digital device, pursuant to Part 15 of the FCC Rules. These limits are designed to provide reasonable protection against harmful interference when the equipment is operated in a commercial environment. This equipment generates, uses, and can radiate radio frequency energy and, if not installed and used in accordance with the instruction manual, may cause harmful interference to radio communications. Operation of this equipment in a residential area is likely to cause harmful interference in which case the user will be required to correct the interference at his own expense.

(Part 15.21) Any changes or modifications not expressly approved by the party responsible for compliance could void the user's authority to operate this equipment.

Industry Canada Statement for Intentional Radiators

This device contains licence-exempt transmitter(s)/receiver(s) that comply with Innovation, Science and Economic Development Canada's licence-exempt RSS(s). Operation is subject to the following two conditions:

1. This device may not cause interference.

2. This device must accept any interference, including interference that may cause undesired operation of the device.

Cet appareil contient des émetteurs/récepteurs exemptés de licence conformes à la norme Innovation, Sciences, et Développement économique Canada. L'exploitation est autorisée aux deux conditions suivantes:

1. L'appareil ne doit pas produire de brouillage.
2. L'utilisateur de l'appareil doit accepter tout brouillage radioélectrique subi, même si le brouillage est susceptible d'en compromettre le fonctionnement.

RS-485 Communication Specifications

Communication Hardware (MultiHop RS-485)

Interface: 2-wire half-duplex RS-485

Baud rates: 9.6k, 19.2k (default), or 38.4k via DIP switches;
1200 and 2400 via the MultiHop Configuration Software
Data format: 8 data bits, no parity, 1 stop bit

DXM1200-X2 Specifications

Supply Voltage

12 to 30 V DC (use only with a suitable Class 2 power supply (UL) or a Limited Power Source (LPS) (CE) power supply)

Power Consumption

60 mA average at 24 V

Communication Protocols

Modbus® RTU, Modbus/TCP, Ethernet/IP™, and PROFINET®

EtherNet/IP™ is a trademark of ODVA, Inc. Modbus® is a registered trademark of Schneider Electric USA, Inc. PROFINET® is a registered trademark of PROFIBUS Nutzerorganisation e.V.

Connection

Four integral 5-pin M12 female quick disconnects
One integral 5-pin M12 male quick disconnect
One integral 5-pin M12 female D-Code quick disconnect

Construction

Polycarbonate

Security Protocols

TLS, SSL, HTTPS

Logging

8 GB maximum; embedded flash memory chip

Environmental Specifications (DXM1200)

Operating Conditions⁽¹⁾

-20 °C to +60 °C (-4 °F to +140 °F)

95% maximum relative humidity (non-condensing)

Radiated Immunity: 3 V/m (EN 61000-4-3)

Environmental Rating

IP67

⁽¹⁾ Operating the devices at the maximum operating conditions for extended periods can shorten the life of the device.

Shock and Vibration

All models meet IEC 60068-2-6 and IEC 60068-2-27 testing criteria

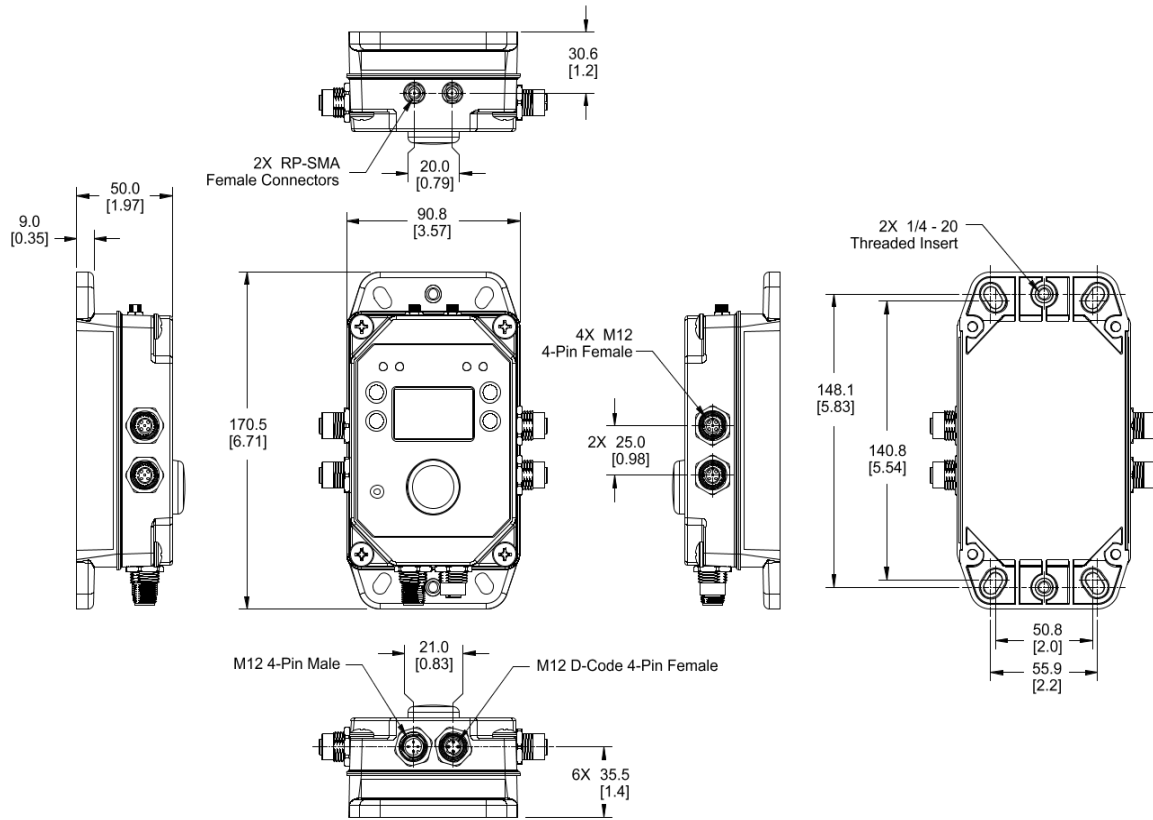
Shock: 30G 11 ms duration, half sine wave per IEC 60068-2-27

Vibration: 10 Hz to 55 Hz, 0.5 mm peak-to-peak amplitude per IEC 60068-2-6

DXM1200-X2 Dimensions

All measurements are listed in millimeters, unless noted otherwise.

DXM1200-X2 dimensions



DXM1200-B2 and -X2 Accessories

For a complete list of all the accessories for the Sure Cross wireless product line, please download the Banner Industrial Wireless Accessories list (p/n [b_3147091](#)).

<p>Cordsets</p> <p>MQDC1-506—5-pin M12, straight, single-ended, 6 ft MQDC1-530—5-pin M12, straight, single-ended, 30 ft MQDC1-506RA—5-pin M12, right-angle, single-ended, 6 ft MQDC1-530RA—5-pin M12, right-angle, single-ended, 30 ft STP-M12D-406—RJ45 to 4-pin Male D-Code M12, Straight, 6 ft STP-M12D-415—RJ45 to 4-pin Male D-Code M12, Straight, 15 ft STP-M12D-430—RJ45 to 4-pin Male D-Code M12, Straight, 30 ft</p>	<p>Power Supplies</p> <p>PSD-24-4—DC Power Supply, Desktop style, 3.9 A, 24 V DC, Class 2, 4-pin M12 quick disconnect (QD) PSDINP-24-06—DC power supply, 0.63 Amps, 24 V DC, with DIN Rail Mount, Class I Division 2 (Groups A, B, C, D) Rated PSDINP-24-13—DC power supply, 1.3 Amps, 24 V DC, with DIN Rail Mount, Class I Division 2 (Groups A, B, C, D) Rated PSDINP-24-25—DC power supply, 2.5 Amps, 24 V DC, with DIN Rail Mount, Class I Division 2 (Groups A, B, C, D) Rated PSW-24-1—DC power supply with multi-blade wall plug, 100–240 V AC 50/60 Hz input, 24 V DC 1 A output, UL Listed Class 2, 4-pin female M12 connector</p>
<p>Cellular Communications—Controllers accept Banner LTE-M (CATM1) modems only. Cellular modems are ordered separately as accessories under the following part numbers:</p> <ul style="list-style-type: none"> LTE CAT-M1 AT&T (North America only): SXI-CATM1ATT-001 LTE CAT-M1 Verizon (United States only): SXI-CATM1VZW-001 LTE CAT-M1/NB-IoT Multi-Carrier (Europe only): SXI-CATM1WW-001 	

Warnings

WARNING:



- Do not use this device for personnel protection
- Using this device for personnel protection could result in serious injury or death.
- This device does not include the self-checking redundant circuitry necessary to allow its use in personnel safety applications. A device failure or malfunction can cause either an energized (on) or de-energized (off) output condition.

IMPORTANT: Please download the complete DXM1200-X2 Controller technical documentation, available in multiple languages, from www.bannerengineering.com for details on the proper use, applications, Warnings, and installation instructions of this device.

IMPORTANT: Por favor descargue desde www.bannerengineering.com toda la documentación técnica de los DXM1200-X2 Controller, disponibles en múltiples idiomas, para detalles del uso adecuado, aplicaciones, advertencias, y las instrucciones de instalación de estos dispositivos.

IMPORTANT: Veuillez télécharger la documentation technique complète des DXM1200-X2 Controller sur notre site www.bannerengineering.com pour les détails sur leur utilisation correcte, les applications, les notes de sécurité et les instructions de montage.

Install and properly ground a qualified surge suppressor when installing a remote antenna system. Remote antenna configurations installed without surge suppressors invalidate the manufacturer's warranty. Keep the ground wire as short as possible and make all ground connections to a single-point ground system to ensure no ground loops are created. No surge suppressor can absorb all lightning strikes; do not touch the Sure Cross® device or any equipment connected to the Sure Cross® device during a thunderstorm.

Exporting Sure Cross® Radios. It is our intent to fully comply with all national and regional regulations regarding radio frequency emissions. **Customers who want to re-export this product to a country other than that to which it was sold must ensure the device is approved in the destination country.** The Sure Cross wireless products were certified for use in these countries using the antenna that ships with the product. When using other antennas, verify you are not exceeding the transmit power levels allowed by local governing agencies. This device has been designed to operate with the antennas listed on Banner Engineering's website and having a maximum gain of 9 dBm. Antennas not included in this list or having a gain greater than 9 dBm are strictly prohibited for use with this device. The required antenna impedance is 50 ohms. To reduce potential radio interference to other users, the antenna type and its gain should be so chosen such that the equivalent isotropically radiated power (EIRP) is not more than that permitted for successful communication. Consult with Banner Engineering Corp. if the destination country is not on this list.

IMPORTANT:

- **Never operate a radio without connecting an antenna**
- Operating radios without an antenna connected will damage the radio circuitry.
- To avoid damaging the radio circuitry, never apply power to a Sure Cross® Performance or Sure Cross® MultiHop radio without an antenna connected.

IMPORTANT:

- **Electrostatic discharge (ESD) sensitive device**
- ESD can damage the device. Damage from inappropriate handling is not covered by warranty.
- Use proper handling procedures to prevent ESD damage. Proper handling procedures include leaving devices in their anti-static packaging until ready for use; wearing anti-static wrist straps; and assembling units on a grounded, static-dissipative surface.

Banner Engineering Corp Limited Warranty

Banner Engineering Corp. warrants its products to be free from defects in material and workmanship for one year following the date of shipment. Banner Engineering Corp. will repair or replace, free of charge, any product of its manufacture which, at the time it is returned to the factory, is found to have been defective during the warranty period. This warranty does not cover damage or liability for misuse, abuse, or the improper application or installation of the Banner product.

THIS LIMITED WARRANTY IS EXCLUSIVE AND IN LIEU OF ALL OTHER WARRANTIES WHETHER EXPRESS OR IMPLIED (INCLUDING, WITHOUT LIMITATION, ANY WARRANTY OF MERCHANTABILITY OR FITNESS FOR A PARTICULAR PURPOSE), AND WHETHER ARISING UNDER COURSE OF PERFORMANCE, COURSE OF DEALING OR TRADE USAGE.

This Warranty is exclusive and limited to repair or, at the discretion of Banner Engineering Corp., replacement. **IN NO EVENT SHALL BANNER ENGINEERING CORP. BE LIABLE TO BUYER OR ANY OTHER PERSON OR ENTITY FOR ANY EXTRA COSTS, EXPENSES, LOSSES, LOSS OF PROFITS, OR ANY INCIDENTAL, CONSEQUENTIAL OR SPECIAL DAMAGES RESULTING FROM ANY PRODUCT DEFECT OR FROM THE USE OR INABILITY TO USE THE PRODUCT, WHETHER ARISING IN CONTRACT OR WARRANTY, STATUTE, TORT, STRICT LIABILITY, NEGLIGENCE, OR OTHERWISE.**

Banner Engineering Corp. reserves the right to change, modify or improve the design of the product without assuming any obligations or liabilities relating to any product previously manufactured by Banner Engineering Corp. Any misuse, abuse, or improper application or installation of this product or use of the product for personal protection applications when the product is identified as not intended for such purposes will void the product warranty. Any modifications to this product without prior express approval by Banner Engineering Corp will void the product warranties. All specifications published in this document are subject to change; Banner reserves the right to modify product specifications or update documentation at any time. Specifications and product information in English supersede that which is provided in any other language. For the most recent version of any documentation, refer to: www.bannerengineering.com.

For patent information, see www.bannerengineering.com/patents.

Notas Adicionales (con Antena)

Información México: La operación de este equipo está sujeta a las siguientes dos condiciones: 1) es posible que este equipo o dispositivo no cause interferencia perjudicial y 2) este equipo debe aceptar cualquier interferencia, incluyendo la que pueda causar su operación no deseada.

Banner es una marca registrada de Banner Engineering Corp. y podrán ser utilizadas de manera indistinta para referirse al fabricante. "Este equipo ha sido diseñado para operar con las antenas tipo Omnidireccional para una ganancia máxima de antena de 6 dBd y Yagi para una ganancia máxima de antena 10 dBd que en seguida se enlistan. También se incluyen aquellas con aprobación ATEX tipo Omnidireccional siempre que no excedan una ganancia máxima de antena de 6dBd. El uso con este equipo de antenas no incluidas en esta lista o que tengan una ganancia mayor que 6 dBd en tipo omnidireccional y 10 dBd en tipo Yagi, quedan prohibidas. La impedancia requerida de la antena es de 50 ohms."

Approved Antennas

- BWA-902-C**--Antena, Omni 902-928 MHz, 2 dBd, junta de caucho, RP-SMA Macho
- BWA-905-C**--Antena, Omni 902-928 MHz, 5 dBd, junta de caucho, RP-SMA Macho
- BWA-906-A**--Antena, Omni 902-928 MHz, 6 dBd, fibra de vidrio, 1800mm, N Hembra
- BWA-9Y10-A**--Antena, Yagi, 900 MHz, 10 dBd, N Hembra

Mexican Importer

Banner Engineering de México, S. de R.L. de C.V. | David Alfaro Siqueiros 103 Piso 2 Valle oriente | San Pedro Garza Garcia Nuevo León, C. P. 66269

81 8363.2714

Document title: DXM1200-X2 Controller Datasheet
Part number: 238978
Revision: A
Original Instructions
© Banner Engineering Corp. All rights reserved.



238978